

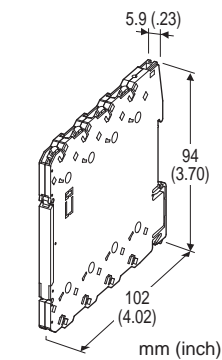
Remote I/O R6 Series

4 - 20 mA INPUT MODULE

(Tension clamp)

Functions & Features

- Compact size remote I/O module for 2-wire transmitter



MODEL: R6S-DS1[1]

ORDERING INFORMATION

- Code number: R6S-DS1[1]

Specify a code from below for [1].

- (e.g. R6S-DS1/Q)
- Specify the specification for option code /Q (e.g. /C01)

[1] OPTIONS

blank: none

/Q: With options (specify the specification)

SPECIFICATIONS OF OPTION: Q

COATING (For the detail, refer to M-System's web site.)

/C01: Silicone coating

/C02: Polyurethane coating

RELATED PRODUCTS

- PC configurator software (model: R6CON)
Downloadable at M-System's web site.
A dedicated cable is required to connect the module to the PC. Please refer to the internet software download site or the users manual for the PC configurator for applicable cable types.

GENERAL SPECIFICATIONS

Connection

Internal bus: Via the Installation Base (model: R6S-BS)

Input: Tension clamp

(Applicable wire size: 0.2 to 2.5 mm², stripped length 8 mm)

Internal power: Via the Installation Base (model: R6S-BS)

Housing material: Flame-resistant resin (black)

Isolation: Input to internal bus or internal power

Zero adjustments: PC programming

Span adjustments: PC programming

Module address: Selectable with DIP and rotary switches on the side

Configuration mode: With DIP switches on the side panel

Power indicator: Green LED; Refer to the instruction manual for details.

Status indicator: Bi-color (red/green) LED; Refer to the instruction manual for details.

SUPPLY OUTPUT

(across the terminals 3 - 4)

Output voltage: 24 - 28 V DC with no load

19 V DC min. at 20 mA

Current rating: ≤ 22 mA DC

Permissible leadwire resistance:

$R_L \leq ((19 - \text{min. XMTR Operational Voltage}) V \div 0.02 A) \Omega$

- **Shortcircuit Protection**

Current limited: 45 mA max.

Protected time duration: No limit

INPUT SPECIFICATIONS

■ **DC Current:** 4 - 20 mA DC

Input resistance: 250 Ω resistor incorporated

INSTALLATION

Current consumption: 55 mA

Operating temperature: -10 to +55°C (14 to 131°F)

Operating humidity: 30 to 90 %RH (non-condensing)

Atmosphere: No corrosive gas or heavy dust

Mounting: Installation Base (model: R6S-BS)

Weight: 60 g (2.1 oz)

PERFORMANCE

Conversion rate (PC programmable. Factory set to 80 msec.)/conversion accuracy:

10 msec./±0.8 %

20 msec./±0.4 %

40 msec./±0.2 %

80 msec./±0.1 %

Data range: 0 - 10000

Data allocation: 1

Temp. coefficient: ±0.01 %/°C (±0.006 %/°F)

Response time: Conversion rate × 2 + 50 msec. or less

Line voltage effect: ±0.1 % over voltage range

Insulation resistance: ≥ 100 MΩ with 500 V DC

Dielectric strength: 1500 V AC @ 1 minute
(input to internal bus or internal power to ground)

STANDARDS & APPROVALS

EU conformity:

EMC Directive

EMI EN 61000-6-4

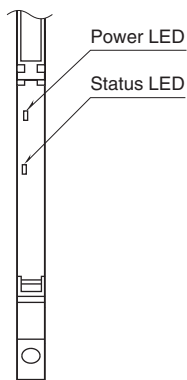
EMS EN 61000-6-2

RoHS Directive

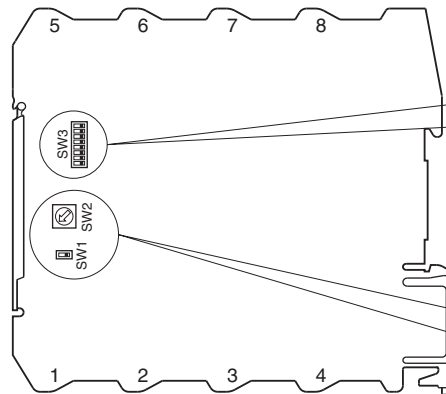
EN 50581

EXTERNAL VIEW

• Front View (cover opened)



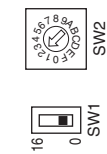
• Side View



Operating Mode Setting

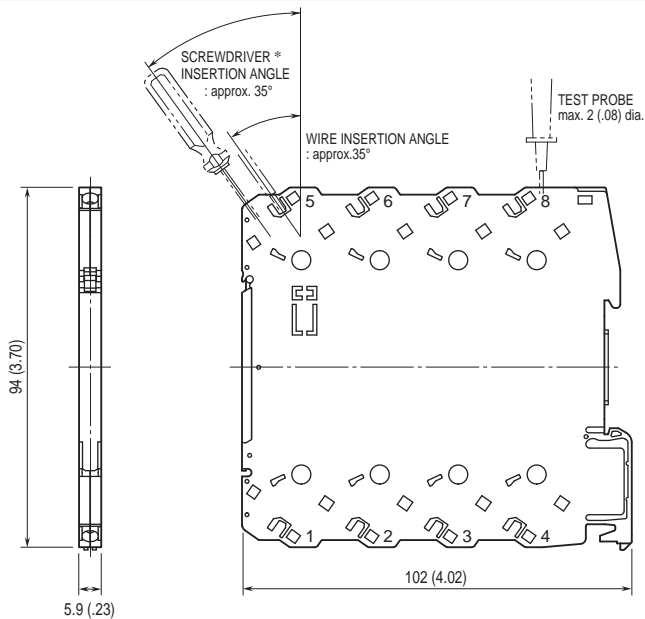


Module Address Setting



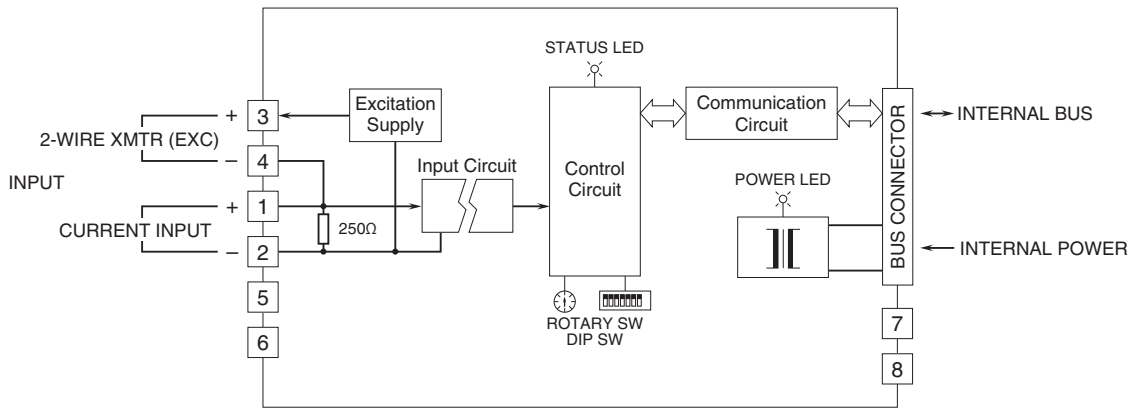
Refer to the instruction manual for setting procedures.

EXTERNAL DIMENSIONS & TERMINAL ASSIGNMENTS unit: mm (inch)



*Use a minus screwdriver: tip width 3.8 mm max., tip thickness 0.5 to 0.6 mm

SCHEMATIC CIRCUITRY & CONNECTION DIAGRAM



Specifications are subject to change without notice.