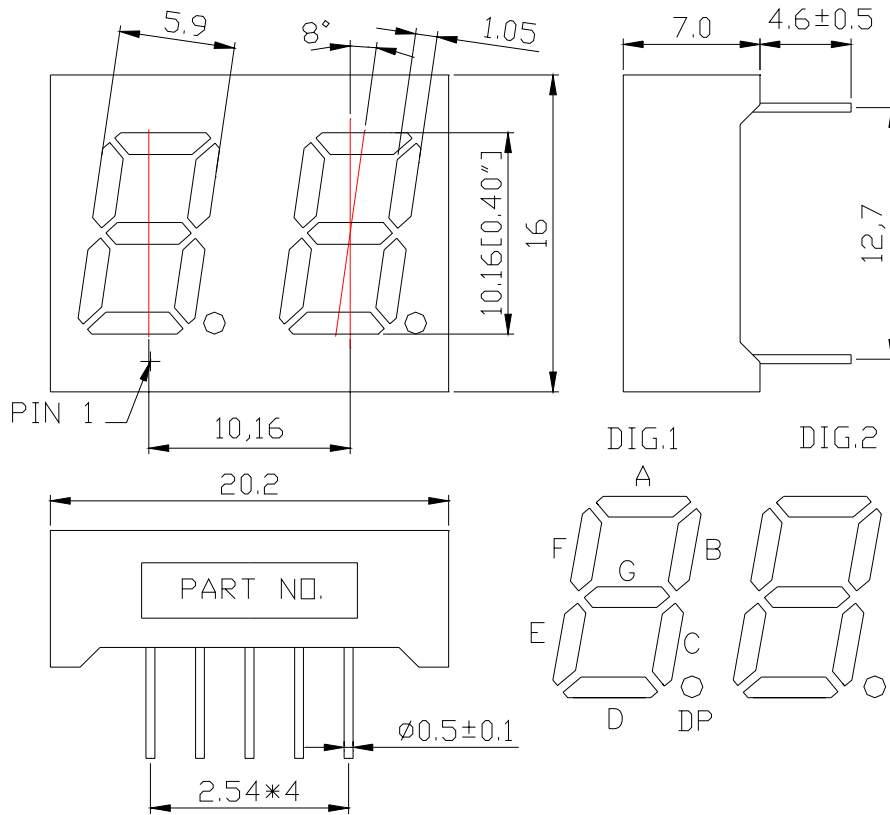


**WCN2-0040SR-A11****SPECIFICATION**

WCN			CUSTOMER Confirmed
Prepared by	Checked by	Approved by	

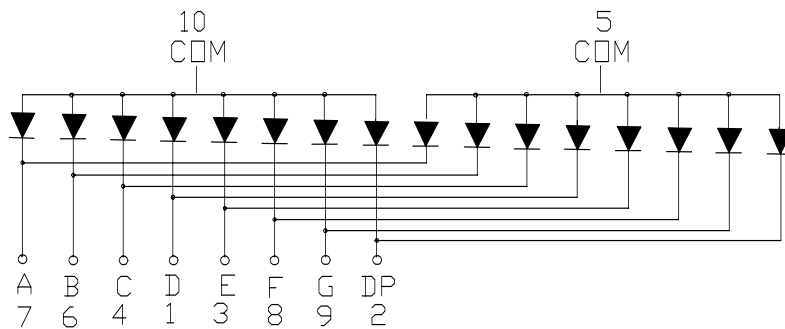
**REVISION: 01**

■ **Outer Dimension:**



Notes: Unless otherwise stated, The tolerance is  $\pm 0.25\text{mm}$ .

■ **Circuit Diagram:**



■ **Pin Connection:**

PIN NO.	CONNECTION	PIN NO.	CONNECTION
1	Cathode D	6	Cathode B
2	Cathode DP	7	Cathode A
3	Cathode E	8	Cathode F
4	Cathode C	9	Cathode G
5	Common Anode Dig.2	10	Common Anode Dig.1

■ **Features:**

- High Reliability
- Color: Red
- Low Power Requirement
- Easy Assembly

■ **Description:**

- Dual Digit LED Display
- Digit Height:10.16mm(0.40" )
- Black Face and Milky Segment

■ **Absolute Maximum Rating (Ta=25°C):**

Parameter	Symbol	Condition	Color	Rating	Unit
Power Dissipation Per Segment	P <sub>d</sub>	—	Red	65	mW
Forward Current Per Segment	I <sub>F</sub>	—	Red	25	mA
Derating Of If Per Segment	△I <sub>F</sub>	Ta ≥ 25°C	Red	0.30	mA/°C
Peak Forward Current Per Segment	I <sub>FP</sub>	1/10 Duty 10KHz	Red	100	mA
Reverse Voltage Per Segment	V <sub>R</sub>	—	Red	5	V
Operating Temperature Range	Topr	—	—	-35~+85	°C
Storage Temperature Range	Tstg	—	—	-35~+85	°C

■ **Electrical/Optical Characteristics Rating(Ta=25°C):**

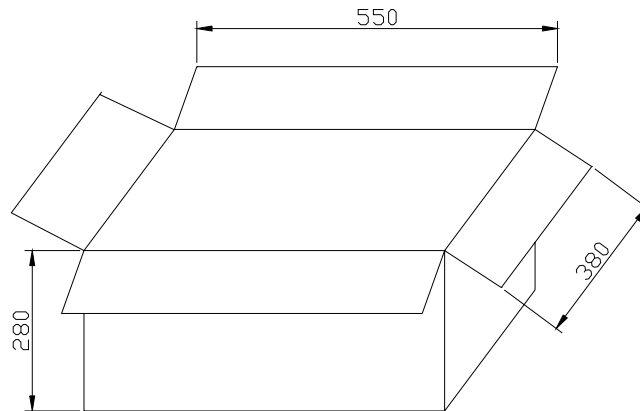
Item	Symbol	Test conditions	Location	Rating			Unit
				Min.	Typ.	Max.	
Forward Voltage	V <sub>F</sub>	I <sub>F</sub> =20mA	Per Segment	—	2.00	2.60	V
Reverse Current	I <sub>R</sub>	V <sub>R</sub> =5V	Per Segment	—	—	100	μA
Luminous Intensity	I <sub>V</sub>	I <sub>F</sub> =10mA	Per Segment	3201	6000	—	μcd
Wave Length	λ <sub>P</sub>	I <sub>F</sub> =20mA	Per Segment	—	638	—	nm
	λ <sub>D</sub>				633		
Spectral Line Half Width	△λ	I <sub>F</sub> =20mA	Per Segment	—	20	—	nm
Luminous Intensity Matching Ratio (Segment to segment)	I <sub>v-m</sub>	I <sub>F</sub> =10mA	—	—	—	2:1	

■ **Luminous Intensity Sorting:( Luminous Intensity Tolerance is +/-10%)**

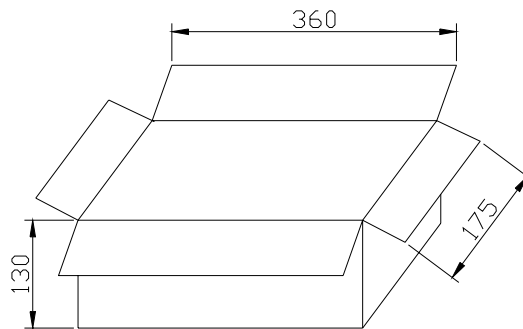
Rank	Symbol	Condition	Min	Max	Unit
J	J	I <sub>F</sub> =10mA	3201	5050	μcd
K	K	I <sub>F</sub> =10mA	5051	8000	μcd
L	L	I <sub>F</sub> =10mA	8001	12650	μcd

■ **Soldering Conditions: Soldering Temp. ≤ +260°C, Soldering Time. ≤ 3sec.**

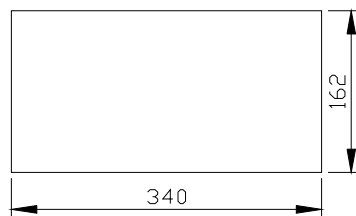
(at 2mm Distance from The Case of Reflector Edge)

**Outer Carton Dimension:**

- Note:**
1. An Outer carton contained 6 Inner cartons and 6000 PCS products.
  2. Unless otherwise stated, the tolerance is +5mm / -0mm.
  3. The carton material is A=A Brown Paper.

**Inner Carton Dimension:**

- Note:**
1. An Inner carton contained 7 PCS Foam Board and 1000 PCS products.
  2. Unless otherwise stated, the tolerance is  $\pm 3$  mm.

**Steamed Foam Dimension:**

- Note:**
1. A Steamed Foam contained 144 PCS products.
  2. Unless otherwise stated, The tolerance is  $\pm 2$  mm.