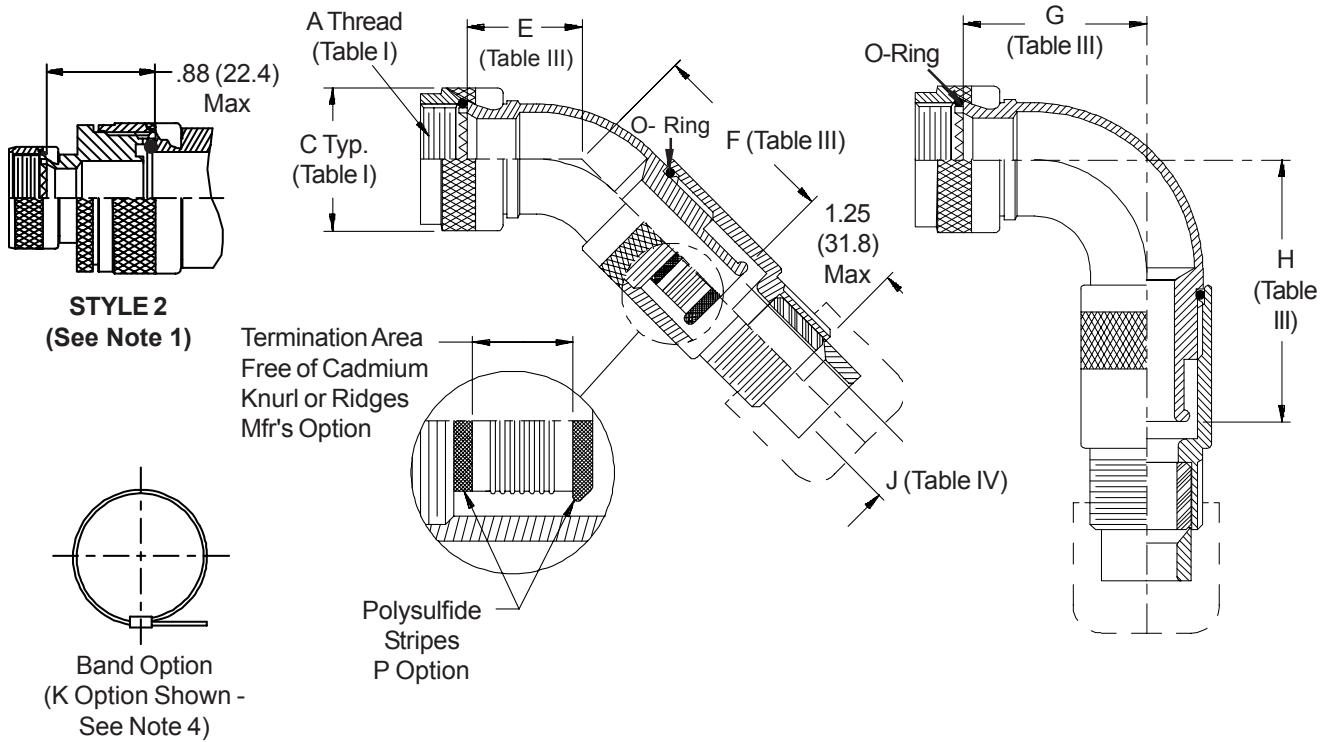
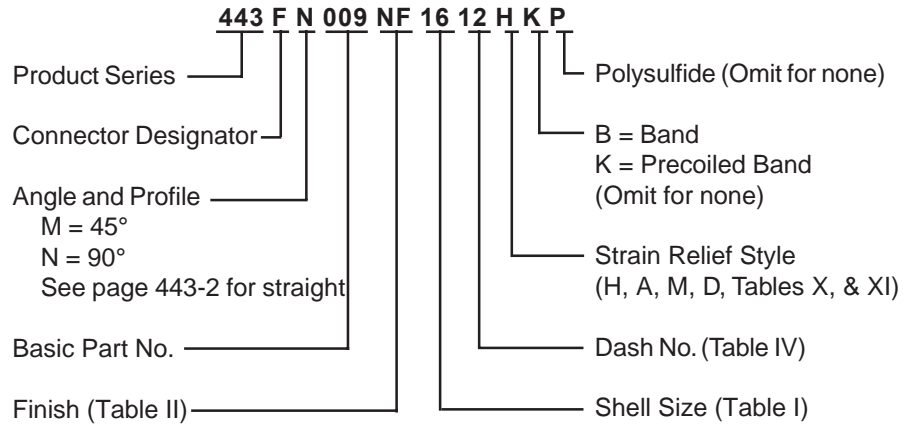
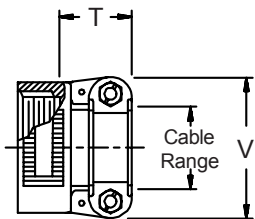


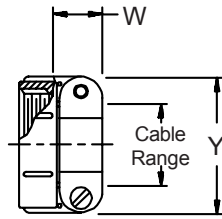
CONNECTOR DESIGNATORS
A-F-H-L-S
ROTATABLE COUPLING



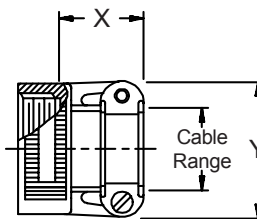
STYLE H
 Heavy Duty (Table X)



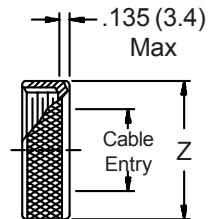
STYLE A
 Medium Duty (Table XI)



STYLE M
 Medium Duty (Table XI)



STYLE D
 Medium Duty (Table XI)



443-009
Submersible EMI/RFI Cable Sealing Backshell
Band-in-a-Can with Strain-Relief
Direct Coupling - Full Radius Profile



See inside back cover fold-out or pages 13 and 14 for Tables I and II.

Shell Size		E		F		G		H	
Conn. Desig.		Max		Max		Max		Max	
A-F-L-S	H								
08	09	.817	(20.8)	1.057	(26.8)	1.125	(28.6)	1.375	(34.9)
10	11	.861	(21.9)	1.111	(28.2)	1.250	(31.8)	1.500	(38.1)
12	13	.911	(23.1)	1.161	(29.5)	1.375	(34.9)	1.625	(41.3)
14	15	.965	(24.5)	1.215	(30.9)	1.500	(38.1)	1.750	(44.5)
16	17	1.014	(25.8)	1.264	(32.1)	1.625	(41.3)	1.875	(47.6)
18	19	1.064	(27.0)	1.314	(33.4)	1.750	(44.5)	2.000	(50.8)
20	21	1.118	(28.4)	1.368	(34.7)	1.875	(47.6)	2.125	(54.0)
22	23	1.172	(29.8)	1.422	(36.1)	2.000	(50.8)	2.250	(57.2)
24	25	1.221	(31.0)	1.471	(37.4)	2.125	(54.0)	2.375	(60.3)

Dash No.	Clamp Size	J Dia	
02	03	.125	(3.2)
03	03	.188	(4.8)
04	03	.250	(6.4)
05	04	.312	(7.9)
06	06	.375	(9.5)
07	06	.438	(11.1)
08	08	.500	(12.7)
09	10	.562	(14.3)
10	10	.625	(15.9)
11	12	.688	(17.5)
12	12	.750	(19.1)
13	16	.812	(20.6)
14	16	.875	(22.2)
15	16	.938	(23.8)
16	20	1.000	(25.4)
17	20	1.062	(27.0)
18	20	1.125	(28.6)
20	20	1.250	(31.8)
22	24	1.375	(34.9)
24	28	1.500	(38.1)

Clamp Size	T Max	V Max	Cable Range			
			Min		Max	
04	.780 (19.8)	.957 (24.3)	.125 (3.2)	.312 (7.9)		
06	.780 (19.8)	1.145 (29.1)	.250 (6.4)	.437 (11.1)		
08	.780 (19.8)	1.332 (33.8)	.387 (9.8)	.562 (14.3)		
10	.780 (19.8)	1.332 (33.8)	.350 (8.9)	.625 (15.9)		
12	.811 (20.6)	1.551 (39.4)	.500 (12.7)	.750 (19.1)		
16	.905 (23.0)	1.770 (45.0)	.625 (15.9)	.937 (23.8)		
20	1.092 (27.7)	2.113 (53.7)	.875 (22.2)	1.250 (31.8)		
24	1.124 (28.5)	2.363 (60.0)	1.000 (25.4)	1.375 (34.9)		
28	1.399 (35.5)	2.770 (70.4)	1.250 (31.8)	1.625 (41.3)		

Clamp Size	W Max	X Max	Y Max	Z Max	Cable Range		
					Min **		Max
03*	.437 (11.1)	.760 (19.3)	.843 (21.4)	.630 (16.0)	.156 (4.0)	.250 (6.4)	
04*	.437 (11.1)	.760 (19.3)	.906 (23.0)	.755 (19.2)	.188 (4.8)	.312 (7.9)	
06*	.500 (12.7)	.760 (19.3)	1.093 (27.8)	.942 (23.9)	.281 (7.1)	.438 (11.1)	
08	.563 (14.3)	.760 (19.3)	1.187 (30.1)	1.067 (27.1)	.387 (9.8)	.562 (14.3)	
10	.563 (14.3)	.760 (19.3)	1.281 (32.5)	1.192 (30.3)	.375 (9.5)	.625 (15.9)	
12	.563 (14.3)	.760 (19.3)	1.500 (38.1)	1.380 (35.1)	.438 (11.1)	.750 (19.1)	
16	.656 (16.7)	1.073 (27.3)	1.719 (43.7)	1.535 (39.0)	.625 (15.9)	.938 (23.8)	
20	.656 (16.7)	1.323 (33.6)	2.062 (52.4)	1.848 (46.9)	.875 (22.2)	1.250 (31.8)	
24	.656 (16.7)	1.323 (33.6)	2.312 (58.7)	2.255 (57.3)	1.000 (25.4)	1.375 (34.9)	
28	.188 (30.2)	1.572 (39.9)	2.719 (69.1)	2.505 (63.6)	1.250 (31.8)	1.625 (41.3)	

* Not available in Style M clamp. ** Not Applicable Style D

1. When maximum cable entry (page 21) is exceeded, Style 2 will be supplied. Dimensions E, F, G, and H will not apply. Please consult factory.
2. Metric dimensions (mm) are indicated in parentheses.
3. O-Ring not supplied with Connector Designator A.
4. Backshells supplied with 600-052-* band, see Glenair Series 600 Tool Catalog for installation.