

# KR 2618-4 Bandpass Filter

## General Description

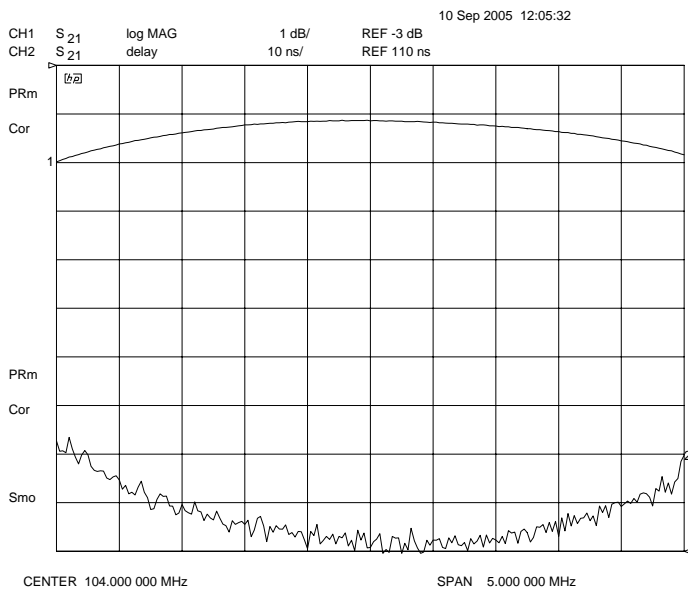
KR 2618-4 is a 104 MHz surface mount bandpass filter. Other center frequencies and bandwidths available. Please consult the factory.

## Features

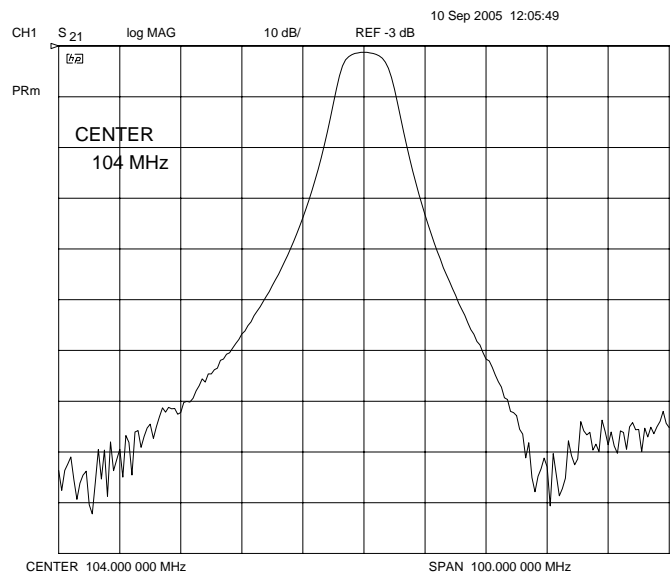
- Surface Mount Package
- 50  $\Omega$  Source and Load

## Typical Performance

### Passband Amplitude & Group Delay (1 dB/div & 10 nsec/div)



### Overall Response (10 dB/div)



KR Electronics, Inc.  
91 Avenel Street  
Avenel, NJ 07001

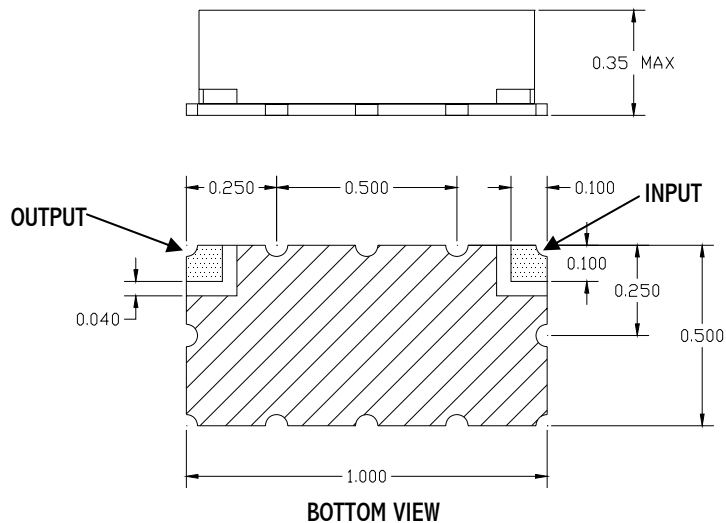
Web www.krfilters.com  
Email sales@krfilters.com  
Phone (732) 636-1900  
Fax (732) 636-1982

## KR 2618-4 Bandpass

### Specifications

Parameter	Specification
Filter type	Bandpass
Center Frequency	104 MHz
Insertion Loss	< 6 dB (4 dB typical)
1 dB Bandwidth	> ± 2 MHz
Source and Load	50 Ω

### Physical Dimensions



#### Notes:

1. Surface mount package — Metal cover, open frame
2. Dimensions in inches
3. Use SN60 or SN63 solder during installation  
Max Reflow temperature 205° C for 15 sec
4. If boards are cleaned after installation, units must be completely dried to remove any entrapped moisture that will effect electrical performance