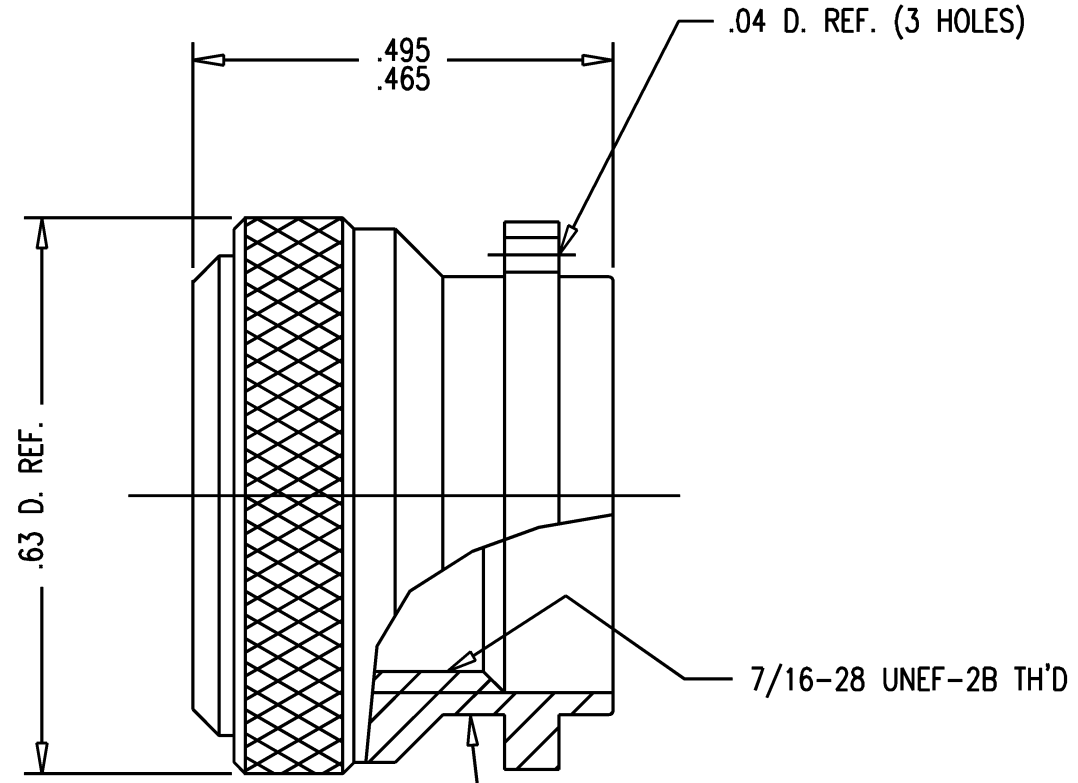


# GSD

KA-81-04-M06



STAMP: KINGS KA-81-04-M06  
YRWK (DATE CODE)

**NOTES:**

- MATERIALS:**  
GASKET: SILICONE RUBBER, ZZ-R-765  
ALL OTHER PARTS: BRASS, ASTM-B16
- FINISHES:**  
ALL METAL PARTS: KINGS TARNISH RESISTANT FINISH (TR-5)
- MARK PACKAGE:** KINGS KA-81-04-M06  
YRWK (DATE CODE)
- WEIGHT:** 0.017 POUNDS

REVISIONS	
ISSUE	CHANGES
0	ER 34222 JCA 11/06/92
1	CN 39278 E TML 06/17/05

JCA3298

SCALE 4:1

APPROX SURFACE AREA

USED ON

REF:

CAP, TNC, M

DRAWN	JCA	DATE	11/05/92
-------	-----	------	----------

DESIGN	MJB	DATE	11/05/92
--------	-----	------	----------

APPR.	DATE
-------	------



# GSD

KA-81-04-M06