

ADR Series



- High inductance value and excellent frequency performance.
- Small size
- Vertical type is available.

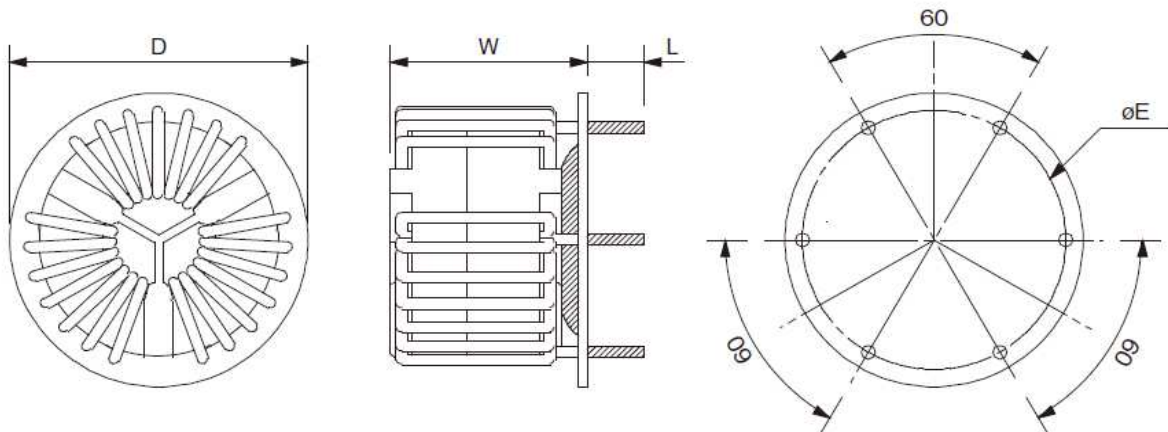
Applications

Common mode choke coil (AC)

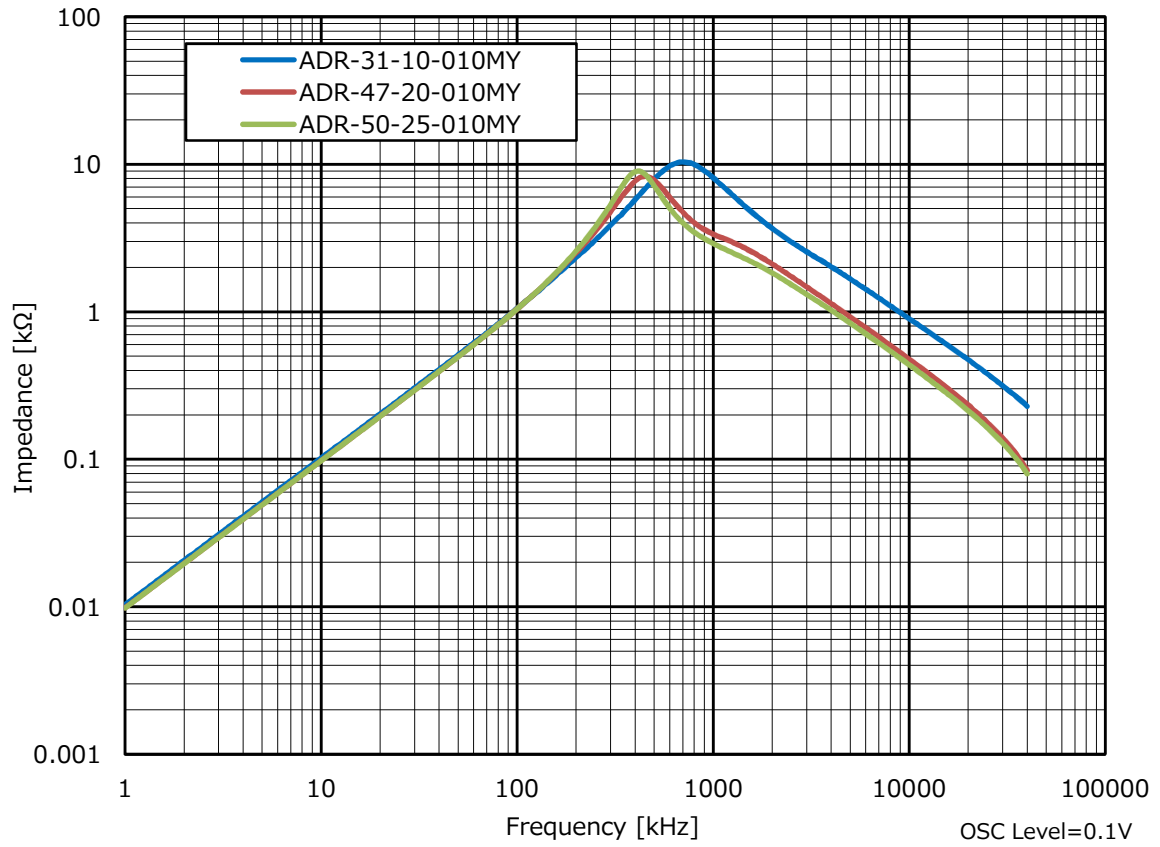
Specifications

Parts No.	Rated voltage	Rated current	Inductance	Dimension(mm)			
				D	W	L	E
ADR-31-10-010MY	250VAC	10A	$\geq 1\text{mH}$	44	33	5	dia.36
ADR-47-20-010MY		20A		64	39	5	dia.56
ADR-50-25-010MY		25A		75	50	10	dia.56
Withstanding Voltage	AC2000V 60sec or AC2400V 1~2sec (LINE toLINE)						
Insulation Resistance	DC500V 100M Ω min(LINE toLINE)						
Ambient temp	-25 up to 120 Deg.C						

Dimensions



Impedance Characteristics



Manufacturer: Ueno Co.,Ltd