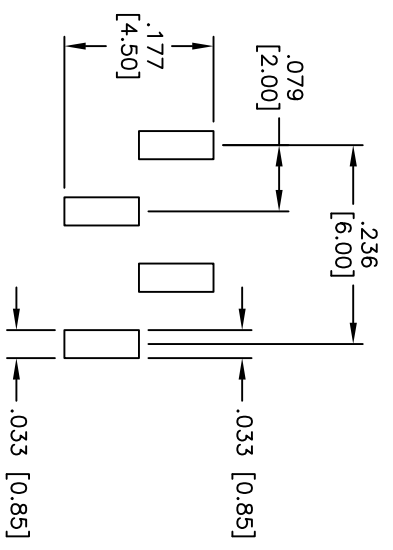
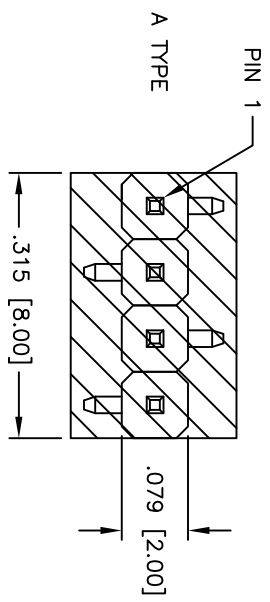
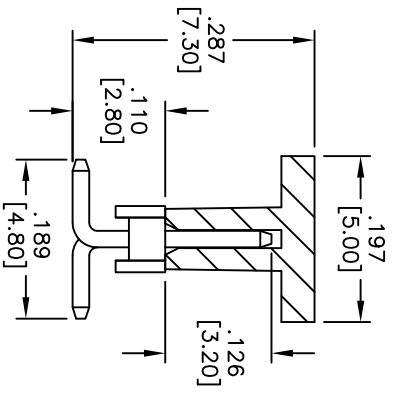
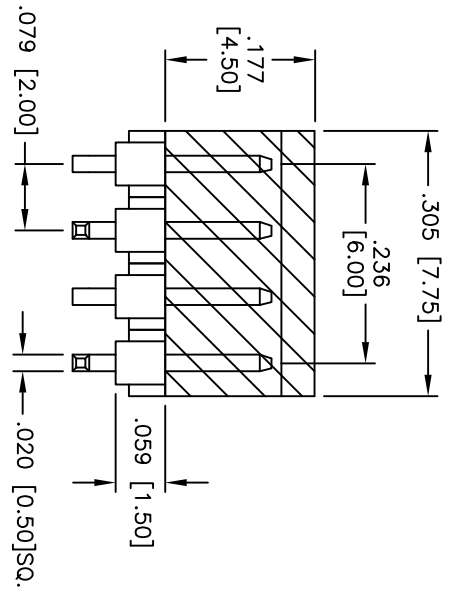


Rev	AWO #	Description	Date	Appr
-		RELEASED	7/07/11	

APPROVED: \_\_\_\_\_  
 DATE: \_\_\_\_\_ TITLE: \_\_\_\_\_



RECOMMENDED PCB LAYOUT



**SPECIFICATIONS:**

Material: Insulator: Hi-temp thermoplastic, rated UL 94V-0  
 Insulator color: Black  
 Contacts: Brass

Plating: Tin over Copper underplate overall

Electrical: Current rating: 1 Amp max

Contact resistance: 20 mohms max  
 Insulation resistance: 5,000 Mohms min @ 500 VDC

Dielectric withstanding voltage: 500 VAC for 1 minute  
 Temperature Rating: Operating temperature: -55°C to +105°C

Environmental: Lead free, RoHS compliant

Recommended soldering temp: 260°C for 5 seconds



PACKAGED ON TAPE & REEL

**ADAM TECH**

909 Rahway Avenue, Union, NJ 07083  
 Phone: 908-687-5000 Fax: 908-687-5710

TITLE: .079 [2.00] SINGLE ROW PIN HEADER  
 SURFACE MOUNT, TYPE A

UNLESS OTHERWISE SPECIFIED ALL DIMENSIONS ARE IN INCHES [MM]	
TOLERANCES: EXCEPT AS NOTED	
INCHES	HOLDS
.X ± .10	ØXX ± .10
.XX ± .020	ØXXX ± .015
.XXX ± .015	ØXXXX ± .010
APPROVALS	DATE
DRAWN	DY
CHECKED	7/07/11
APPROVED	

SIZE	PART NO.	REV.
X	2PH1-04-T-SMT-A-.126-PP-T/R	-
REF: S00039T	SCALE: NTS	SHEET 1 OF 1