

PLEASE CHECK WWW.MOLEX.COM FOR LATEST PART INFORMATION

Part Number: [0901512264](#)
Status: **Active**
Overview: [cgrid_sl_products](#)
Description: 2.54mm (.100") Pitch C-Grid III™ PC Board Connector, Dual Row, Vertical, 64 Circuits

Documents:

[3D Model](#)
[Drawing \(PDF\)](#)

[RoHS Certificate of Compliance \(PDF\)](#)

General

| | |
|----------------|-----------------------------------|
| Product Family | PCB Receptacles |
| Series | 90151 |
| Application | Board-to-Board |
| Overview | cgrid_sl_products |
| Product Name | C-Grid III™ |

Physical

| | |
|--------------------------------|-----------------|
| Circuits (Loaded) | 64 |
| Color - Resin | Black |
| Glow-Wire Compliant | No |
| Guide to Mating Part | No |
| Keying to Mating Part | None |
| Lock to Mating Part | No |
| Material - Metal | Phosphor Bronze |
| Material - Plating Mating | Gold |
| Material - Plating Termination | Tin |
| Material - Resin | Polyester |
| Number of Rows | 2 |
| Orientation | Vertical |
| PC Tail Length (in) | 0.114 In |
| PC Tail Length (mm) | 2.90 mm |
| PCB Locator | No |
| PCB Retention | None |
| PCB Thickness Recommended (in) | 0.062 In |
| PCB Thickness Recommended (mm) | 1.60 mm |
| Packaging Type | Tube |
| Pitch - Mating Interface (in) | 0.100 In |
| Pitch - Mating Interface (mm) | 2.54 mm |
| Plating min: Mating (µin) | 15.2 |
| Plating min: Mating (µm) | 0.38 |
| Plating min: Termination (µin) | 120 |
| Plating min: Termination (µm) | 3 |
| Polarized to PCB | No |
| Temperature Range - Operating | -55°C to +125°C |
| Termination Interface: Style | Through Hole |

Electrical

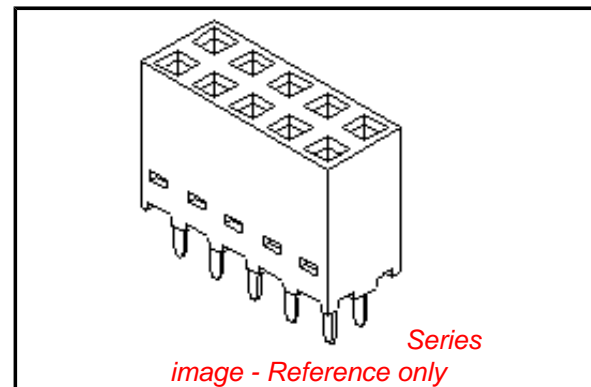
| | |
|-------------------------------|------|
| Current - Maximum per Contact | 3A |
| Grounding to PCB | No |
| Voltage - Maximum | 350V |

Solder Process Data

| | |
|------------------------------|------------------------|
| Lead-free Process Capability | Wave Capable (TH only) |
|------------------------------|------------------------|

Material Info

Reference - Drawing Numbers



EU RoHS

ELV and RoHS Compliant
REACH SVHC
Contains SVHC: No
Halogen-Free Status
Not Reviewed

China RoHS



Need more information on product environmental compliance?

Email productcompliance@molex.com
 For a multiple part number RoHS Certificate of Compliance, [click here](#)

Please visit the [Contact Us](#) section for any non-product compliance questions.

Search Parts in this Series

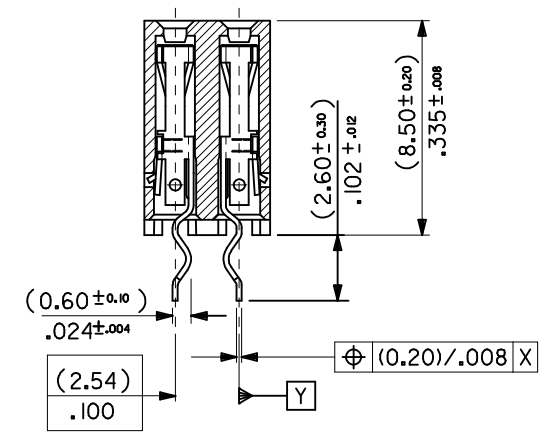
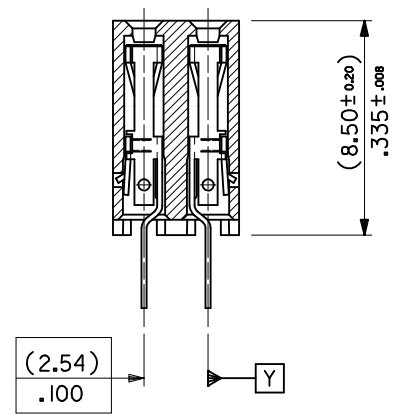
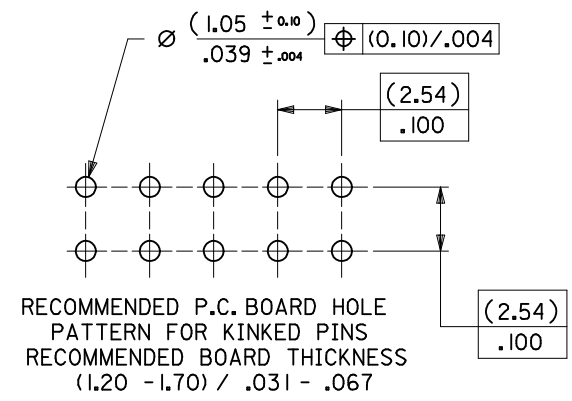
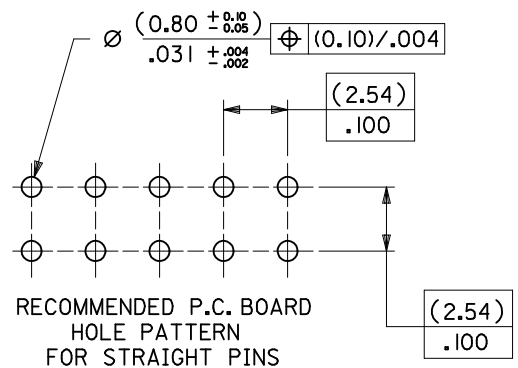
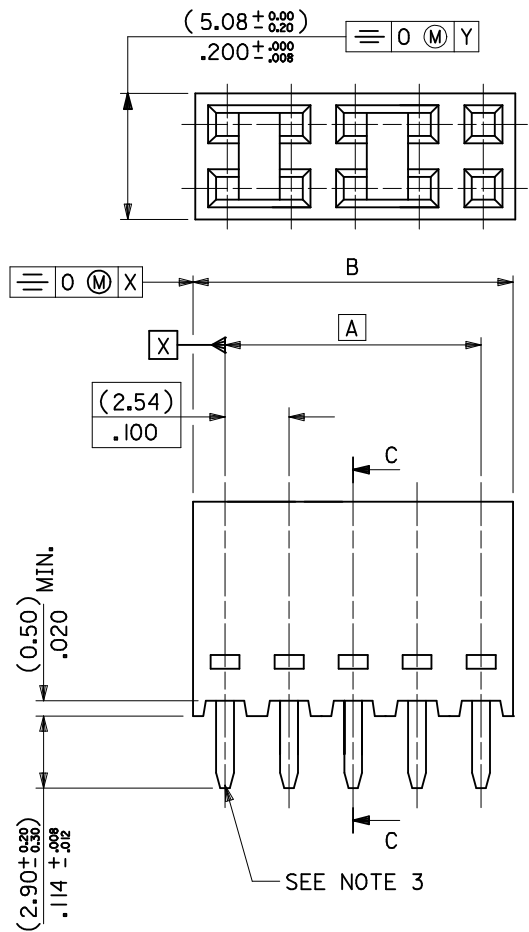
[90151Series](#)

Mates With

0.64mm (.025") square pins

This document was generated on 05/24/2010

PLEASE CHECK WWW.MOLEX.COM FOR LATEST PART INFORMATION



NOTES

- 1) CONTACT-PLATED PHOSPHOR BRONZE.
- 2) HOUSING-15% GLASS FILLED POLYESTER. COLOUR-BLACK.
- 3) COMPATIBLE WITH PCB HOLE PATTERN.
- 4) FOR (0.635)/.025 SQ. MALE PINS THE LENGTH MUST BE (5.65)/.222 MIN & (7.00)/.276 MAX. TO ENSURE GOOD CONNECTION WITH CONTACT.

| | |
|---|----|
| 6 | AF |
| 5 | AD |
| 4 | AD |
| 3 | AD |
| 2 | AG |
| 1 | AH |

| | | | | | | | | | |
|---|-------------------------------|---|---------|----------------------------|------------------|--|---------------------------|---------------------|--|
| ADD INSET FOR GATE EC NO: E2009-0250 DRWN: BMAGUIRE 2008/12/08 CHKD: 2008/12/08 APPR: BMAGUIRE 2008/12/08 | QUALITY SYMBOLS ▽=0 ◻=0 | GENERAL TOLERANCES (UNLESS SPECIFIED) | | DIMENSION STYLE MM ONLY | SCALE 1:1 | DESIGN UNITS METRIC | THIRD ANGLE PROJECTION | | |
| | | 4 PLACES ± --- ± --- 3 PLACES ± --- ± --- 2 PLACES ± 0.05 ± --- 1 PLACE ± 0.10 ± --- | mm INCH | DRAWN BY DB | DATE 21/07/86 | TITLE C-GRID III DUAL ROW VERTICAL P.C. BOARD CONNECTOR | | | |
| | | ANGULAR ± ---° | | CHECKED BY | DATE | MOLEX INCORPORATED | | | |
| | | DRAFT WHERE APPLICABLE MUST REMAIN WITHIN DIMENSIONS | | APPROVED BY | DATE | MATERIAL NO. SEE CHART | DOCUMENT NO. SDA-90151 | SHEET NO. 1 OF 5 | |
| THIS DRAWING CONTAINS INFORMATION THAT IS PROPRIETARY TO MOLEX INCORPORATED AND SHOULD NOT BE USED WITHOUT WRITTEN PERMISSION | | | | | | | | | |

SEE CHART
PART NO. SDA-90151
DWG. NO.

| PART NO. STRAIGHT PINS | PART NO. KINKED PINS | NO.OF CKTS. | DIM." A" | DIM." B" (± 0.00): ± 0.02 | QTY. PER TUBE |
|------------------------------|----------------------------|----------------|---------------|--|------------------|
| 90151-2X04 | 90151-3X04 | 4 | (2.54) .100 | (5.08) .200 | 105 |
| ▲ ▲ 06 | ▲ ▲ 06 | 6 | (5.08) .200 | (7.62) .300 | 72 |
| 08 | 08 | 8 | (7.62) .300 | (10.16) .400 | 52 |
| 10 | 10 | 10 | (10.16) .400 | (12.70) .500 | 44 |
| 12 | 12 | 12 | (12.70) .500 | (15.24) .600 | 36 |
| 14 | 14 | 14 | (15.24) .600 | (17.78) .700 | 30 |
| 16 | 16 | 16 | (17.78) .700 | (20.32) .800 | 26 |
| 18 | 18 | 18 | (20.32) .800 | (22.86) .900 | 24 |
| 20 | 20 | 20 | (22.86) .900 | (25.40) 1.000 | 22 |
| 22 | 22 | 22 | (25.40) 1.000 | (27.94) 1.100 | 20 |
| 24 | 24 | 24 | (27.94) 1.100 | (30.48) 1.200 | 18 |
| 26 | 26 | 26 | (30.48) 1.200 | (33.02) 1.300 | 16 |
| 28 | 28 | 28 | (33.02) 1.300 | (35.56) 1.400 | 14 |
| 30 | 30 | 30 | (35.56) 1.400 | (38.10) 1.500 | 14 |
| 32 | 32 | 32 | (38.10) 1.500 | (40.64) 1.600 | 13 |
| 34 | 34 | 34 | (40.64) 1.600 | (43.18) 1.700 | 12 |
| 36 | 36 | 36 | (43.18) 1.700 | (45.72) 1.800 | 12 |
| 38 | 38 | 38 | (45.72) 1.800 | (48.26) 1.900 | 11 |
| 40 | 40 | 40 | (48.26) 1.900 | (50.80) 2.000 | 11 |
| 42 | 42 | 42 | (50.80) 2.000 | (53.34) 2.100 | 11 |
| 44 | 44 | 44 | (53.34) 2.100 | (55.88) 2.200 | 10 |
| 46 | 46 | 46 | (55.88) 2.200 | (58.42) 2.300 | 10 |
| 48 | 48 | 48 | (58.42) 2.300 | (60.96) 2.400 | 9 |
| 50 | 50 | 50 | (60.96) 2.400 | (63.50) 2.500 | 8 |
| 52 | 52 | 52 | (63.50) 2.500 | (66.04) 2.600 | 8 |
| 54 | 54 | 54 | (66.04) 2.600 | (68.58) 2.700 | 8 |
| 56 | 56 | 56 | (68.58) 2.700 | (71.12) 2.800 | 7 |
| 58 | 58 | 58 | (71.12) 2.800 | (73.66) 2.900 | 7 |
| 60 | 60 | 60 | (73.66) 2.900 | (76.20) 3.000 | 7 |
| ▼ ▼ 62 | ▼ ▼ 62 | 62 | (76.20) 3.000 | (78.74) 3.100 | 7 |
| 90151-2X64 | 90151-3X64 | 64 | (78.74) 3.100 | (81.28) 3.200 | 6 |

PLATING VERSION A

PRE-PLATED HOT DIP TIN
1.0 TO 2.5 um (.000040" TO .000100").

PLATING VERSION E

1.27 TO 1.78 um (.000050" TO .000070") NICKEL
OVERALL, 0.38 TO 0.64 um (.000015" TO .000025")
GOLD ON CONTACT AREA (OVER NICKEL).
3 TO 5 um (.000120" TO .000200") TIN
ON SOLDER TAILS (OVER NICKEL).

PLATING VERSION F.

1.27 TO 1.78 um (.000050" TO .000070") NICKEL
OVERALL, 0.76 TO 1.0 um (.000030" TO .000040")
GOLD ON CONTACT AREA (OVER NICKEL).
3 TO 5 um (.000120" TO .000200") TIN
ON SOLDER TAILS (OVER NICKEL).

PLATING VERSION G.

1.27 TO 1.78 um (.000050" TO .000070") NICKEL
OVERALL, 0.125 um MIN. (.000005" MIN.) GOLD FLASH
ON CONTACT AREA (OVER NICKEL).
3 TO 5 um (.000120" TO .000200") TIN
ON SOLDER TAILS (OVER NICKEL).

PLATING VERSION N.

1.27 TO 1.78 um (.000050" TO .000070") NICKEL
OVERALL, 0.76 TO 2.6 um (.000030" TO .000100")
GOLD ON CONTACT AREA (OVER NICKEL).
4 um (.000120") MINIMUM TIN
ON SOLDER TAILS (OVER NICKEL).

STANDARD PRODUCTS

90151-XXYY

INDICATES NO. OF CIRCUITS.

- PLATING CODE.
1 = VERSION A.
2 = VERSION E.
3 = VERSION F.
4 = VERSION N.
5 = VERSION G.

SEE CHART

FOR PREVIOUS
DRAWING ISSUES
SEE MRI.

LEAD FREE CONVERSION
NEW BORDER ADDED
EC NO. E2004-0610
DRAWN: PSHEAHAN 06/01/2004
CHK:
APPR:
AH

DESCRIPTION
MAJOR
CRITICAL
REV

QUALITY SYMBOLS
GENERAL TOLERANCES:
(UNLESS SPECIFIED)
SCALE
DESIGN UNITS
THIRD ANGLE PROJECTION
DRAWN BY & DATE
CHECKED BY & DATE
APPROVED BY & DATE
CAD FILENAME
MATERIAL NO.
DRAWING NO.
SHEET NO.
DRAFT WHERE APPLICABLE MUST
REMAIN WITHIN DIMENSIONS
THIS DRAWING CONTAINS INFORMATION THAT IS PROPRIETARY TO MOLEX
INCORPORATED AND SHOULD NOT BE USED WITHOUT WRITTEN PERMISSION.

| | | | |
|---|----------------------------|---|--------------------------|
| DIMENSIONS: <input type="checkbox"/> mm <input type="checkbox"/> INCH <input type="checkbox"/> mm ONLY | | SHT | REV |
| DRAWN BY & DATE DB 14/ 7/87 | | REVISION ON CAD ONLY | |
| CHECKED BY & DATE | | TITLE: C-GRID III DUAL ROW VERTICAL P.C. BOARD CONNECTOR | |
| APPROVED BY & DATE | | MOLEX MOLEX INCORPORATED | |
| ANGULAR: ± ° | CAD FILENAME SA90151X2 DGN | MATERIAL NO. SEE CHART | DRAWING NO. SDA-90151 |
| SHEET NO. 20F | | SIZE B | |