

Customer Information Sheet

DRAWING No.: M20-792XX42R

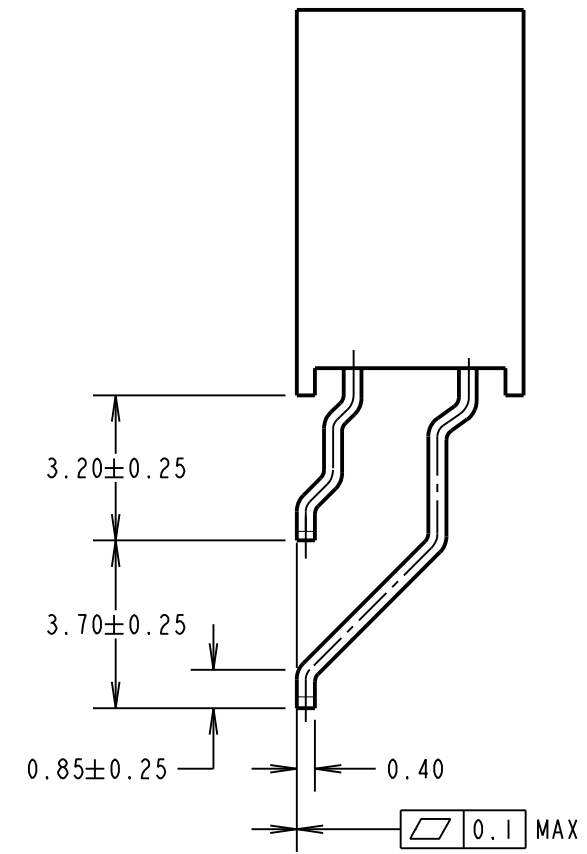
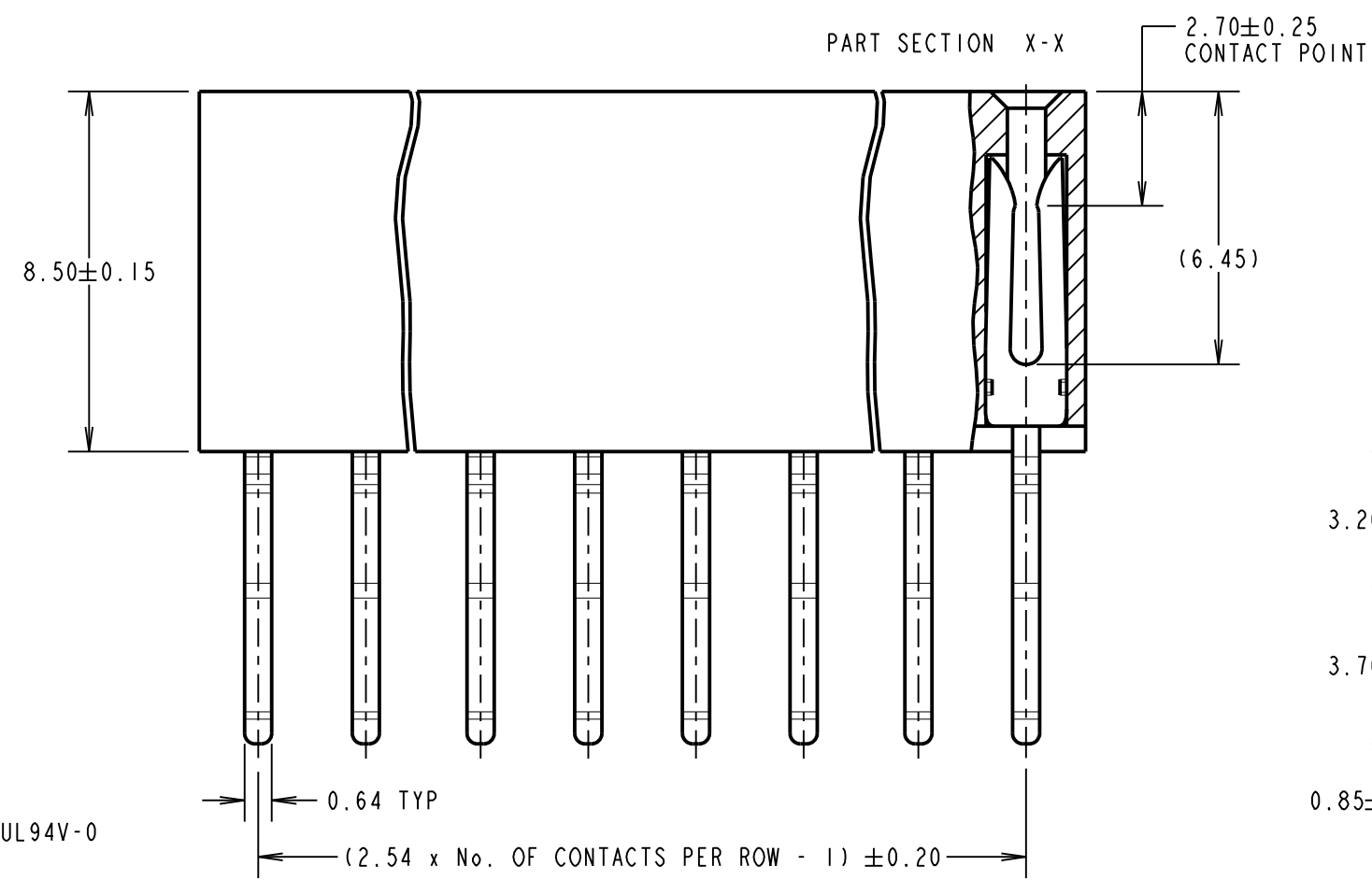
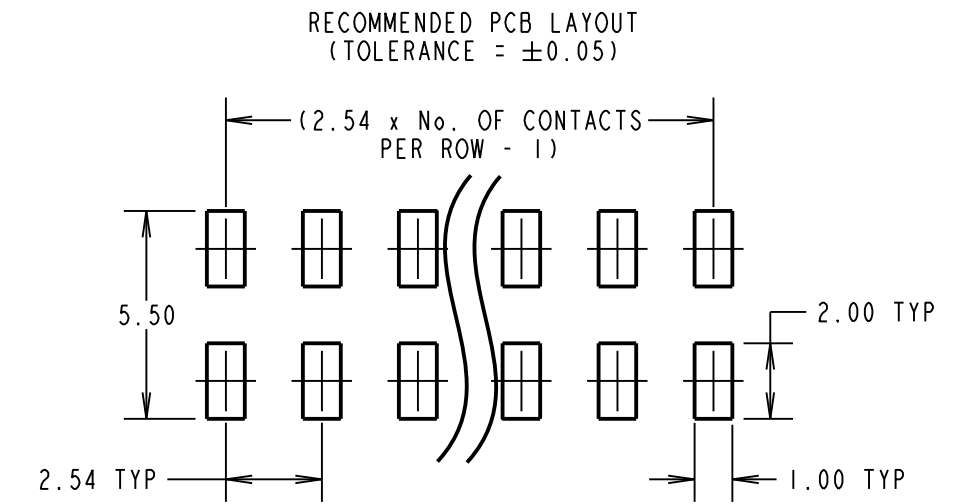
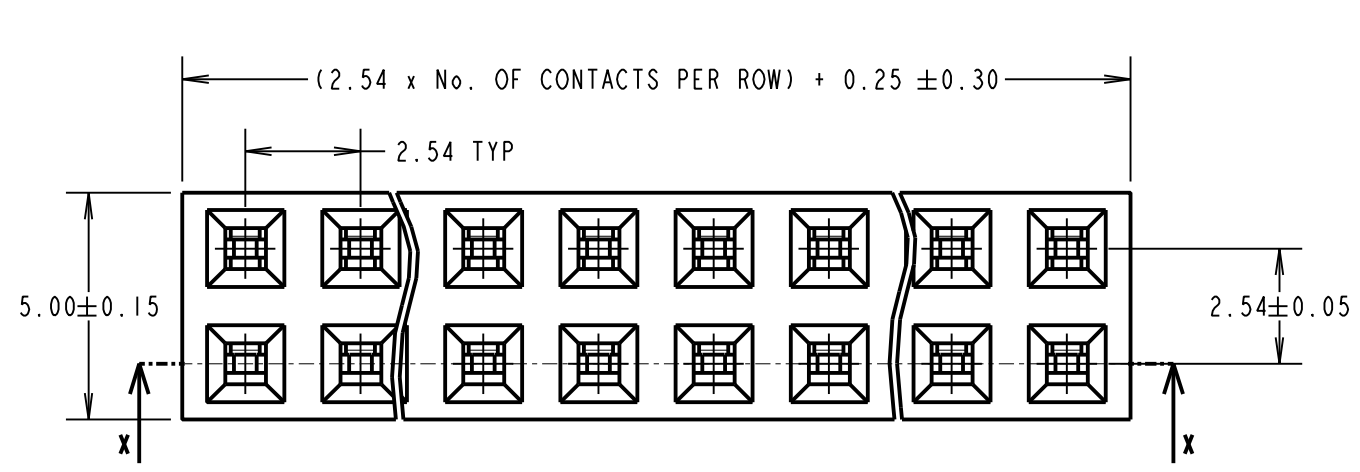
IF IN DOUBT - ASK

©

NOT TO SCALE

THIRD ANGLE PROJECTION

ALL DIMENSIONS IN mm



COMPONENT SPECIFICATIONS:

MATERIAL:
 MOULD = GLASS FILLED PA9T, UL94V-0
 CONTACTS = PHOSPHOR BRONZE
FINISH:
 0.76-2.03µ NICKEL ALL OVER,
 0.015µ MIN GOLD ON CONTACT,
 2.03-5.08µ TIN ON TAILS

ELECTRICAL:
 CURRENT RATING = 3A
 CONTACT RESISTANCE = 20mΩ MAX
 INSULATION RESISTANCE = 1000MΩ MIN
 VOLTAGE PROOF = 1000V AC FOR ONE MINUTE

MECHANICAL:
 INSERTION FORCE = 1.96N MAX PER CONTACT
 WITHDRAWAL FORCE = 0.29N MIN PER CONTACT
 DURABILITY = 300 CYCLES MIN

ENVIRONMENTAL:
 OPERATING TEMPERATURE = -40°C TO +105°C

ORDER CODE:
M20-792XX42R
 No. OF CONTACTS PER ROW: _____
 02-06, 08, 10

NOTES:
 1. FOR TAPE AND REEL DETAILS, SEE SHEET 4.

SB	3	20.12.17	20936
NAME	ISS.	DATE	C/NOTE
APPROVED:		S.BENNETT	
CHECKED:		F.McGOWAN	
DRAWN:		M.PERREN	
CUSTOMER REF.:			
ASSEMBLY DRG:			

 www.harwin.com technical@harwin.com	THIS DRAWING AND ANY INFORMATION OR DESCRIPTIVE MATTER SET OUT HEREON ARE CONFIDENTIAL AND COPYRIGHT PROPERTY OF THE HARWIN GROUP AND MUST NOT BE DISCLOSED, LOANED, COPIED OR USED FOR MANUFACTURING, TENDERING OR FOR ANY OTHER PURPOSE WITHOUT THEIR WRITTEN PERMISSION.	TOLERANCES X. = ±1mm X.X = ±0.50mm X.XX = ±0.10mm X.XXX = ±0.01mm ANGLES = ±5° UNLESS STATED	MATERIAL: SEE ABOVE	TITLE: 2.54mm PITCH DIL HORIZONTAL SOCKET, SMT TAPE & REEL
		FINISH: SEE ABOVE S/AREA: mm ²	DRAWING NUMBER: M20-792XX42R	SHT 3 OF 4

Customer Information Sheet

DRAWING No.: M20-792XX42R

IF IN DOUBT - ASK

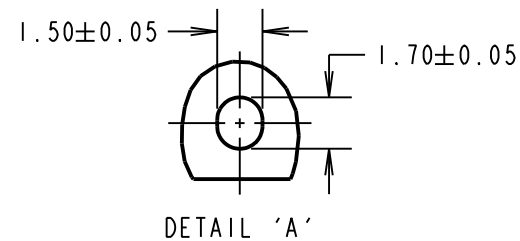
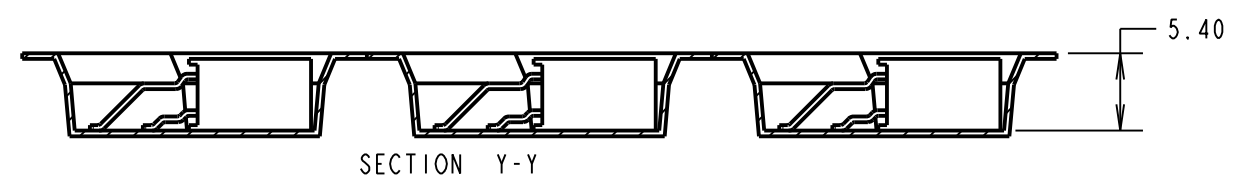
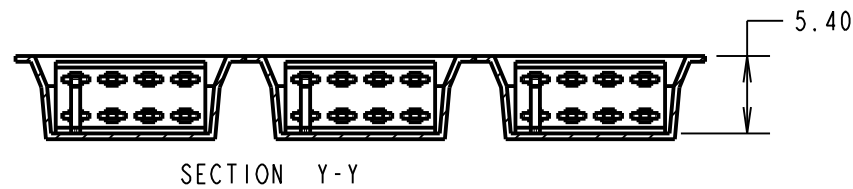
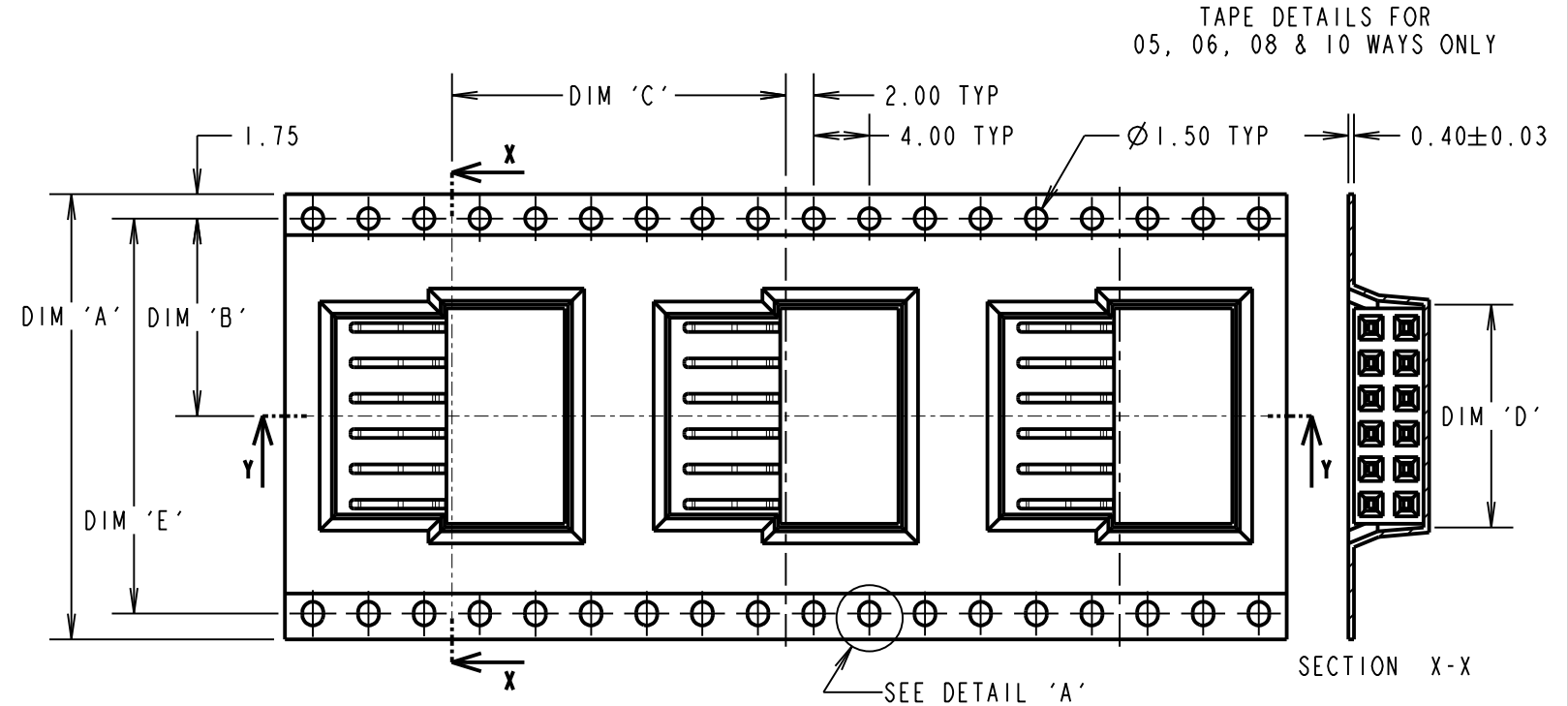
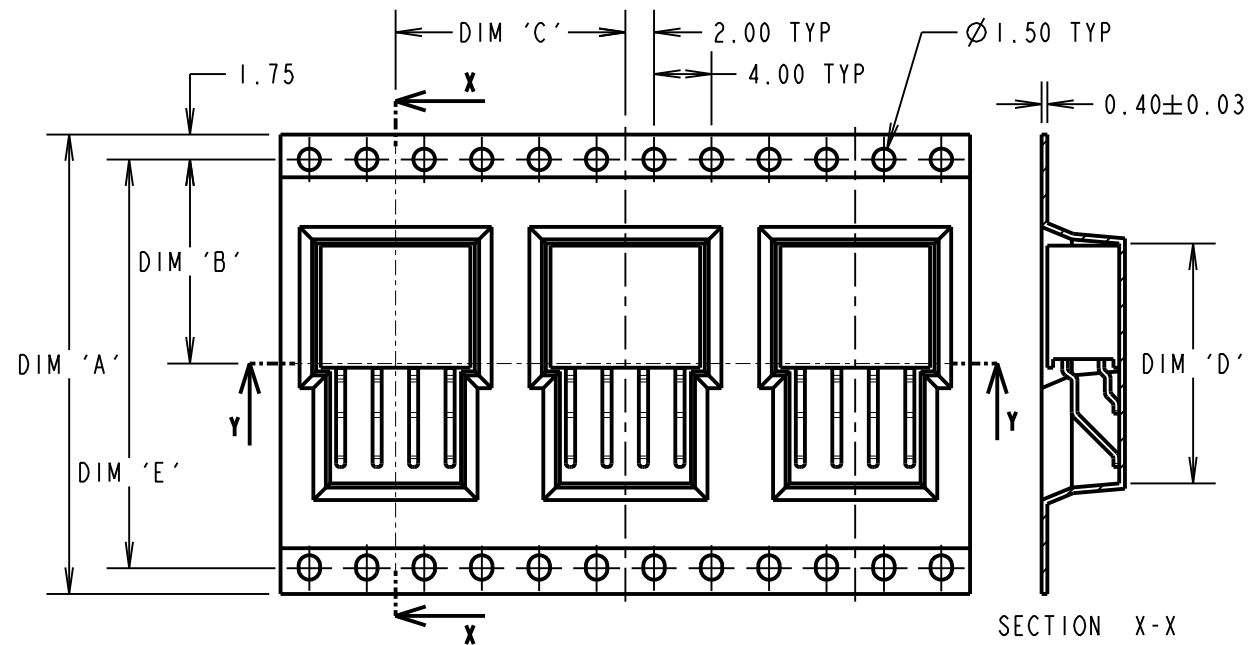
©

NOT TO SCALE

THIRD ANGLE PROJECTION

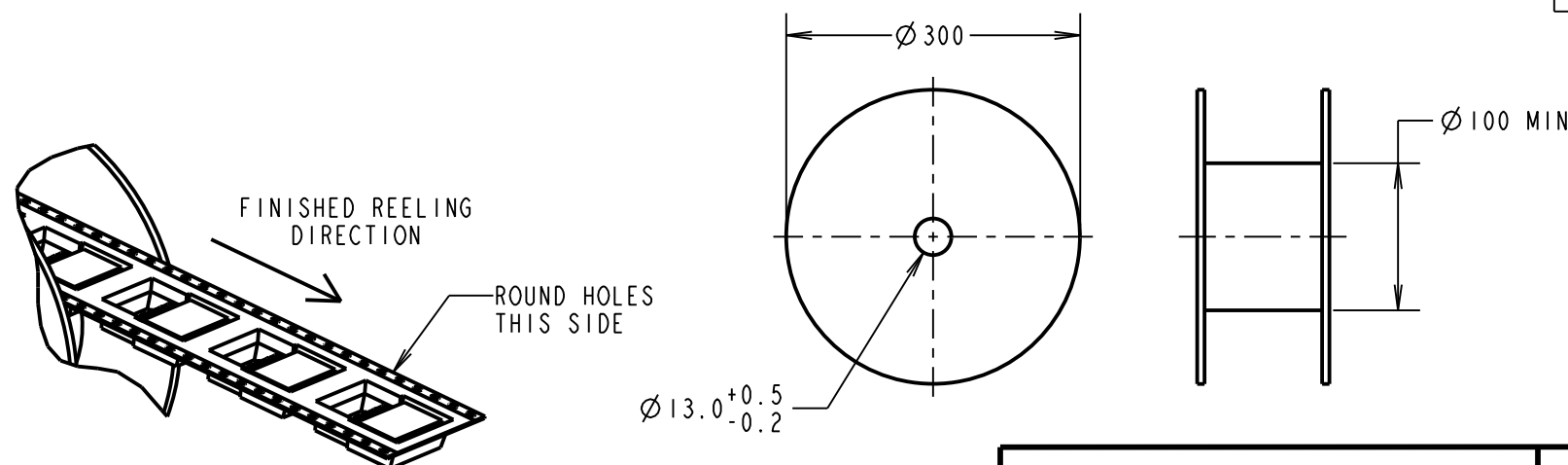
ALL DIMENSIONS IN mm

TAPE DETAILS FOR
02, 03 & 04 WAYS ONLY



ORDER CODE:
M20-792XX42R
No. OF CONTACTS PER ROW: _____
02-06, 08, 10

PART No.	DIMENSION					REEL QUANTITY
	DIM 'A'	DIM 'B'	DIM 'C'	DIM 'D'	DIM 'E'	
M20-7920242R			12.00	16.40		1000
M20-7920342R				16.10		750
M20-7920442R	32.00±0.30	14.20±0.15	16.00	16.70	28.40	
M20-7920542R				13.60		450
M20-7920642R				16.00		
M20-7920842R			24.00	21.20		
M20-7921042R	44.00±0.30	20.20±0.15		26.30	40.40	



NOTES:
1. PRODUCT IS TAPE AND REELED IN GENERAL ACCORDANCE WITH EIA-481 (ELECTRONIC INDUSTRIES ASSOCIATION).
2. FOR CONNECTOR DETAILS AND SPECIFICATIONS, SEE SHEET 3.

SB	3	20.12.17	20936
NAME	ISS.	DATE	C/NOTE
APPROVED:		S.BENNETT	
CHECKED:		F.McGOWAN	
DRAWN:		M.PERREN	
CUSTOMER REF.:			
ASSEMBLY DRG:			

HARWIN
www.harwin.com
technical@harwin.com

THIS DRAWING AND ANY INFORMATION OR DESCRIPTIVE MATTER SET OUT HEREON ARE CONFIDENTIAL AND COPYRIGHT PROPERTY OF THE HARWIN GROUP AND MUST NOT BE DISCLOSED, LOANED, COPIED OR USED FOR MANUFACTURING, TENDERING OR FOR ANY OTHER PURPOSE WITHOUT THEIR WRITTEN PERMISSION.

TOLERANCES
X. = ±1mm
X.X = ±0.50mm
X.XX = ±0.10mm
X.XXX = ±0.01mm
ANGLES = ±5°
UNLESS STATED

MATERIAL:
SEE ABOVE
FINISH: SEE ABOVE
S/AREA: mm²

TITLE:
2.54mm PITCH DIL HORIZONTAL SOCKET, SMT TAPE & REEL
DRAWING NUMBER:
M20-792XX42R
SHT 4 OF 4