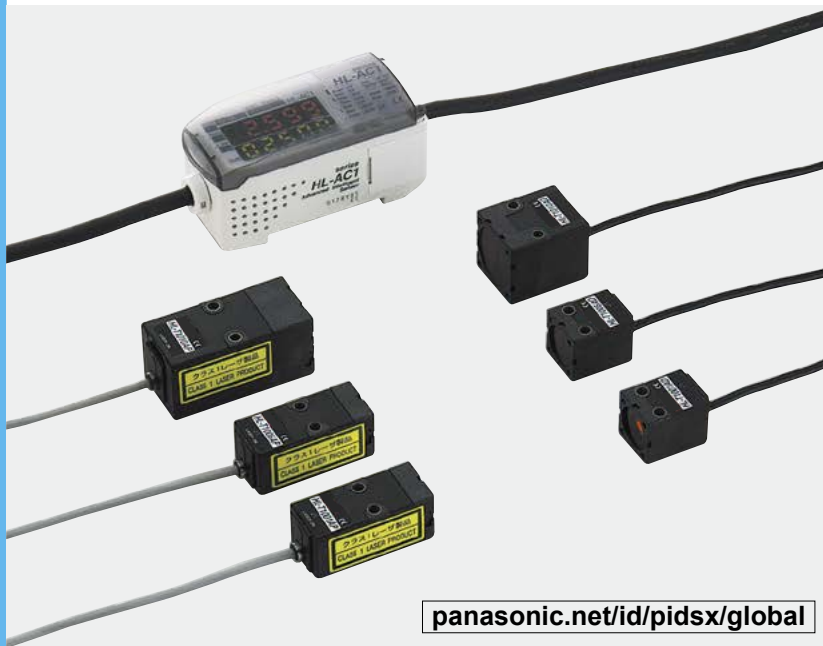


HL-T1 SERIES


Related Information

- General terms and conditions..... F-3
- Selection guide..... P.1021~
- Glossary of terms / General precautions P.1587 / P.1595
- About laser beam P.1593~



panasonic.net/id/pidsx/global

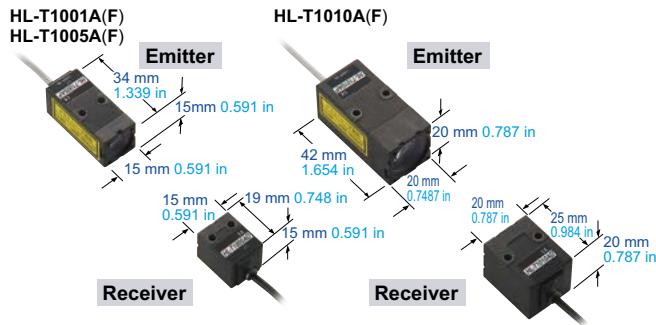


 This product is classified as a Class 1 Laser Product in IEC / JIS standards and a Class II Laser Product in FDA regulations. Do not look at the laser beam through optical system such as a lens.

Ultra-compact sensor head A high-functionality intelligent controller

Ultra-compact sensor head

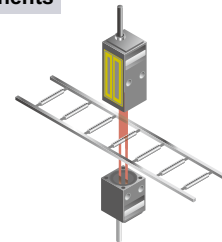
The ultra-compact size and yet the high level of performance. These sensors save space.



Resolution of 4 μm 0.157 mil

A high resolution of 4 μm 0.157 mil (at an average 64 cycles) allows high-precision positioning and size judgment.

Distinguishing size of electronic components



BASIC PERFORMANCE

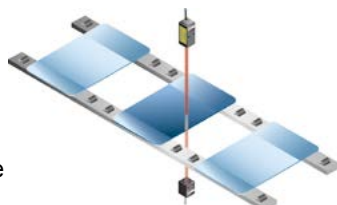
Long sensing range

Long sensing range of 500 mm 19.685 in [HL-T1005A(F), HL-T1010A(F)] and 2 m 6.562 ft [HL-T1001A(F)] are available.

High-precision judgment even from minute differences in light intensity

The sensors are sensitive to minute differences in light intensity, so that they can judge even the opacity of glass. In addition, the amount of light received can be displayed as a percentage to allow you to determine permeation rates.

Distinguishing opacity of glass



Minimum sensing object diameter ø8 μm ø0.315 mil

HL-T1001A(F)

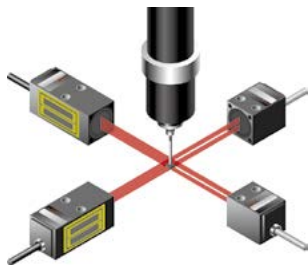
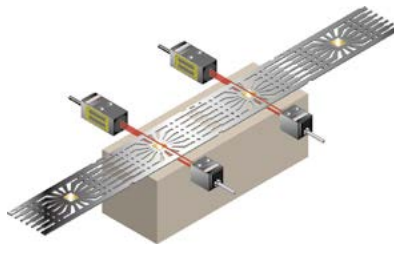
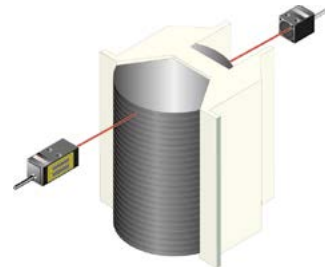
The laser with a beam diameter of ø1 mm ø0.039 in can sense extremely small objects with dimensions in micrometers such as bonding wires.



Adoption of a Class 1 laser

The adoption of a Class 1 laser (IEC / JIS) eliminates the need for safety countermeasures, so that these sensors can be used in photoelectric sensor applications with confidence.

- FIBER SENSORS
- LASER SENSORS
- PHOTOELECTRIC SENSORS
- MICRO PHOTOELECTRIC SENSORS
- AREA SENSORS
- SAFETY LIGHT CURTAINS / SAFETY COMPONENTS
- PRESSURE / FLOW SENSORS
- INDUCTIVE PROXIMITY SENSORS
- PARTICULAR USE SENSORS
- SENSOR OPTIONS
- SIMPLE WIRE-SAVING UNITS
- WIRE-SAVING SYSTEMS
- MEASUREMENT SENSORS
- STATIC CONTROL DEVICES
- LASER MARKERS
- PLC
- HUMAN MACHINE INTERFACES
- ENERGY MANAGEMENT SOLUTIONS
- FA COMPONENTS
- MACHINE VISION SYSTEMS
- UV CURING SYSTEMS
- Selection Guide
- Laser Displacement
- Magnetic Displacement
- Contact Displacement
- Collimated Beam Sensors
- Metal-sheet Double-feed Detection
- Digital Panel Controller
- Other Products
- HL-T1
- LD
- LA

APPLICATIONS**Checking the positioning of chip components****Detecting defective lead frame seating****Sensing wafer position in wafer cassette****FUNCTIONS****Fully equipped with convenient functionality**

A wide range of convenient features has been incorporated into the unit's compact body: standard received light setting / auto scaling setting / measurement processing (various timer and hold functions) / differentiation / monitor focus function. These features make the unit useful for a wide variety of applications.

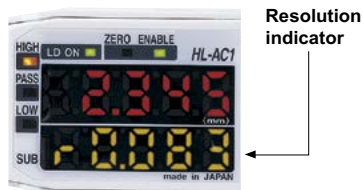
3 types of teaching functions are now available

3 types of teaching functions are available: positioning teaching / 2-point teaching / automatic teaching, thus enabling a variety of applications to be accommodated for many different types of production sites.

Positioning teaching	The actual value measured at the time when teaching is performed is utilized as the threshold value. Best suited for high-precision positioning.
2-point teaching	In this teaching method, an intermediate level between the first and the second teaching levels is utilized as the threshold value. Minute differences, such as changes as small as the thickness of a sheet of paper between the sensing objects, can be detected when this teaching method is utilized.
Automatic teaching	With this teaching method, a series of periodic arbitrarily measurements are taken automatically and an intermediate value, between the maximum and minimum values obtained by this measurement, is utilized as the threshold value. The threshold value is therefore set in relation to the sensing object. Best suited for applications in which teaching must be performed without stopping the current flow of operations.

Detection resolution can be easily confirmed

The current resolution can be easily confirmed by setting the controller to indicate resolution display mode. By displaying the resolution, the marginal increment can be easily determined for the threshold value setting, helping to accurately determine whether sensing can be performed.

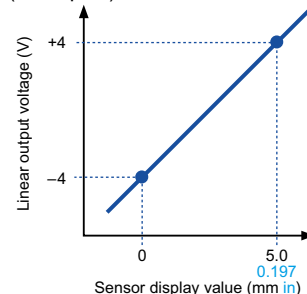
**Analog output is switchable between current / voltage**

The analog output can be switched between either of two different outputs; current (4 to 20 mA) / voltage (± 4 V). With the monitor focus function, the output can be adjusted over the range from -5 V to $+5$ V, or from 0 V to $+5$ V, facilitating connectivity with a variety of output devices.

Monitor focus function

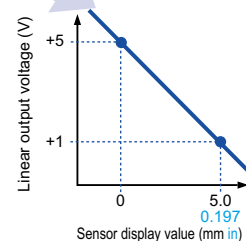
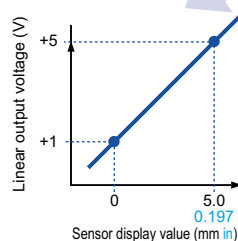
The linear output is fully adjustable over the following range (current: 4 to 20 mA / voltage: ± 4 V). The usage of the monitor focus function together with selectable current / voltage switching for the linear output allows for compatibility with a variety of output devices.

(Examples)



In the event that
5 mm 0.197 in: $+5$ V
0 mm 0 in: $+1$ V

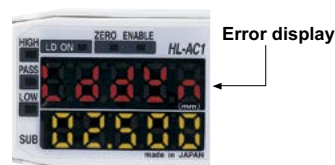
In the event that
5 mm 0.197 in: $+1$ V
0 mm 0 in: $+5$ V



The linear output must be set by determining output values (maximum; current: 0 to 23.5 mA / voltage: ± 5.5 V) at two different points, for the arbitrary display value.

MAINTENANCE**Self-check for laser diode deterioration**

The intelligent controller performs self-checking for laser diode deterioration. If the controller detects significant deterioration (end of diode life), an error will be displayed on the main digital display panel. This function enables users to prepare in advance for potential laser diode malfunctions.



FIBER SENSORS

LASER SENSORS

PHOTOELECTRIC SENSORS

MICRO PHOTOELECTRIC SENSORS

AREA SENSORS

SAFETY LIGHT CURTAINS / SAFETY COMPONENTS

PRESSURE / FLOW SENSORS

INDUCTIVE PROXIMITY SENSORS

PARTICULAR USE SENSORS

SENSOR OPTIONS

SIMPLE WIRE-SAVING UNITS

WIRE-SAVING SYSTEMS

MEASUREMENT SENSORS

STATIC CONTROL DEVICES

LASER MARKERS

PLC

HUMAN MACHINE INTERFACES

ENERGY MANAGEMENT SOLUTIONS

FA COMPONENTS

MACHINE VISION SYSTEMS

UV CURING SYSTEMS

Selection

Guide

Laser

Displacement

Magnetic

Displacement

Contact

Displacement

Collimated

Beam Sensors

Metal-sheet

Double-feed Detection

Digital Panel

Controller

Other Products

HL-T1**LD****LA**

- FIBER SENSORS
- LASER SENSORS
- PHOTO-ELECTRIC SENSORS
- MICRO PHOTO-ELECTRIC SENSORS
- AREA SENSORS
- SAFETY LIGHT CURTAINS / SAFETY COMPONENTS
- PRESSURE / FLOW SENSORS
- INDUCTIVE PROXIMITY SENSORS
- PARTICULAR USE SENSORS
- SENSOR OPTIONS
- SIMPLE WIRE-SAVING UNITS
- WIRE-SAVING SYSTEMS
- MEASURE-MENT SENSORS
- STATIC CONTROL DEVICES
- LASER MARKERS
- PLC
- HUMAN MACHINE INTERFACES
- ENERGY MANAGEMENT SOLUTIONS
- FA COMPONENTS
- MACHINE VISION SYSTEMS
- UV CURING SYSTEMS
- Selection Guide
- Laser Displacement
- Magnetic Displacement
- Contact Displacement
- Collimated Beam Sensors
- Metal-sheet Double-feed Detection
- Digital Panel Controller
- Other Products
- HL-T1**
- LD
- LA

OPERABILITY

Superior operability has been achieved

All settings can be easily performed by using the four-way keys and viewing the digital displays.

Large dual digital display

After power up, the measured value (red) and the threshold value (yellow) are displayed (letter height 7 mm 0.276 in)

Judgment output indicators

HIGH (Orange) / PASS (Green) / LOW (Yellow) 3-color display



Easy operation with four-way keys

OPTIONS

Calculations for 2 sensors are possible

The calculation unit (optional) just needs to be connected between the two controllers to enable calculations (addition and subtraction) to be carried out for two sensors. No digital panel controller is needed either.

Sheet width measurement



ORDER GUIDE

Sensor heads

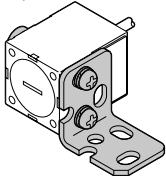
Type	Appearance	Sensing range	Sensing width	Min. sensing object	Conforming standards / regulations	Model No.
Beam diameter $\phi 1$ mm $\phi 0.039$ in type		2 m 6.562 ft	$\phi 1$ to $\phi 2.5$ mm $\phi 0.039$ to $\phi 0.098$ in at 500 to 2,000 mm 19.685 to 78.740 in sensing range	$\phi 8 \mu\text{m}$ $\phi 0.315$ mil opaque object $\phi 50 \mu\text{m}$ $\phi 1.969$ mil opaque object at 500 to 2,000 mm 19.685 to 78.740 in sensing range	IEC / JIS FDA / IEC / JIS	HL-T1001A HL-T1001F
Sensing width 5 mm 0.197 in type		500 mm 19.685 in	5 mm 0.197 in	$\phi 0.05$ mm $\phi 0.002$ in opaque object	IEC / JIS FDA / IEC / JIS	HL-T1005A HL-T1005F
Sensing width 10 mm 0.394 in type		500 mm 19.685 in	10 mm 0.394 in	$\phi 0.1$ mm $\phi 0.004$ in opaque object	IEC / JIS FDA / IEC / JIS	HL-T1010A HL-T1010F

Note: The model No. with "P" shown on the label affixed to the product is the emitter, "D" shown on the label is the receiver.

Accessories

• **MS-HLT1-1**

Sensor mounting bracket for HL-T1001A(F) / HL-T1005A(F) (Note)

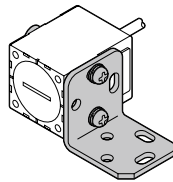


Two M3 (length 20 mm 0.787 in) screws with washers are attached.

Note: 2 sets are required to mount the emitter/receiver.

• **MS-LA3-1**

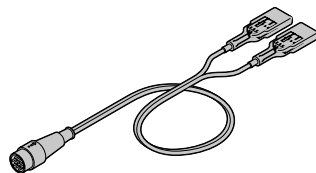
Sensor mounting bracket for HL-T1010A(F) (Note)




Two M3 (length 25 mm 0.984 in) screws with washers are attached.

• **CN-HLT1-1**


(Sensor head to controller connection cable)



ORDER GUIDE**Controllers**

Type	Appearance	Model No.	Output
NPN output		HL-AC1	NPN open-collector transistor (Judgment output) Current/voltage output (Linear output)
PNP output		HL-AC1P	PNP open-collector transistor (Judgment output) Current/voltage output (Linear output)

Calculation unit

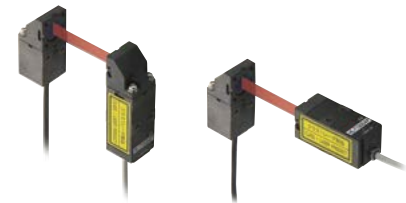
Appearance	Model No.
	HL-AC1-CL

OPTIONS

Designation	Model No.	Description	
Side-view attachment	HL-T1SV1	For HL-T1001A(F) / T1005A(F) (1 pc.)	The beam axis can be bent to a right angle making universal mounting possible.
	HL-T1SV2	For HL-T1010A(F) (1 pc.)	
Controller mounting bracket	MS-HLAC1-1	Use when mounting the controller with screws.	
Extension cable	HL-T1CCJ4	Length: 4 m 13.123 ft Net weight: 162 g approx.	Extension cable for use between the controller and its cable linking it with the sensor head. Cable type with connectors on both ends Cable outer diameter: $\phi 5.2$ mm $\phi 0.205$ in Connector outer diameter: $\phi 15.5$ mm $\phi 0.610$ in max.
	HL-T1CCJ8	Length: 8 m 26.247 ft Net weight: 330 g approx.	

Side-view attachment

- HL-T1SV1
- HL-T1SV2

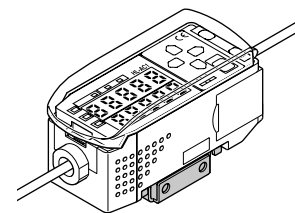


Mounted on both sides

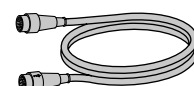
Mounted on one side only

Controller mounting bracket

- MS-HLAC1-1

**Extension cable**

- HL-T1CCJ4
- HL-T1CCJ8

FIBER
SENSORSLASER
SENSORSPHOTO-
ELECTRIC
SENSORSMICRO
PHOTO-
ELECTRIC
SENSORSAREA
SENSORSSAFETY LIGHT
CURTAINS/
SAFETY
COMPONENTSPRESSURE /
FLOW
SENSORSINDUCTIVE
PROXIMITY
SENSORSPARTICULAR
USE
SENSORSSENSOR
OPTIONSSIMPLE
WIRE-SAVING
UNITSWIRE-SAVING
SYSTEMSMEASURE-
MENT
SENSORSSTATIC
CONTROL
DEVICESLASER
MARKERS

PLC

HUMAN
MACHINE
INTERFACESENERGY
MANAGEMENT
SOLUTIONSFA
COMPONENTSMACHINE
VISION
SYSTEMSUV
CURING
SYSTEMSSelection
GuideLaser
DisplacementMagnetic
DisplacementContact
DisplacementCollimated
Beam
SensorsMetal-sheet
Double-feed
DetectionDigital Panel
ControllerOther
Products**HL-T1**

LD

LA

SPECIFICATIONS

Sensor heads

Item	Model No.	Type	Beam diameter \varnothing 1 mm 0.039 in type	Sensing width 5 mm 0.197 in type	Sensing width 10 mm 0.394 in type
		IEC / JIS conformed type	HL-T1001A	HL-T1005A	HL-T1010A
FDA conformed type	HL-T1001F	HL-T1005F	HL-T1010F		
CE marking directive compliance		EMC Directive, RoHS Directive			
Applicable controller		HL-AC1, HL-AC1P			
Sensing range		0 to 500 mm 0 to 19.685 in	500 to 2,000 mm 19.685 to 78.74 in	500 mm 19.685 in	
Sensing width		\varnothing 1 mm 0.039 in	\varnothing 1 to \varnothing 2.5 mm 0.039 to 0.098 in	5 mm 0.197 in	10 mm 0.394 in
Min. sensing object		\varnothing 8 μ m 0.315 mil opaque object	\varnothing 50 μ m 1.969 mil opaque object	\varnothing 0.05 mm 0.002 in opaque object	\varnothing 0.1 mm 0.004 in opaque object
Repeatability (During the state in which light is half blocked)		4 μ m 0.157 mil (Note 2)	————	4 μ m 0.157 mil (Note 2)	
Linear output resolution (Note 3)		4 μ m 0.157 mil (Note 2, 4)	————	4 μ m 0.157 mil (Note 2)	
Emission indicator		Green LED (lights up during laser emission)			
Interference prevention function		Two units of sensors can be mounted close together. (When the controller interference prevention function is used)			
Environmental resistance	Pollution degree	3 (industrial environment)			
	Ambient temperature	0 to +50 °C +32 to +122 °F (No dew condensation allowed), Storage: -25 to +70 °C -13 to +158 °F			
	Ambient humidity	35 to 85 % RH, Storage: 35 to 85 % RH			
	Ambient illuminance	Incandescent light: 10,000 lx or less at the light-receiving face			
	Voltage withstandability	1,000 V AC for one min. between all supply terminals connected together and enclosure			
	Insulation resistance	100 M Ω , or more, with 250 V DC megger between all supply terminals connected together and enclosure			
	Vibration resistance	10 to 500 Hz frequency, 1.5 mm 0.059 in double amplitude in X, Y and Z directions for two hours each			
	Shock resistance	300 m/s ² acceleration (30 G approx.) in X, Y and Z directions three times each			
Emitting element	IEC / JIS conformed type	Red semiconductor laser Class 1 (IEC / JIS) (modulated, max. output: 0.2 mW, peak emission wavelength: 650 nm 0.026 mil)	Red semiconductor laser Class 1 (IEC / JIS) (modulated, max. output: 0.35 mW, peak emission wavelength: 650 nm 0.026 mil)		
	FDA conformed type	Red semiconductor laser Class II (FDA) (modulated, max. output: 0.2 mW, peak emission wavelength: 650 nm 0.026 mil) (IEC / JIS: Class 1)	Red semiconductor laser Class II (FDA) (modulated, max. output: 0.35 mW, peak emission wavelength: 650 nm 0.026 mil) (IEC / JIS: Class 1)		
Material		Enclosure: Polyetherimide, Case cover: Polycarbonate, Front cover: Glass			
Cable		0.09mm ² 3-core shielded cable with connector, 0.5 m 1.640 ft long			
Cable extension		Extension up to total 10 m 32.808 ft is possible, with the optional cable.			
Net weight		Emitter: 15 g approx., Receiver: 15 g approx.		Emitter: 30 g approx., Receiver: 20 g approx.	
Accessories		MS-HLT1-1 (Sensor head mounting bracket): One set of two brackets for both the emitter and the receiver CN-HLT1-1 (Sensor head to controller connection cable): 1 cable Laser beam alignment sticker: 2 pcs. Label set (FDA conformed type only): 1 set		MS-LA3-1 (Sensor head mounting bracket): One set of two brackets for both the emitter and the receiver CN-HLT1-1 (Sensor head to controller connection cable): 1 cable Laser beam alignment sticker: 2 pcs. Label set (FDA conformed type only): 1 set	

Notes: 1) Where measurement conditions have not been specified precisely, the conditions used were an ambient temperature of +20 °C **+68 °F**.
 2) In case of an average sampling rate of 64 times.
 3) Value calculated with the linear output allowance factor ($\pm 3 \sigma$) when connected to the controller included in the calculation of the detection width.
 4) This value was obtained by converting the range of linear output fluctuation ($\pm 3 \sigma$) into a sensing width, assuming that the smallest sensing object blocks the beam at the approximate center of the beam diameter of \varnothing 1 mm **0.039 in**.

Calculation unit

Item	Model No.	HL-AC1-CL
		CE marking directive compliance
Connected controller		HL-AC1, HL-AC1P
Current consumption		12 mA or less (supplied from the controller)
Connecting method		Connector
Connection indicator		Orange LED (lights up when connected to the controller)
Environmental resistance	Ambient temperature	0 to +50 °C +32 to +122 °F (No dew condensation allowed), Storage: -15 to +60 °C +5 to +140 °F
	Ambient humidity	35 to 85 % RH, Storage: 35 to 85 % RH
	Voltage withstandability	1,000 V AC for one min. between all supply terminals connected together and enclosure
	Insulation resistance	100 M Ω , or more, with 500 V DC megger between all supply terminals connected together and enclosure
	Vibration resistance	10 to 150 Hz frequency, 0.7 mm 0.028 in double amplitude in X, Y and Z directions for 80 min.
	Shock resistance	300 m/s ² acceleration (30 G approx.) in X, Y and Z directions three times each
Material		Enclosure: ABS, Indicator part: Acrylic
Weight		Net weight: 50 g approx.

Note: Where measurement conditions have not been specified precisely, the conditions used were an ambient temperature of +20 °C **+68 °F**.

FIBER SENSORS
 LASER SENSORS
 PHOTO-ELECTRIC SENSORS
 MICRO PHOTO-ELECTRIC SENSORS
 AREA SENSORS
 SAFETY LIGHT CURTAINS / SAFETY COMPONENTS
 PRESSURE / FLOW SENSORS
 INDUCTIVE PROXIMITY SENSORS
 PARTICULAR USE SENSORS
 SENSOR OPTIONS
 SIMPLE WIRE-SAVING UNITS
 WIRE-SAVING SYSTEMS
 MEASURE-HEAT SENSORS
 STATIC CONTROL DEVICES
 LASER MARKERS
 PLC
 HUMAN MACHINE INTERFACES
 ENERGY MANAGEMENT SOLUTIONS
 FA COMPONENTS
 MACHINE VISION SYSTEMS
 UV CURING SYSTEMS
 Selection Guide
 Laser Displacement
 Magnetic Displacement
 Contact Displacement
 Collimated Beam Sensors
 Metal-sheet Double-feed Detection
 Digital Panel Controller
 Other Products
HL-T1
 LD
 LA

SPECIFICATIONS**Controllers**

Item	Type	NPN output	PNP output			
	Model No.	HL-AC1	HL-AC1P			
CE marking directive compliance		EMC Directive, RoHS Directive				
Applicable sensor head		HL-T1001A/T1001F, HL-T1005A/T1005F, HL-T1010A/T1010F				
Supply voltage / Current consumption		12 to 24 V DC $\pm 10\%$ Ripple P-P 10 % or less / 190 mA or less (when connected to the sensor head)				
Measuring cycle		150 μ s				
Linear output		Current / voltage output switchable (Note 2) <ul style="list-style-type: none"> • During current output: 4 to 20 mA/F.S., Maximum load resistance: 300 Ω • During voltage output: ± 4 V/F.S., Output impedance 100 Ω (In the monitor focus function, it can also be set at ± 5 V, 0 to 5 V, etc.)				
	Temperature characteristics	$\pm 0.2\%$ F.S./ $^{\circ}$ C (Note 3)				
Settable average sampling rate (Note 4)		1 / 2 / 4 / 8 / 16 / 32 / 64 / 128 / 256 / 512 / 1,024 / 2,048 / 4,096				
Judgment outputs (HIGH, PASS, LOW)		NPN open-collector transistor <ul style="list-style-type: none"> • Maximum sink current: 50 mA • Applied voltage: 30 V DC or less (between judgment output and 0 V) • Residual voltage: 1.2 V or less (at 50 mA sink current) 	PNP open-collector transistor <ul style="list-style-type: none"> • Maximum source current: 50 mA • Applied voltage: 30 V DC or less (between judgment output and +V) • Residual voltage: 2 V or less (at 50 mA source current) 			
	Utilization category	DC-12 or DC-13				
Number of outputs		HIGH / PASS / LOW 3 values output				
Output operation		HIGH: ON when measured value > HIGH threshold value PASS: ON when HIGH threshold value \geq measured value \geq LOW threshold value LOW: ON when LOW threshold value > measured value				
Short-circuit protection		Incorporated				
Laser OFF input		0 V connection: Laser emission halt Open: Laser emission <ul style="list-style-type: none"> • Applied voltage: 30 V DC or less (leak current: 0.1 mA or less) 	+V connection: Laser emission halt Open: Laser emission <ul style="list-style-type: none"> • Applied voltage: 30 V DC or less (leak current: 0.1 mA or less) 			
	Zero reset input	0 V connection: Zero reset operates Open: Zero reset ineffective <ul style="list-style-type: none"> • Applied voltage: 30 V DC or less (leak current: 0.1 mA or less) 	+V connection: Zero reset operates Open: Zero reset ineffective <ul style="list-style-type: none"> • Applied voltage: 30 V DC or less (leak current: 0.1 mA or less) 			
Timing input		0 V connection: Effective Open: Ineffective <ul style="list-style-type: none"> • Applied voltage: 30 V DC or less (leak current: 0.1 mA or less) 	+V connection: Effective Open: Ineffective <ul style="list-style-type: none"> • Applied voltage: 30 V DC or less (leak current: 0.1 mA or less) 			
	Reset input	0 V connection: Effective Open: Ineffective <ul style="list-style-type: none"> • Applied voltage: 30 V DC or less (leak current: 0.1 mA or less) 	+V connection: Effective Open: Ineffective <ul style="list-style-type: none"> • Applied voltage: 30 V DC or less (leak current: 0.1 mA or less) 			
Indicators	Laser emitting (LD ON)	Green LED (lights up during laser emission)				
	Judgment outputs	HIGH: Orange LED (lights up when measured value > HIGH threshold value) PASS: Green LED (lights up when HIGH threshold value \geq measured value \geq LOW threshold value) LOW: Yellow LED (lights up when LOW threshold value > measured value)				
	Enable (ENABLE)	Green LED (lights up during normal operation)				
	Zero reset (ZERO)	Green LED (lights up when the zero reset function is enabled)				
Main digital display	5 digit red LED display [RUN mode: Either the measured value (mm) or the hold value will be displayed. Reverse mode: The display orientation will be reversed.]					
Sub-digital display	5 digit yellow LED display [RUN mode: Either the resolution or laser beam reception amount will be displayed. THR mode: The threshold value will be displayed., Reverse mode: The display orientation will be reversed.]					
Main functions		<ul style="list-style-type: none"> • Measured value display • Setting value, light amount value • Standard received light resolution display • Automatic scaling • Scaling 	<ul style="list-style-type: none"> • Display reverse • Display digits limitation • Sample hold • Peak hold • Bottom hold • Peak to peak hold • Self peak hold • Self bottom hold 	<ul style="list-style-type: none"> • Zero reset • Initial reset • ON-delay timer • OFF-delay timer • One-shot timer • Differentiation • Sensitivity selection • Threshold value direct setting 	<ul style="list-style-type: none"> • Positioning teaching • 2-point teaching • Automatic teaching • Hysteresis width variability • Monitor focus • Non-measuring time setting • (A - B) calculation (Note 5) 	<ul style="list-style-type: none"> • (A + B) calculation (Note 5) • Mutual interference prevention (Note 5) • Laser deterioration detection • Key lock • Zero reset memory
Environmental resistance	Pollution degree	3 (industrial environment)				
	Ambient temperature	0 to +50 $^{\circ}$ C +32 to +122 $^{\circ}$ F (No dew condensation allowed), Storage: -25 to +65 $^{\circ}$ C -13 to +149 $^{\circ}$ F				
	Ambient humidity	35 to 85 % RH, Storage: 35 to 85 % RH				
	Voltage withstandability	1,000 V AC for one min. between all supply terminals connected together and enclosure				
	Insulation resistance	20 M Ω , or more, with 500 V DC megger between all supply terminals connected together and enclosure				
	Vibration resistance	10 to 150 Hz frequency, 0.7 mm 0.028 in double amplitude in X, Y and Z directions for 80 min.				
Shock resistance	300 m/s ² acceleration (30 G approx.) in X, Y and Z directions three times each					
Material	Enclosure: Polybutylene terephthalate, Transparent cover: Polycarbonate					
I/O cable	0.09 mm ² 10-core composite cable, 2 m 6.562 ft long					
I/O cable extension	Extension up to total 10 m 32.808 ft is possible, with 0.09 mm ² or more, cable. (Note 6)					
Weight	Net weight: 140 g approx.					

Notes: 1) Where measurement conditions have not been specified precisely, the conditions used were an ambient temperature of +20 $^{\circ}$ C +68 $^{\circ}$ F.

2) Switching between current and voltage is accomplished by a switch on the bottom of the controller.

3) This is a typical value when the sensor head is connected.

4) The judgment output and linear output and linear output response time is calculated by (Measuring cycle) \times (Set average sampling rate + 1).

5) The calculation unit is necessary.

6) If the extension cable is longer than 10 m 32.808 ft, then it will not qualify for CE marking.

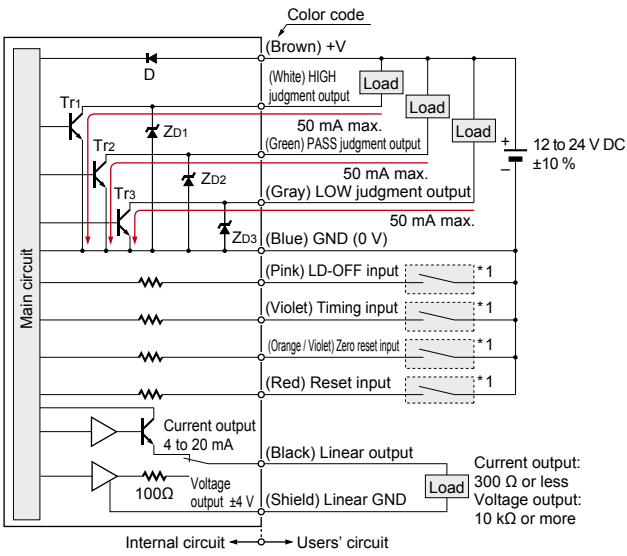
FIBER
SENSORSLASER
SENSORSPHOTO-
ELECTRIC
SENSORSMICRO
PHOTO-
ELECTRIC
SENSORSAREA
SENSORSSAFETY LIGHT
CURTAINS/
SAFETY
COMPONENTSPRESSURE /
FLOW
SENSORSINDUCTIVE
PROXIMITY
SENSORSPARTICULAR
USE
SENSORSSENSOR
OPTIONSSIMPLE
WIRE-SAVING
UNITSWIRE-SAVING
SYSTEMSMEASURE-
MENT
SENSORSSTATIC
CONTROL
DEVICESLASER
MARKERS

PLC

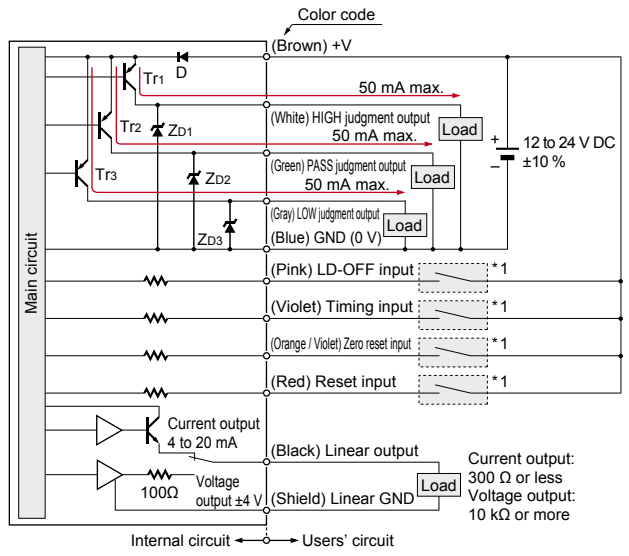
HUMAN
MACHINE
INTERFACESENERGY
MANAGEMENT
SOLUTIONSFA
COMPONENTSMACHINE
VISION
SYSTEMSUV
CURING
SYSTEMSSelection
GuideLaser
DisplacementMagnetic
DisplacementContact
DisplacementCollimated
Beam
SensorsMetal-sheet
Double-feed
DetectionDigital Panel
ControllerOther
Products**HL-T1****LD****LA**

I/O CIRCUIT DIAGRAMS

HL-AC1 NPN output type



HL-AC1P PNP output type



Symbols ... D: Reverse supply polarity protection diode
ZD1, ZD2, ZD3: Surge absorption zener diode
Tr1, Tr2, Tr3: NPN output transistor

Symbols ... D: Reverse supply polarity protection diode
ZD1, ZD2, ZD3: Surge absorption zener diode
Tr1, Tr2, Tr3: PNP output transistor

* 1
Non-voltage contact or NPN open-collector transistor

• LD-OFF input, Timing input, Zero reset input, Reset input
Low (0 to 1.5 V): Effective
High (+V or open): Ineffective

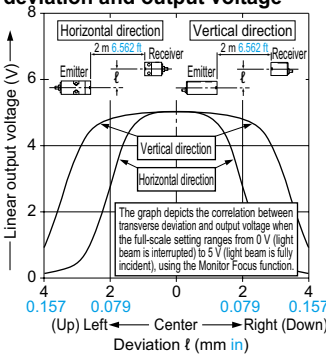
* 1
Non-voltage contact or PNP open-collector transistor

• LD-OFF input, Timing input, Zero reset input, Reset input
Low (0 V or open): Ineffective
High [+V to (+V -1.5 V)]: Effective

SENSING CHARACTERISTICS (TYPICAL)

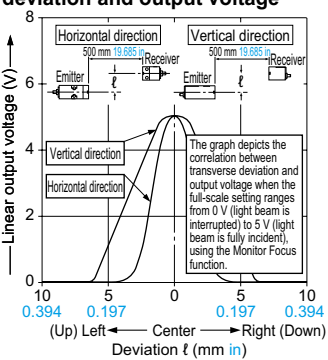
HL-T1001A HL-T1001F

Correlation between transverse deviation and output voltage

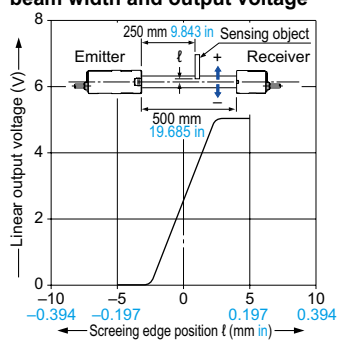


HL-T1005A HL-T1005F

Correlation between transverse deviation and output voltage

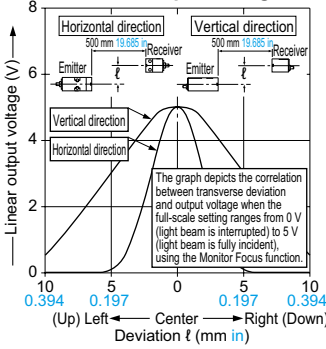


Correlation between interrupted beam width and output voltage

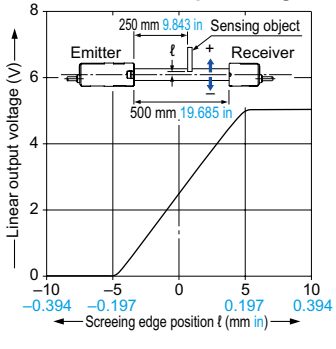


HL-T1010A HL-T1010F

Correlation between transverse deviation and output voltage



Correlation between interrupted beam width and output voltage



SELECTION GUIDE

- Laser Displacement
- Magnetic Displacement
- Contact Displacement
- Collimated Beam Sensors
- Metal-sheet Double-feed Detection
- Digital Panel Controller
- Other Products

HL-T1

- LD
- LA

FIBER SENSORS

LASER SENSORS

PHOTO-ELECTRIC SENSORS

MICRO PHOTO-ELECTRIC SENSORS

AREA SENSORS

SAFETY LIGHT CURTAINS / SAFETY COMPONENTS

PRESSURE / FLOW SENSORS

INDUCTIVE PROXIMITY SENSORS

PARTICULAR USE SENSORS

SENSOR OPTIONS

WIRE-SAVING UNITS

WIRE-SAVING SYSTEMS

MEASURE-MENT SENSORS

STATIC CONTROL DEVICES

LASER MARKERS

PLC

HUMAN MACHINE INTERFACES

ENERGY MANAGEMENT SOLUTIONS

FA COMPONENTS

MACHINE VISION SYSTEMS

UV CURING SYSTEMS

PRECAUTIONS FOR PROPER USE

Refer to p.1595 for general precautions and p.1593~ for information about laser beam.

- This catalog is a guide to select a suitable product. Be sure to read instruction manual attached to the product prior to its use.



- Never use this product as a sensing device for personnel protection.
- In case of using sensing devices for personnel protection, use products which meet laws and standards, such as OSHA, ANSI or IEC etc., for personnel protection applicable in each region or country.



- This product is classified as a Class 1 Laser Product in IEC / JIS regulations and a Class II Laser Product in FDA regulations. Do not look at the laser beam through optical system such as a lens.
- The following label is attached to the product. Handle the product according to the instruction given on the warning label.



(The English warning label based on FDA regulations is pasted on the FDA conformed type.)

Safety standards for laser beam products

- A laser beam can harm human being's eyes, skin, etc., because of its high energy density. IEC has classified laser products according to the degree of hazard and the stipulated safety requirements. The **HL-T1** series is classified as Class 1 laser.

Classification by IEC 60825-1

Classification	Description
Class 1	Lasers that are safe under reasonably foreseeable conditions of operation, including the use of optical instruments for intrabeam viewing.

Safe use of laser products

- For the purpose of preventing users from suffering injuries by laser products, IEC 60825-1 "Safety of laser products". Kindly check the standards before use. (Refer to p.1593~ for information about laser beam.)

Functions

Function	Details
Zero reset function	The following tasks can be done by executing zero reset. <ul style="list-style-type: none"> • The display value can be set at "0". • The linear output when the display reads "0" is made the center output value of the 2 points set by monitor focus. (In the default state, the current output is 12 mA and the voltage output is 0 V.)
Auto scaling function	The auto scaling function selects whether to display the laser beam reception amount in the main-digital display in "mm" units or in "%" units, and determines whether the amount of laser beam received or the amount of laser beam interrupted is displayed. With the set standard laser beam reception amount as the reference value, the current laser beam reception amount (laser beam interrupted amount) is scaled automatically and is displayed as well as being output.
Standard received light setting	This function registers and stores the current laser beam reception amount in memory as the standard laser beam reception amount. The laser beam reception amount during full laser beam entry becomes the 100 % laser beam reception amount's full scale (F.S.). If this function is used, the display and the linear output are set on the full scale (F.S.) automatically. It can also be used to correct the laser beam reception amount when there is a change in the laser beam reception amount due to dirt, etc. on the front glass.
Scaling function	The scaling function is a function that changes the display value to the desired amount with respect to the setting value. At the desired distance, the display value can be input and changed.
Hysteresis width setting function	This function sets the hysteresis to the desired value.
Monitor focus function	With this function, the linear output range and inclination, etc. with respect to the display value can be specified. Setting is done by determining the 2 output values with respect to the desired display values.
Differential function	This function makes the amount of change in the measured value an output value. Use this function when measuring if you are paying attention to changes in measured values, as when counting the number of workpieces, etc.
Display reverse function	The digital display's direction can be selected. The forward direction or the reverse direction to match the direction of installation on the equipment can be selected.
ECO display function	This function makes the display dark and saves electric power.
Display digits limitation function	This determines the number of display digits in the main-digital and sub-digital displays. If the number of digits is limited, the digits are turned off beginning with the lowest order digit.
Zero reset memory function	This selects whether or not to save the zero reset level in memory when the power is turned OFF. If you desire to reproduce the zero reset level from the previous operating session when you turn the power ON again, then enable this function. If this function is enabled, the zero reset level data are written into the EEPROM each time.
Key lock function	The controller's key input can be disabled. Once the key input is disabled, the controller will not accept any key inputs until the key lock is released. Use this function to avoid changing the setting by mistake.

Connection

- This product is made to satisfy the specifications when the sensor head is combined with the controller. In any other combination, not only may it not satisfy the specifications, but could be the cause of breakdown. So by all means, use it so that there is a combination of the sensor head and the controller.

FIBER
SENSORSLASER
SENSORSPHOTO-
ELECTRIC
SENSORSMICRO
PHOTO-
ELECTRIC
SENSORSAREA
SENSORSSAFETY LIGHT
CURTAINS/
SAFETY
COMPONENTSPRESSURE /
FLOW
SENSORSINDUCTIVE
PROXIMITY
SENSORSPARTICULAR
USE
SENSORSSENSOR
OPTIONSSIMPLE
WIRE-SAVING
UNITSWIRE-SAVING
SYSTEMSMEASURE-
MENT
SENSORSSTATIC
CONTROL
DEVICESLASER
MARKERS

PLC

HUMAN
MACHINE
INTERFACESENERGY
MANAGEMENT
SOLUTIONSFA
COMPONENTSMACHINE
VISION
SYSTEMSUV
CURING
SYSTEMSSelection
GuideLaser
DisplacementMagnetic
DisplacementContact
DisplacementCollimated
Beam
SensorsMetal-sheet
Double-feed
DetectionDigital Panel
ControllerOther
Products

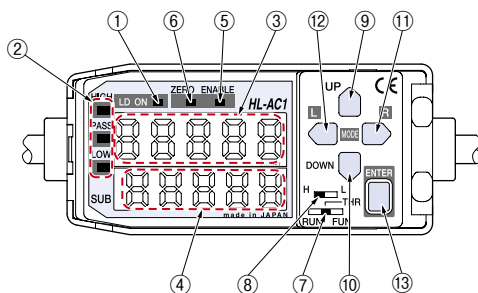
HL-T1






LD

LA

PRECAUTIONS FOR PROPER USE

Refer to p.1595 for general precautions and p.1593~ for information about laser beam.

Functional description

	Description	Function
①	Laser emitting indicator (LD ON) (Green LED)	Lights up when the sensor head is emitting laser beam.
②	Judgment output indicators (HIGH / PASS / LOW) (Orange / Green / Yellow LED)	HIGH: Orange LED (lights up when measured value > HIGH threshold value) PASS: Green LED (lights up when HIGH threshold value ≥ measured value ≥ LOW threshold value) LOW: Yellow LED (lights up when LOW threshold value > measured value)
③	Main digital display (5 digit red LED)	When in the RUN mode, it displays the measured value (mm/%). During measurement hold, it displays the hold value (mm/%). In Reverse mode, the top and bottom are displayed in reverse.
④	Sub-digital display (5 digit yellow LED)	When in the RUN mode, it displays the threshold value, voltage / current value, light reception amount or resolution. When in the THR mode, it displays the respective threshold values. In reverse mode, the top and bottom are displayed in reverse.
⑤	Enable indicator (ENABLE) (Green LED)	Lights up when operation is normal. Goes off when operation is abnormal (if the sensor head is not connected when the power is turned on).
⑥	Zero reset indicator (ZERO) (Green LED)	Lights up when the zero reset function is enabled.
⑦	Mode selection switch	The following 3 modes can be selected. • RUN mode: Measuring mode • THR mode: The threshold values are set in this mode. • FUN mode: Each of the settings are set in this mode.
⑧	Threshold value select switch	When in the THR / RUN mode, this switches the set threshold value (HIGH / LOW).
⑨	UP key 	• RUN mode: Timing input • THR mode: Changes the threshold value (forward direction) • FUN mode: Changes the function setting value (forward direction)
⑩	DOWN key 	• RUN mode: Press for 3 sec. or more: Standard light reception amount setting input • THR mode: Changes the threshold value (reverse direction) • FUN mode: Changes the function setting value (reverse direction)
⑪	RIGHT key 	• RUN mode: Changes the contents of the sub-digital display (forward direction) • THR mode: Changes the threshold value digit (forward direction) • FUN mode: Sets function selection (forward direction)
⑫	LEFT key 	• RUN mode: Changes the contents of the sub-digital display (reverse direction) • THR mode: Changes the threshold value digit (reverse direction) • FUN mode: Sets function selection (reverse direction)
⑬	ENT key 	• RUN mode: Pressing for 1 sec. or more, executes zero reset. Pressing together with the RIGHT key for 3 sec. or more, cancels zero reset. • THR mode: When threshold value is blinking, the threshold value is set. When the threshold value lights up, teaching is executed. • FUN mode: When the set value is blinking, the value is set. When the setting is being initialized, pressing for a long time executes initialization.

HL-T1**Others****LD****LA**

- This product outputs the judgment of the laser light analog quantity. Since there is variation in the light intensity between the center and the edges of the detection area, and the emitter side and the receiver side, the "display value" does not equal "the actual dimensions", so caution is necessary. Use the displayed dimensional value as a criterion.
- If the object being measured has a mirror surface or is a transparent body, it may be impossible to measure it accurately, so please exercise caution.
- Absolutely do not attempt to disassemble this product.

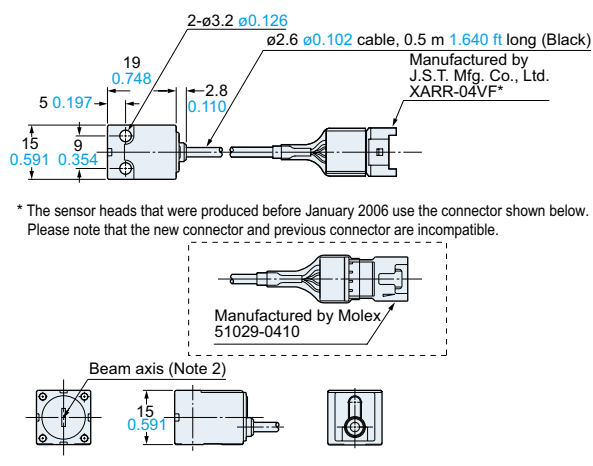
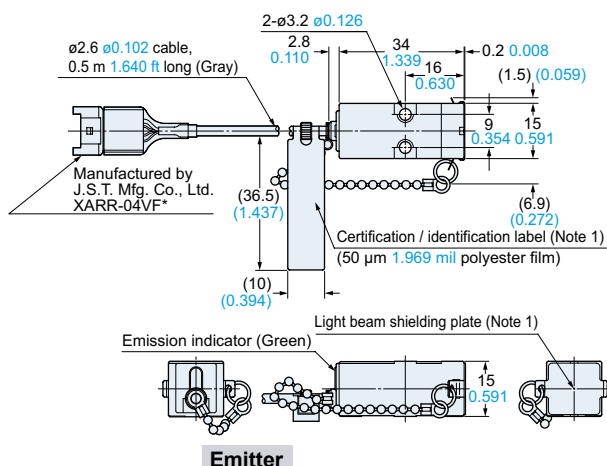
FIBER SENSORS
LASER SENSORS
PHOTO-ELECTRIC SENSORS
MICRO PHOTO-ELECTRIC SENSORS
AREA SENSORS
SAFETY LIGHT CURTAINS / SAFETY COMPONENTS
PRESSURE / FLOW SENSORS
INDUCTIVE PROXIMITY SENSORS
PARTICULAR USE SENSORS
SENSOR OPTIONS
SIMPLE WIRE-SAVING UNITS
WIRE-SAVING SYSTEMS
MEASURE-NEXT SENSORS
STATIC CONTROL DEVICES
LASER MARKERS
PLC
HUMAN MACHINE INTERFACES
ENERGY MANAGEMENT SOLUTIONS
FA COMPONENTS
MACHINE VISION SYSTEMS
UV CURING SYSTEMS
Selection Guide
Laser Displacement
Magnetic Displacement
Contact Displacement
Collimated Beam Sensors
Metal-sheet Double-feed Detection
Digital Panel Controller
Other Products

DIMENSIONS (Unit: mm in)

The CAD data can be downloaded from our website.

HL-T1001A(F) HL-T1005A(F)

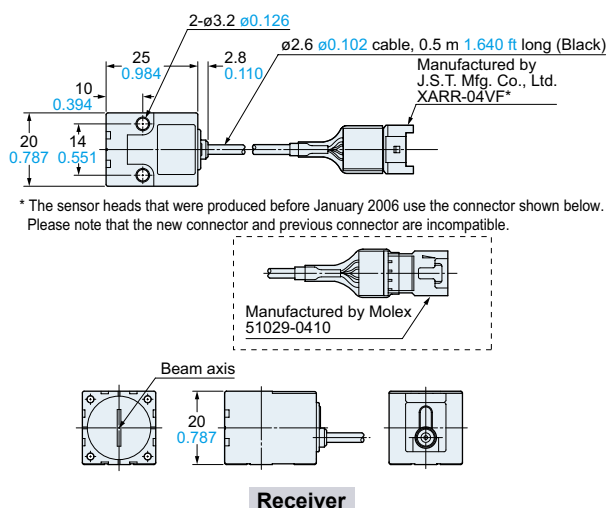
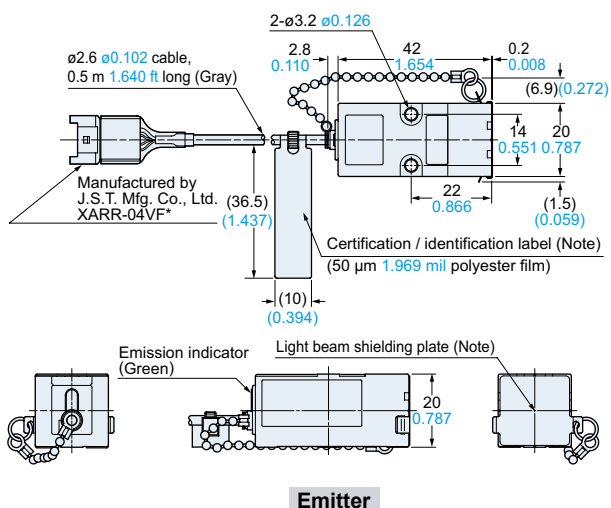
Sensor head



Notes: 1) IEC / JIS conforming products do not contain light beam shielding plate, or certification / identification label.
2) The receiver of HL-T1001A(F) does not incorporate a slit.

HL-T1010A HL-T1010F

Sensor head

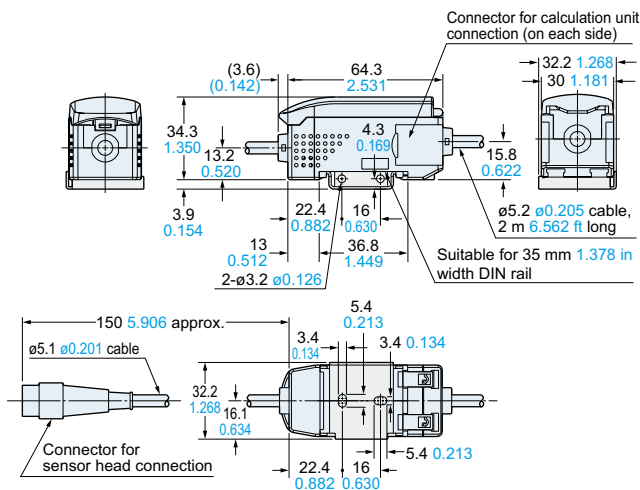


Note: IEC / JIS conforming products do not contain light beam shielding plate, or certification/identification label.

HL-AC1 HL-AC1P

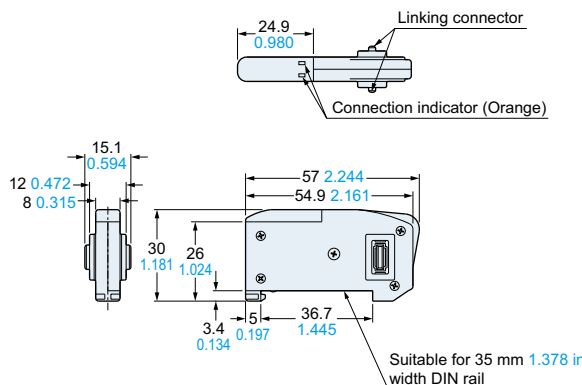
Controller

Mounting drawing with a mounting bracket MS-HLAC1-1 (Optional)



HL-AC1-CL

Calculation unit (Optional)



FIBER SENSORS

LASER SENSORS

PHOTO-ELECTRIC SENSORS

MICRO PHOTO-ELECTRIC SENSORS

AREA SENSORS

SAFETY LIGHT CURTAINS / SAFETY COMPONENTS

PRESSURE / FLOW SENSORS

INDUCTIVE PROXIMITY SENSORS

PARTICULAR USE SENSORS

SENSOR OPTIONS

SIMPLE WIRE-SAVING UNITS

WIRE-SAVING SYSTEMS

MEASUREMENT SENSORS

STATIC CONTROL DEVICES

LASER MARKERS

PLC

HUMAN MACHINE INTERFACES

ENERGY MANAGEMENT SOLUTIONS

FA COMPONENTS

MACHINE VISION SYSTEMS

UV CURING SYSTEMS

Selection Guide

Laser Displacement

Magnetic Displacement

Contact Displacement

Collimated Beam Sensors

Metal-sheet Double-feed Detection

Digital Panel Controller

Other Products

HL-T1

LD

LA

DIMENSIONS (Unit: mm in)

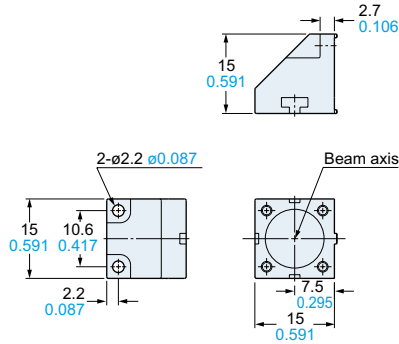
The CAD data can be downloaded from our website.

HL-T1SV1

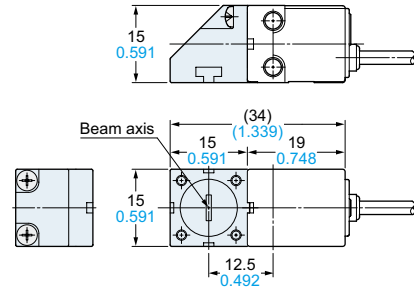
Side-view attachment for **HL-T1001A(F)** / **HL-T1005A(F)** (Optional)

Assembly dimensions

Mounting drawing with **HL-T1005A**'s receiver



Material: Polyetherimide (Enclosure), Glass (Front cover)
Two M2 (length 6 mm 0.236 in) screws with washers are attached.

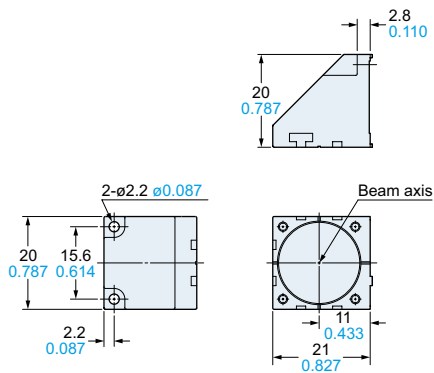


HL-T1SV2

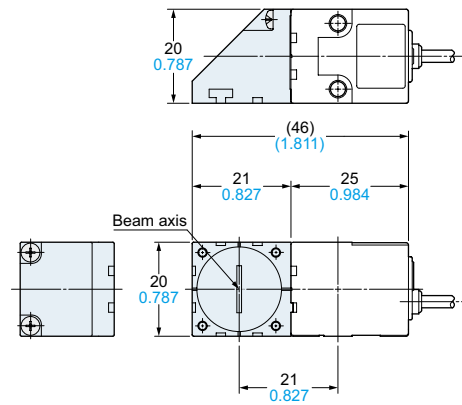
Side-view attachment for **HL-T1010A(F)** (Optional)

Assembly dimensions

Mounting drawing with **HL-T1010A**'s receiver



Material: Polyetherimide (Enclosure), Glass (Front cover)
Two M2 (length 6 mm 0.236 in) screws with washers are attached.



FIBER SENSORS

LASER SENSORS

PHOTO-ELECTRIC SENSORS

MICRO PHOTO-ELECTRIC SENSORS

AREA SENSORS

SAFETY LIGHT CURTAINS / SAFETY COMPONENTS

PRESSURE / FLOW SENSORS

INDUCTIVE PROXIMITY SENSORS

PARTICULAR USE SENSORS

SENSOR OPTIONS

SIMPLE WIRE-SAVING UNITS

WIRE-SAVING SYSTEMS

MEASUREMENT SENSORS

STATIC CONTROL DEVICES

LASER MARKERS

PLC

HUMAN MACHINE INTERFACES

ENERGY MANAGEMENT SOLUTIONS

FA COMPONENTS

MACHINE VISION SYSTEMS

UV CURING SYSTEMS

Selection Guide

Laser Displacement

Magnetic Displacement

Contact Displacement

Collimated Beam Sensors

Metal-sheet Double-feed Detection

Digital Panel Controller

Other Products

HL-T1

LD

LA