

THE INFORMATION CONTAINED HEREIN IS CONSIDERED "PROPRIETARY" TO BEL FUSE INC. AND SHALL NOT BE COPIED, REPRODUCED OR DISCLOSED WITHOUT THE WRITTEN APPROVAL OF BEL FUSE INC.

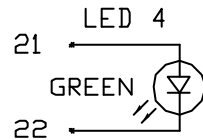
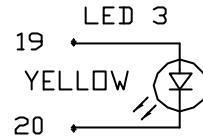
LED 3 POLARITY			LED 4 POLARITY		
PIN 19	PIN 20	COLOR	PIN 21	PIN 22	COLOR
+	-	YELLOW	+	-	GREEN

PRELIMINARY

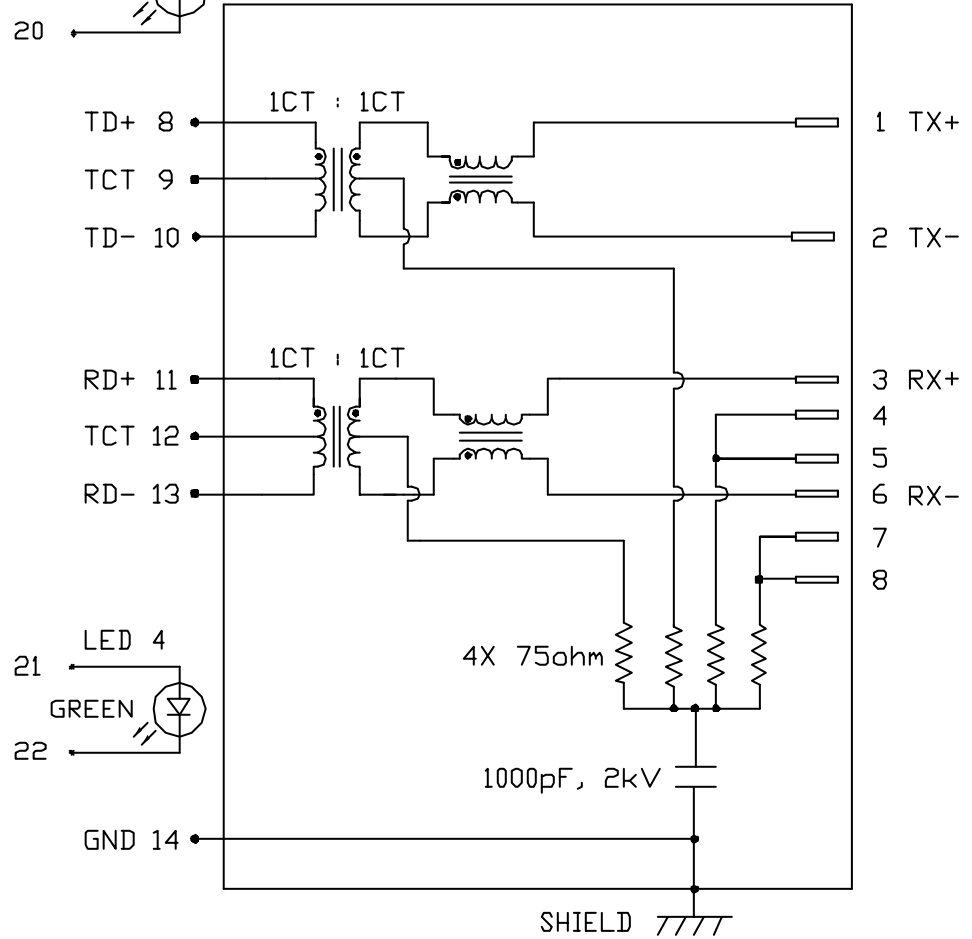


ELECTRICAL CHARACTERISTICS @ 25°C

TRANSFORMER	
TX	1CT : 1
RX	1CT : 1
DCL @ 100kHz/100mVRMS	
8mA DC BIAS	350µH MIN.
INS. LOSS	
1MHz TO 100MHz	-1.0 dB MAX
RET. LOSS (MIN)	
1MHz-30MHz	-18 dB
30MHz-60MHz	-18+20LOG(F/30MHz) dB
60MHz-80MHz	-12 dB
CROSS TALK (TX - RX)	
500kHz-1MHz	-70 dB MIN
10 MHz	-50 dB MIN
30 MHz	-45 dB MIN
50 MHz	-40 dB MIN
100 MHz	-35 dB MIN
CM TO CM REJ	
100kHz-1MHz	-70 dB MIN
10 MHz	-47 dB MIN
30 MHz	-42 dB MIN
60 MHz	-37 dB MIN
100 MHz	-30 dB MIN
CM TO DM REJ	
100kHz-1MHz	-70 dB MIN
10 MHz	-60 dB MIN
30 MHz	-50 dB MIN
60 MHz	-45 dB MIN
100 MHz	-40 dB MIN
HIPOT (Isolation Voltage):	1500 Vrms
LED 3	
VF (FORWARD VOLTAGE)	IF=20mA YELLOW 2.1V TYP.
λD (DOMINANT WAVELENGTH)	IF=20mA YELLOW 590nm TYP.
LED 4	
VF (FORWARD VOLTAGE)	IF=20mA GREEN 2.2V TYP.
λD (DOMINANT WAVELENGTH)	IF=20mA GREEN 565nm TYP.



SCHEMATIC (UPPER PORT) PORT 2



ORIGINATED BY CHUNG	DATE 08-11-05	TITLE 2X1 MagJack® (with LED)	PART NO. / DRAWING NO. 0845-2D1T-H5	STANDARD DIM. TOL. IN INCH	[] METRIC DIM. AS REFERENCE		 COMPONENTS FOR A CONNECTED PLANET
DRAWN BY DE	DATE 08-11-05		FILE NAME 08452D1TH5PB.DWG	.X .XX .XXX	UNIT : INCH [mm] SCALE : N/A	REV. : PB SIZE : A4 PAGE : 2	

THE INFORMATION CONTAINED HEREIN IS CONSIDERED "PROPRIETARY" TO BEL FUSE INC. AND SHALL NOT BE COPIED, REPRODUCED OR DISCLOSED WITHOUT THE WRITTEN APPROVAL OF BEL FUSE INC.

LED 1 POLARITY			LED 2 POLARITY		
PIN 15	PIN 16	COLOR	PIN 17	PIN 18	COLOR
+	-	YELLOW	+	-	GREEN

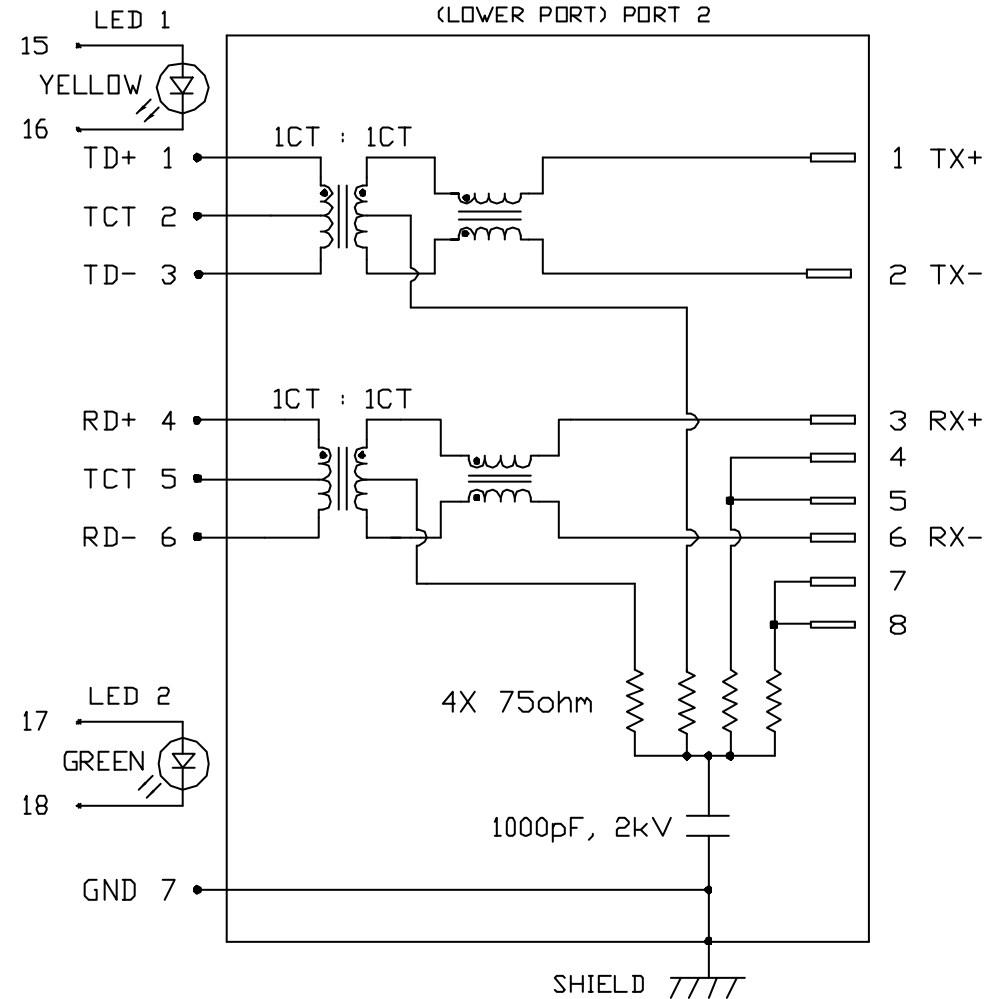
PRELIMINARY



ELECTRICAL CHARACTERISTICS @ 25°C

<p> TRANS RATIO TX 1CT : 1 RX 1CT : 1 DCL @ 100kHz/100mVRMS 8mA DC BIAS 350µH MIN. INS. LOSS 1MHz TO 100MHz -1.0 dB MAX RET. LOSS (MIN) 1MHz-30MHz -18 dB 30MHz-60MHz -18+20LOG(F/30MHz) dB 60MHz-80MHz -12 dB CROSS TALK (TX - RX) 500kHz-1MHz -70 dB MIN 10 MHz -50 dB MIN 30 MHz -45 dB MIN 50 MHz -40 dB MIN 100 MHz -35 dB MIN CM TO CM REJ 100kHz-1MHz -70 dB MIN 10 MHz -47 dB MIN 30 MHz -42 dB MIN 60 MHz -37 dB MIN 100 MHz -30 dB MIN CM TO DM REJ 100kHz-1MHz -70 dB MIN 10 MHz -60 dB MIN 30 MHz -50 dB MIN 60 MHz -45 dB MIN 100 MHz -40 dB MIN HIPOT (Isolation Voltage) 1500 Vrms LED 1 VF (FORWARD VOLTAGE) IF=20mA YELLOW 2.1V TYP. λD (DOMINANT WAVELENGTH) IF=20mA YELLOW 590nm TYP. LED 2 VF (FORWARD VOLTAGE) IF=20mA GREEN 2.2V TYP. λD (DOMINANT WAVELENGTH) IF=20mA GREEN 565nm TYP. </p>	
---	--

SCHEMATIC



ORIGINATED BY	DATE	TITLE	PART NO. / DRAWING NO.	STANDARD DIM. TOL. IN INCH	[] METRIC DIM. AS REFERENCE
CHUNG	08-11-05	2X1 MagJack® (with LED)	0845-2D1T-H5	.X	UNIT : INCH [mm] REV. : PB
DRAWN BY	DATE		FILE NAME	.XX	SCALE : N/A SIZE : A4
DE	08-11-05		08452D1TH5PB.DWG	.XXX	SCALE : N/A SIZE : A4
				PAGE : 3	

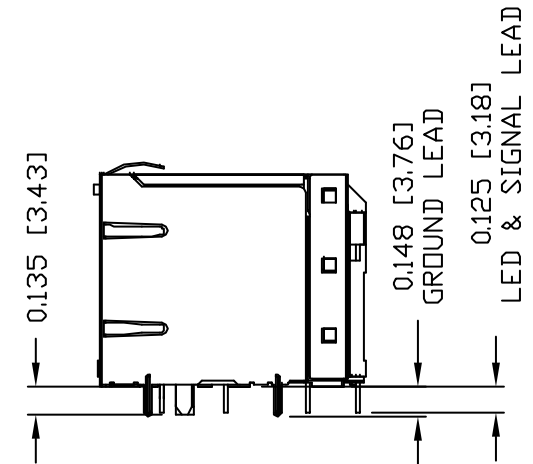
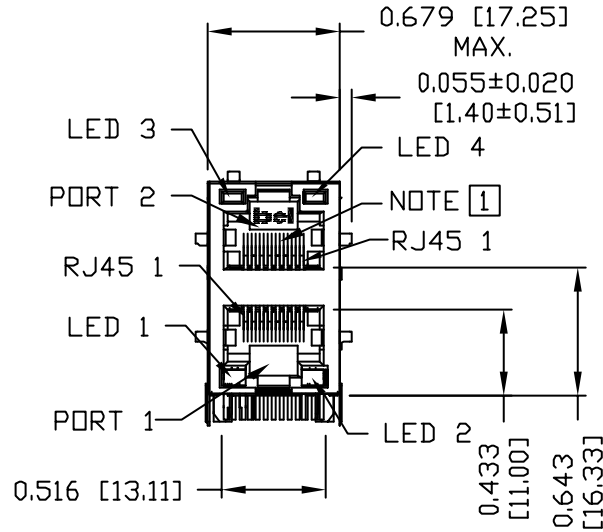
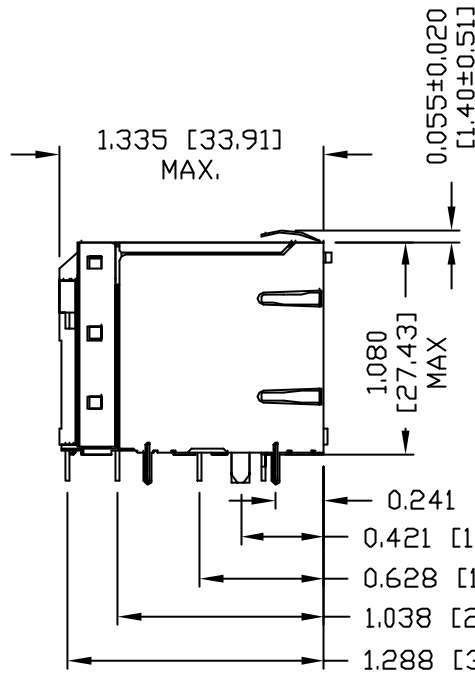
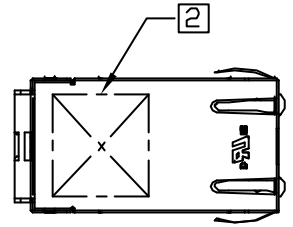


THE INFORMATION CONTAINED HEREIN IS CONSIDERED "PROPRIETARY" TO BEL FUSE INC. AND SHALL NOT BE COPIED, REPRODUCED OR DISCLOSED WITHOUT THE WRITTEN APPROVAL OF BEL FUSE INC.

RoHS
2002/95/EC



PRELIMINARY



NOTES:

PLASTIC HOUSING: THERMOPLASTIC PBT
 FLAMMABILITY RATING UL 94V-0
 CONTACT PLATING: 50 MICRO-INCH HARD GOLD PLATING
 OUTPUT PINS: TIN-COATED COPPER WIRE, DIA 0.018 INCH.
 METAL SHIELD: NICKEL PLATED COPPER ALLOY.
 (ALL GROUND LEADS ARE SOLDER DIPPED)

- 1. JACK CAVITY CONFORMS TO FCC RULES AND REGULATIONS, PART 68 SUBPART F.
- 2. MARK PART WITH MFG LOGO, MFG NAME, PART NUMBER, AND DATE CODE.

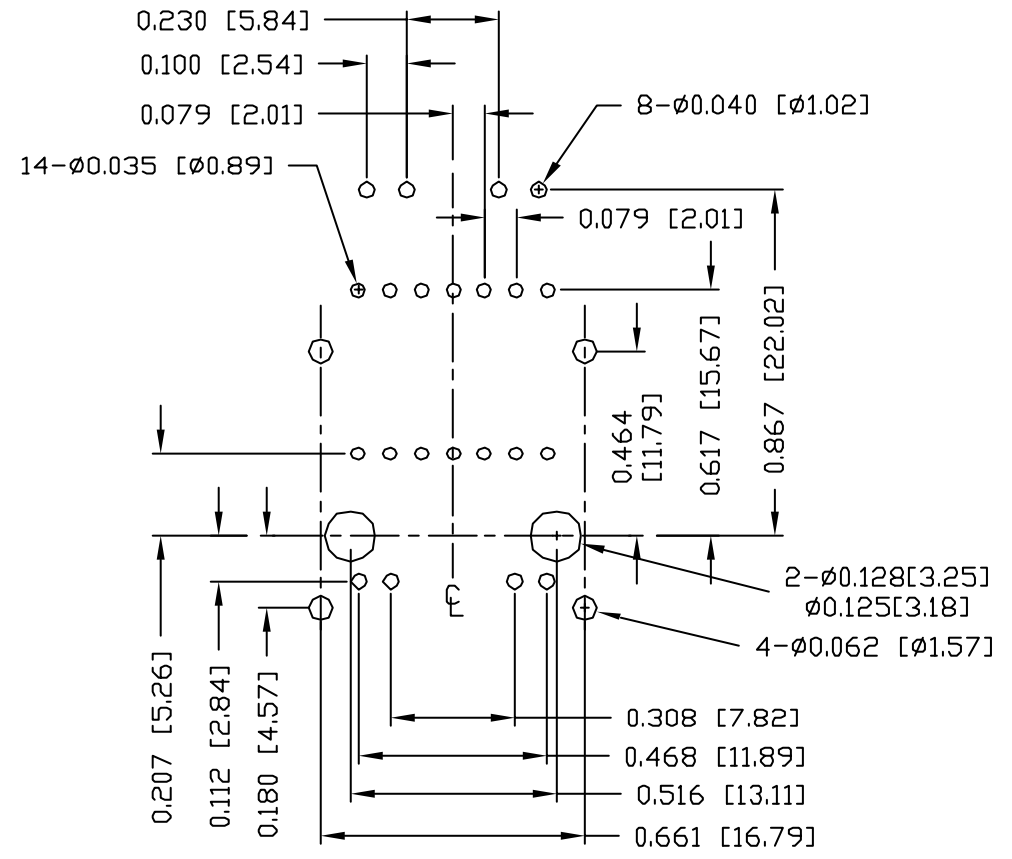
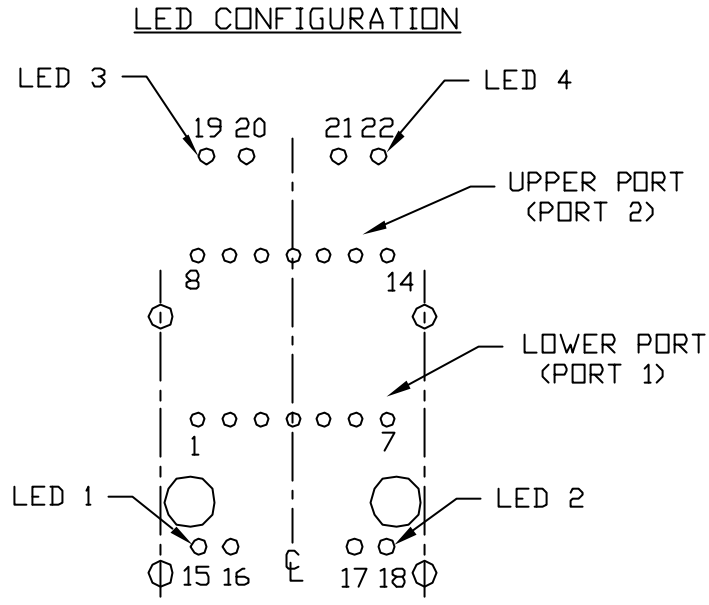
RoHS COMPLIANCE, PER EU DIRECTIVE 2002/95/EC.

UL RECOGNIZED - FILE #E196366 AND E169987.

ORIGINATED BY BILL/KEUNG	DATE 08-11-05	TITLE 2X1 MagJack® (with LED)	PART NO. / DRAWING NO. 0845-2D1T-H5		STANDARD DIM. TOL. IN INCH		[] METRIC DIM. AS REFERENCE		 COMPONENTS FOR A CONNECTED PLANET
			FILE NAME 08452D1TH5PB.DWG		.X		UNIT : INCH [mm]	REV. : PB	
DRAWN BY QIN	DATE 08-11-05			.XX		SCALE : N/A	SIZE : A4		
				.XXX	±0.010		PAGE : 4		

THE INFORMATION CONTAINED HEREIN IS CONSIDERED "PROPRIETARY" TO BEL FUSE INC. AND SHALL NOT BE COPIED, REPRODUCED OR DISCLOSED WITHOUT THE WRITTEN APPROVAL OF BEL FUSE INC.

PRELIMINARY



PIN-OUT INFORMATION
(COMPONENT SIDE VIEW)
(SCALE 2:1)

SUGGESTED FOOTPRINT
(COMPONENT SIDE VIEW)
(SCALE 2:1)

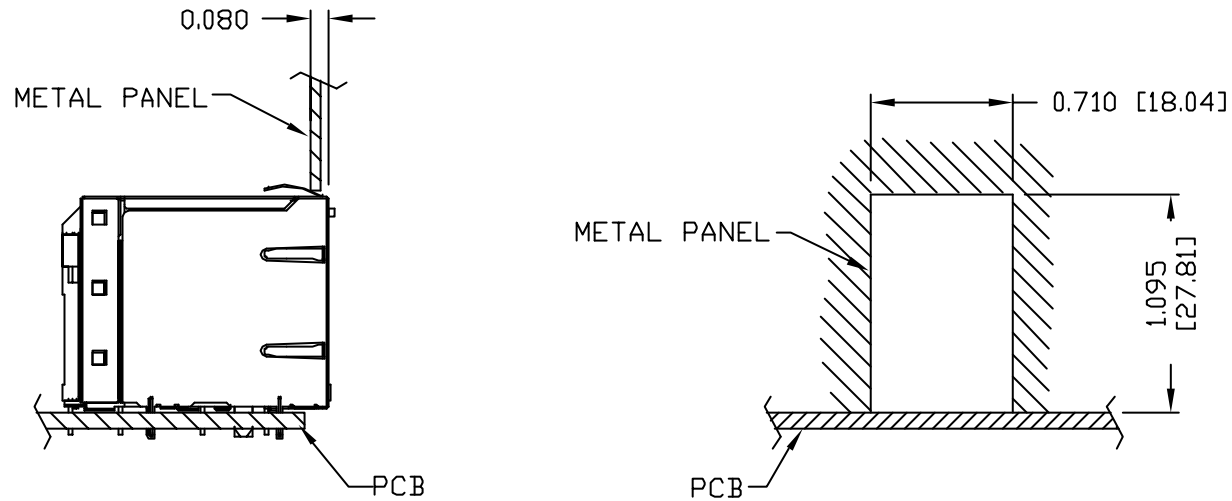
ORIGINATED BY BILL/KEUNG	DATE 08-11-05	TITLE 2X1 MagJack® (with LED)	PART NO. / DRAWING NO. 0845-2D1T-H5		STANDARD DIM. TOL. IN INCH		[] METRIC DIM. AS REFERENCE		 COMPONENTS FOR A CONNECTED PLANET
			FILE NAME 08452D1TH5PB.DWG		.X .XX .XXX	\pm 0.010	UNIT : INCH [mm]	REV. : PB	
DRAWN BY QIN	DATE 08-11-05					SCALE : N/A	SIZE : A4	PAGE : 5	

THE INFORMATION CONTAINED HEREIN IS CONSIDERED "PROPRIETARY" TO BEL FUSE INC. AND SHALL NOT BE COPIED, REPRODUCED OR DISCLOSED WITHOUT THE WRITTEN APPROVAL OF BEL FUSE INC.

PRELIMINARY



SUGGESTED PANEL OPENING



NOTE:

THE DISTANCE OF PANEL INSIDE SURFACE RELATIVE TO FRONT SURFACE OF PART IS ONLY A SUGGESTION. IN CASE THIS DISTANCE IS DIFFERENT, THE REQUIRED PANEL OPENING DIMENSIONS CHANGE ACCORDINGLY.

PACKING INFORMATION

PACKING TRAY: 0200-9999-H5 (TOP)
0200-9999-H6 (BOTTOM)

PACKING QUANTITY: 40 PCS FINISHED GOODS PER TRAY
6 TRAYS (240 PCS FINISHED GOODS) PER CARTON BOX.

NOTE: CARDBOARD ARE PLACED BETWEEN LAYERS OF PACKING TRAY INSIDE CARTON BOX.
(INCLUDE THE UPPERMOST AND LOWEREST TRAY)

ORIGINATED BY BILL/KEUNG	DATE 08-11-05	TITLE 2X1 MagJack® (with LED)	PART NO. / DRAWING NO. 0845-2D1T-H5	STANDARD DIM. TOL. IN INCH		[] METRIC DIM. AS REFERENCE		 COMPONENTS FOR A CONNECTED PLANET
DRAWN BY QIN	DATE 08-11-05		FILE NAME 08452D1TH5PB.DWG	.X		UNIT : INCH [mm]	REV. : PB	
			.XX	SCALE : N/A		SIZE : A4		
			.XXX ±0.005			PAGE : 6		