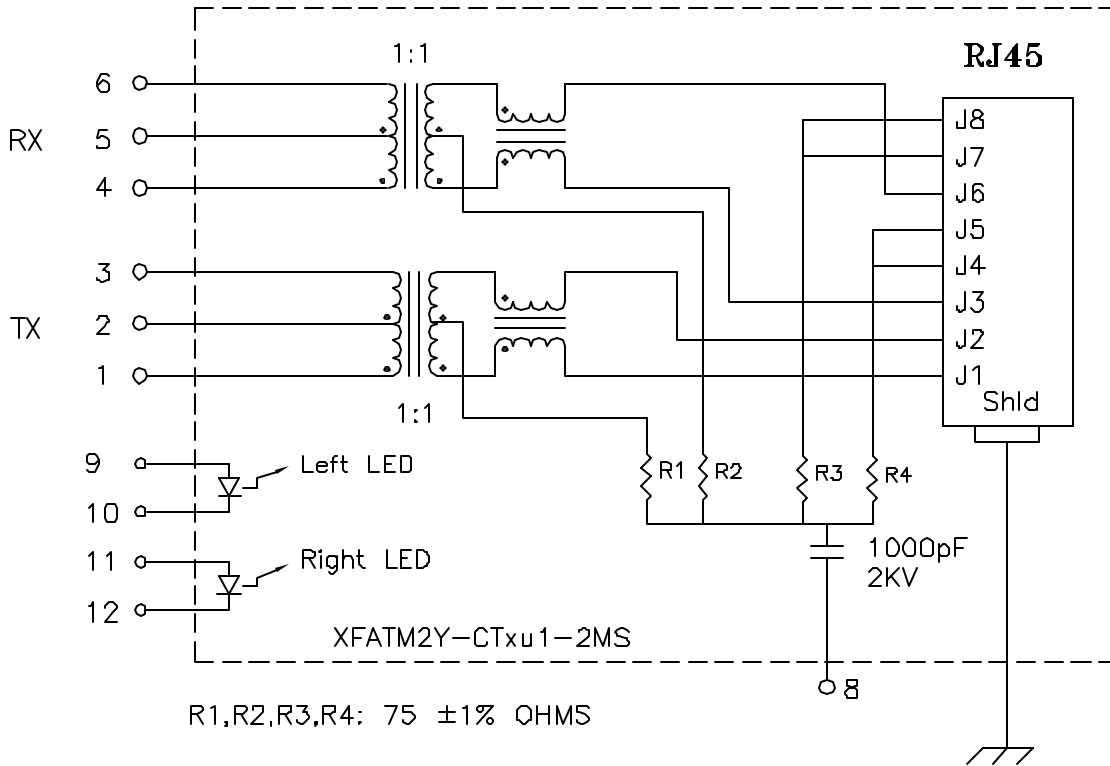


Schematic:



Electrical Specifications: @25°C

- Isolation Voltage: 1500 Vac
- Isolation Voltage: 500 Vac (1+2+3+4+5+6)
- UTP SIDE DCL: 350uH Min @100KHz 100mV BmADC
- Leakage Inductance: P6-P4 0.3uH Max @1MHz 100mV Short J6 and J3
- Leakage Inductance: P3-P1 0.3uH Max @1MHz 100mV Short J2 and J1
- Cww: (P6, P5, & P4) to (J6 & J3) 30pF Max @1MHz
- Cww: (P3, P2, & P1) to (J2 & J1) 30pF Max @1MHz
- DCR: (J6-J3) = (J2-J1) 1.2 Ohms Max
- Rise Time (10-90%): 2.5ns Typ
- Insertion Loss (100KHz-100MHz): -1.2dB Max
- Return Loss: -18dB Min @1MHz - 30MHz
- Return Loss: -12dB Min @60MHz - 80MHz
- Crosstalk: 30dB Typ @1MHz to 100MHz
- Common Mode to Differential Mode Rejection:
1MHz-100MHz -35dB Typ (Tx) / -35dB Typ (Rx)

Complete the Combo P/N as follows:

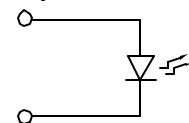
Replace 'x' & 'u' in the part number with one of the LED color letters:

Y=Yellow
G=Green
A=Amber
R=Red

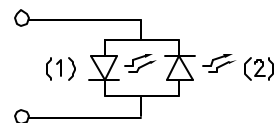
'x' = Left LED Color
'u' = Right LED Color

C=Green(1)/Amber(2) Bicolor
D=Amber(1)/Green(2) Bicolor
M=Green(1)/Yellow(2) Bicolor
N=Yellow(1)/Green(2) Bicolor
P=Red(1)/Green(2) Bicolor
Q=Green(1)/Red(2) Bicolor

Single Color LED:



Bi-Color LED:



Notes:

1. Solderability: Leads shall meet MIL-STD-202, Method 208D for solderability.
2. Flammability: UL94V-0
3. ASTM oxygen index: > 28%
4. Insulation System: Class F 155°C. UL file E151556
5. Operating Temperature Range: All listed parameters are to be within tolerance from -40°C to +85°C
6. Storage Temperature Range: -55°C to +125°C
7. Aqueous wash compatible
8. SMD Lead Coplanarity: ±0.004" (0.102mm)
9. Moisture Sensitivity: Level 2

DOC. REV: A/1

XFMRs Inc.

UNLESS OTHERWISE SPECIFIED
TOLERANCES:
.xxx ±0.010
Dimensions in Inch
SHEET 1 OF 2

Title:

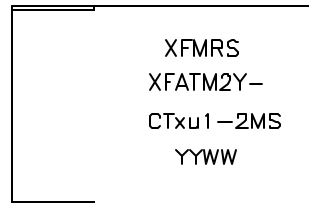
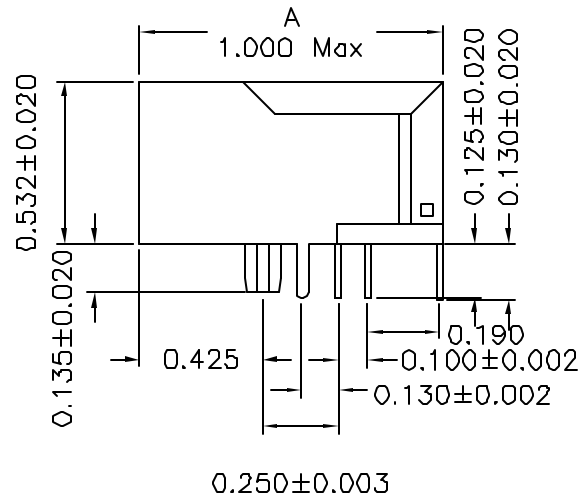
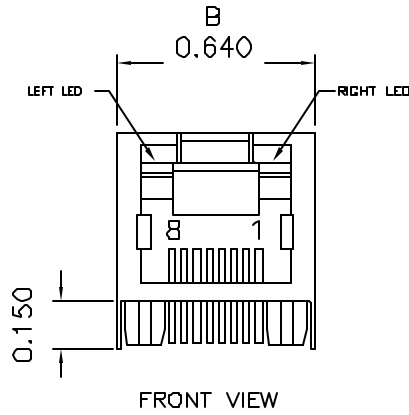
SINGLE PORT COMBO w/LED

P/N:	XFATM2Y-CTxu1-2MS	REV. A
DWN.	廖玉坤	Sep-28-04
CHK.	李清儿	Sep-28-04
APP.	J Ng	Sep-28-04

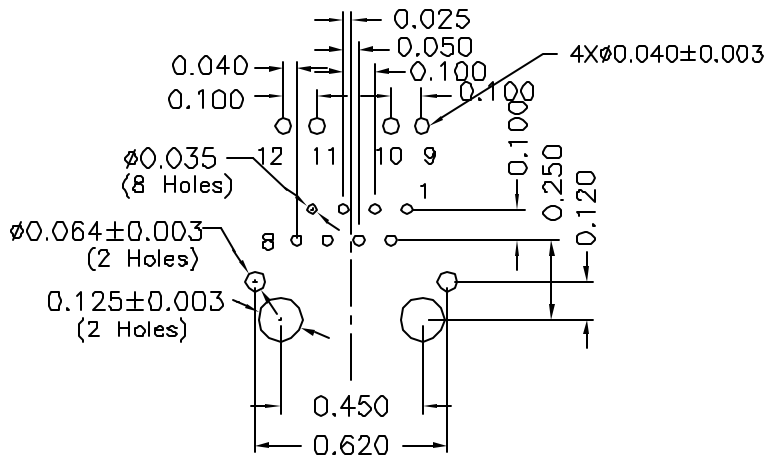
PROPRIETARY:

Document is the property of XFMRs Group & is not allowed to be duplicated without authorization.

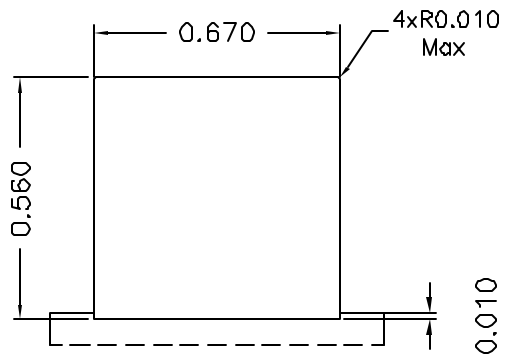
Mechanical Dimensions:



Mounting Pattern:



TOP VIEW



DOC REV: A/1

XFMR5 Inc.	Title: Mechanical Dimensions For TAB UB RJ45 COMBO		
	UNLESS OTHERWISE SPECIFIED TOLERANCES: .xxx ±0.010 Dimensions in Inch	P/N: XFATM2Y-CTxu1-2MS	REV. A
		DWN. 罗振江	Sep-28-04
		CHK. 廖玉坤	Sep-28-04
SHEET 2 OF 2	APP. J Ng	Sep-28-04	

PROPRIETARY:

Document is the property of XFMR5 Group & is not allowed to be duplicated without authorization.