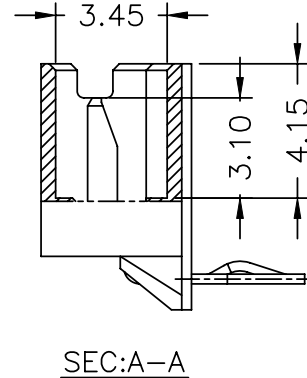
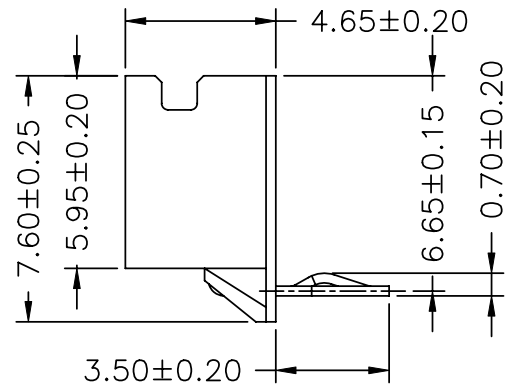
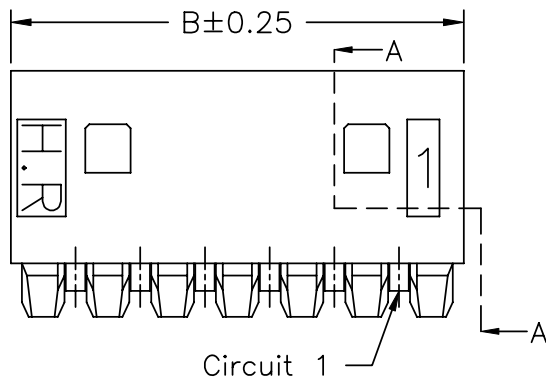


P/N LEGEND

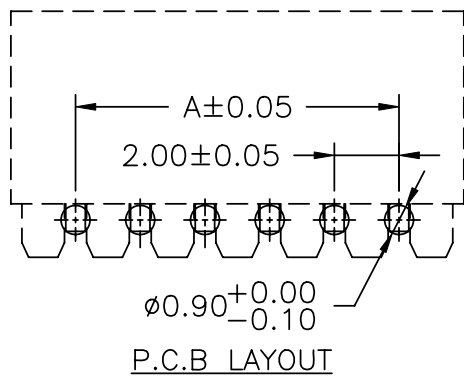
	A2002	WR	XP	XXX
	①	②	③	④
①	Series No.			
②	Connector type: WR=Right angle			
③	No. of circuits			
④	Option code:			
	Blank=Color:Beige(4685C), Tin-plated			
	BK=Color:Black, Tin-plated			

SPECIFICATIONS

Current Rating: 2A AC,DC  
 Voltage Rating: 125V AC,DC  
 Temperature Range: -25°C ~ +85°C  
 Contact Resistance: 20mΩ Max.  
 Insulation Resistance: 1000MΩ Min.  
 Withstanding Voltage: 800V AC/minute  
 Pin Material: Phosphor Bronze  
 Material: Nylon 66,UL94V-0



Circuit No.	Dimensions		
	A	B	C
02P	2.00	6.00	5.10
03P	4.00	8.00	7.10
04P	6.00	10.00	9.10
05P	8.00	12.00	11.10
06P	10.00	14.00	13.10
07P	12.00	16.00	15.10
08P	14.00	18.00	17.10
09P	16.00	20.00	19.10
10P	18.00	22.00	21.10
11P	20.00	24.00	23.10
12P	22.00	26.00	25.10
13P	24.00	28.00	27.10
14P	26.00	30.00	29.10
15P	28.00	32.00	31.10



				UNIT	SCALE	SHEET	TITLE:
				mm	1 : 1	1 of 1	
DRAWN BY		APPROVED BY		2.00mm PITCH 90° WAFER			
董正一		董正一					
2004.09.07		2004.09.07					
GENERAL TOLERANCE				DRAW NO. :			
X. X±0.25		ANGLE±		A2002WR-XP			
X. XX±0.15				REV. B2			
X. XXX±0.05							
B2	EN1203120057	2012.05.17	陳錦展				
REV.	DESCRIPTION	DATE	NAME				