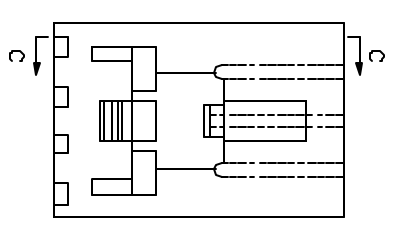
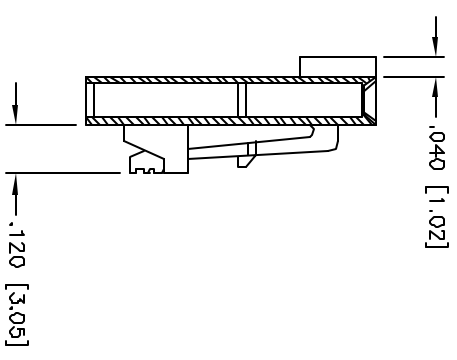
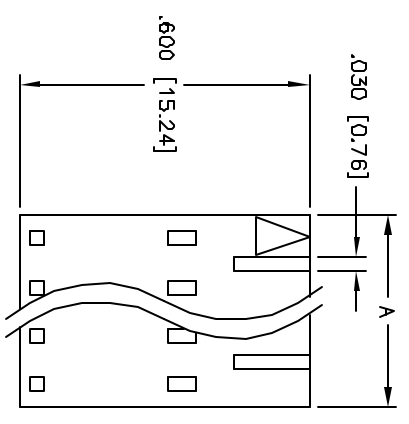
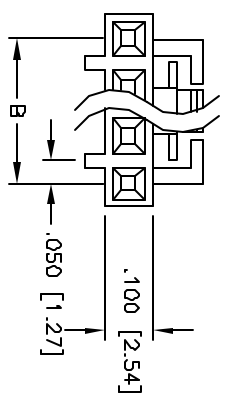


Rev	AWO #	Description	Date	Appr
-		RELEASED	4/7/05	

APPROVED: \_\_\_\_\_  
 DATE: \_\_\_\_\_ TITLE: \_\_\_\_\_



Positions: 2 thru 12  
 A = .100 [2.54] x No. of Positions  
 B = .100 [2.54] x No. of Spaces

**SPECIFICATIONS:**

**Material:**  
 Insulator: PBT, glass reinforced, rated UL 94V-0  
 Insulator color: Black  
**Electrical:**  
 Operating voltage: 250 VAC max  
 Current rating: 2.5 Amps max  
 Insulation resistance: 1,000 Mohms min @ 500 VDC  
 Dielectric withstanding voltage: 500 VAC for 1 minute  
**Temperature Rating:**  
 Operating temperature: -25°C to +85°C  
**Environmental:**  
 Lead free, RoHS compliant



UNLESS OTHERWISE SPECIFIED ALL DIMENSIONS ARE INCHES [MM] TOLERANCES: EXCEPT AS NOTED INCHES: .10 ±.010 .XX ±.020 .XXX ±.015 Holes: ØXX ±.010 ØXXX ±.010		TITLE <b>.100 [2.54] LATCHING HOUSING WITH LATCH</b>	
DRAWN	SS	DATE	4/7/05
CHECKED			
APPROVED			
SIZE	PART NO.	SCALE	REV.
X	CDH-XX-L	NTB	-
REF:			

**ADAM TECH**  
 909 Rahway Avenue, Union, NJ 07083  
 Phone: 908-687-5000 Fax: 908-687-5710