

PRESSURE SENSOR SIGNAL CONDITIONER

1 DEVICE OVERVIEW

1.1 FEATURES

- Analog Features
 - Analog Front-End for Resistive Bridge Sensors
 - Self-Oscillating Demodulator for Capacitive Sensors
 - On-Chip Temperature Sensor
 - Programmable Gain
 - 16-Bit, 1MHz Sigma-Delta Analog-to-Digital Converter for Signal Channel
 - 10-Bit Sigma-Delta Analog-to-Digital Converter for Temperature Channel
 - Two 12–Bit DAC Outputs
- Digital Features
 - Microcontroller Core
 - 10 MHz 8051 WARP Core
 - 2 Clocks Per Instruction Cycle
 - On–Chip Oscillator
 - Memory
 - 8 KB of OTP Memory
 - 89 Bytes of EEPROM
 - 256 Bytes Data SRAM
 - Peripheral Features
 - Serial Peripheral Interface (SPI™)
 - Inter-Integrated Circuit (I²C™)
 - One-Wire Interface
 - Two Input Capture Ports
 - Two Output Compare Ports
 - Software Watchdog Timer
 - Oscillator Watchdog
 - Power Management Control
 - Analog Low-Voltage Detect
 - General Features
 - Power Supply: 4.5 V to 5.5 V Operational, –5.5 V to 16 V Abs Max
 - PVQFN-36 package

1.2 APPLICATIONS

- Pressure Sensor Signal Conditioning
- Level Sensor Signal Conditioning
- Humidity Sensor Signal Conditioning

1.3 SUPPORTS INDUSTRIAL SENSING APPLICATIONS

- Controlled Baseline
- One Assembly and Test Site
- One Fabrication Site
- Extended Product Life Cycle
- Extended Product-Change Notification
- Product Traceability

DEVICE OVERVIEW

The PGA400-EP is an interface device for piezoresistive, strain gauge and capacitive sense elements. The device incorporates the analog front end that directly connects to the sense element and has voltage regulators and oscillator. The device also includes sigma-delta analog-to-digital converter, 8051 WARP core microprocessor and OTP memory. Sensor compensation algorithms can be implemented in software. The PGA400-EP also includes 2 DAC outputs.

1.1 ORDERING INFORMATION⁽¹⁾

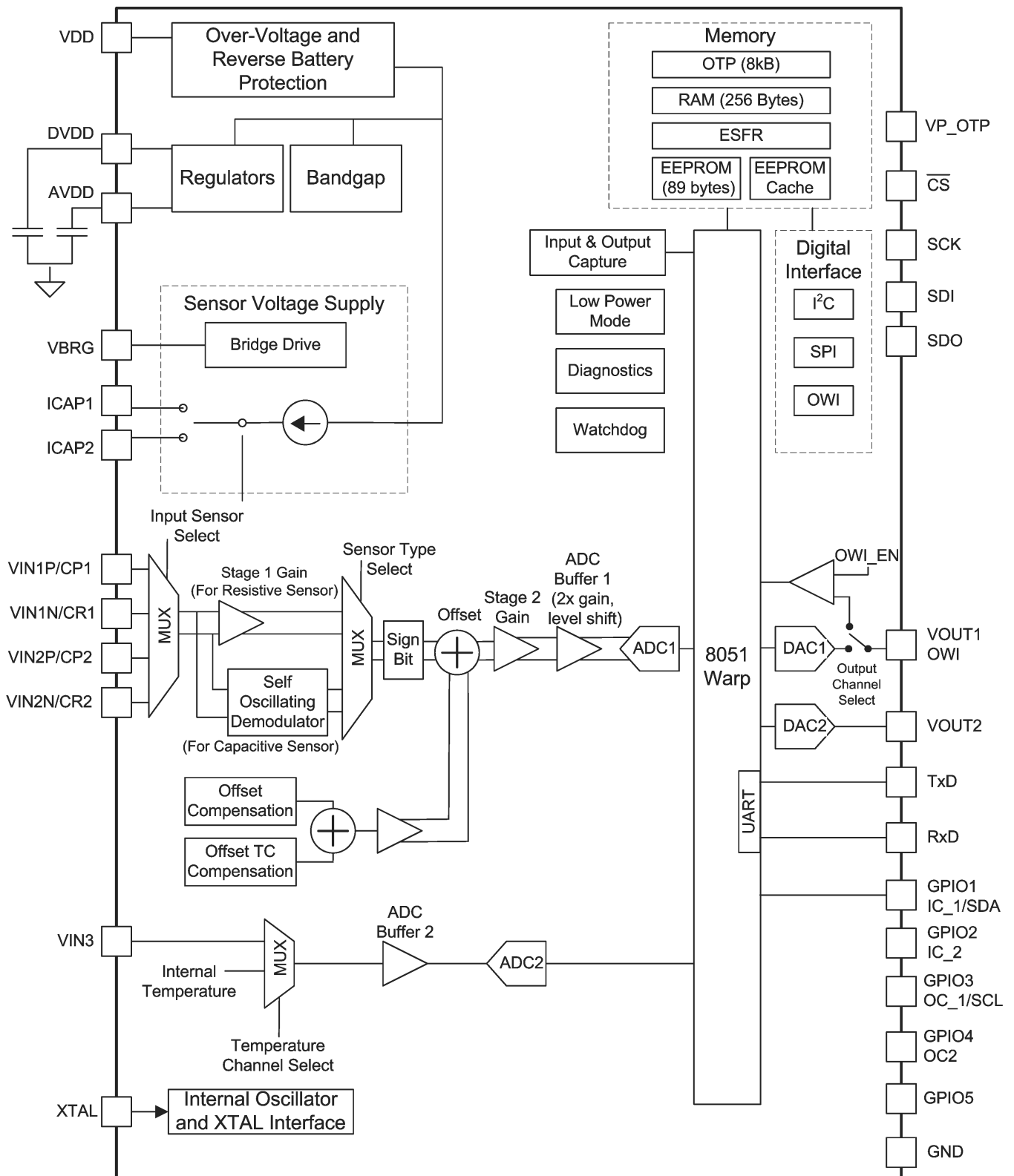
T _A	PACKAGE ⁽²⁾	ORDERABLE PART NUMBER	TOP-SIDE MARKING	VID NUMBER
–40°C to 125°C	PVQFN (RHH)	PGA400QRHHTEP	PGA400QRHH-EP	V62/13619-01XE

(1) For the most current package and ordering information, see the Package Option Addendum at the end of this document, or see the TI website at www.ti.com.

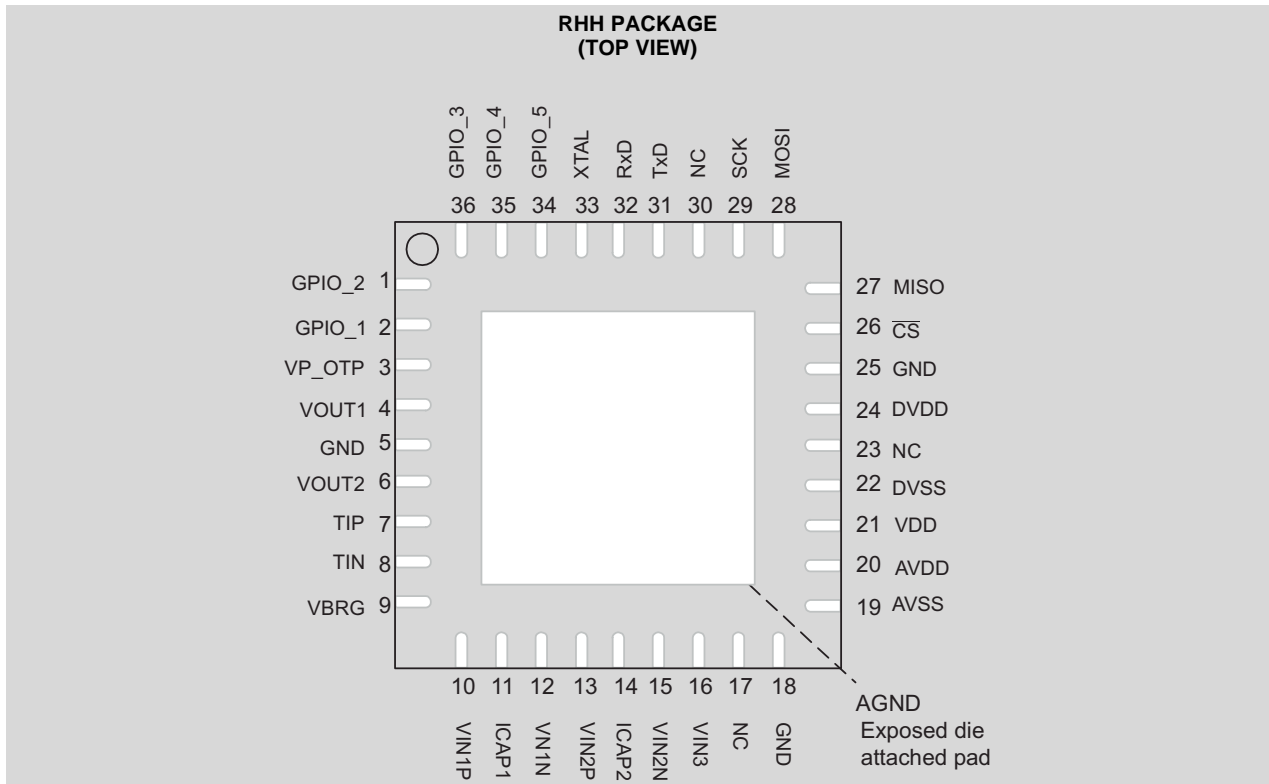
(2) Package drawings, standard packing quantities, thermal data, symbolization, and PCB design guidelines are available at www.ti.com/sc/package.



2 FUNCTIONAL BLOCK DIAGRAM



3 DEVICE INFORMATION



PIN DESCRIPTIONS

NAME	NO.	DESCRIPTION
GPIO_2	1	General purpose IO 2 / input capture port 2
GPIO_1	2	General purpose IO 1 / input capture port 1 / I2C Data
VT_OTP	3	One-time programmable memory programming voltage
VOUT1	4	DAC1 output / One-wire interface
GND	5, 18, 25	Ground
VOUT2	6	DAC2 output
TIP	7	Test pin reserved
TIN	8	Test pin reserved
VBRG	9	Resistive bridge supply voltage
VIN1P	10	Resistive sensor 1 positive input / capacitive sensor 1 positive input
ICAP1	11	Capacitive sensor drive current 1
VIN1N	12	Resistive sensor 1 negative input / capacitive sensor 1 reference input
VIN2P	13	Resistive sensor 2 positive input / capacitive sensor 2 positive input
ICAP2	14	Capacitive sensor drive current 2
VIN2N	15	Resistive sensor 2 negative input / capacitive sensor 2 reference input
VIN3	16	External temperature sensor input
NC	17, 23, 30	No connect
AVSS	19	Ground
AVDD	20	Linear regulator output for internal analog circuit supply
VDD	21	Input power supply
DVSS	22	Ground
DVDD	24	Linear regulator output for internal digital circuit supply
\overline{CS}	26	Serial peripheral interface chip select

PIN DESCRIPTIONS (continued)

NAME	NO.	DESCRIPTION
MISO	27	Serial peripheral interface slave data out
MOSI	28	Serial peripheral interface slave data in
SCK	29	Serial peripheral interface clock
TxD	31	8051 UART Tx (Port 3_1)
RxD	32	8051 UART Rx (Port 3_0)
XTAL	33	XTAL External crystal input
GPIO5	34	General purpose IO 5
GPIO4	35	General purpose IO 4 / output compare port 2
GPIO3	36	General purpose IO 3 / output compare port 1 / I2C Clock

4 ABSOLUTE MAXIMUM RATINGS

4.1 ABSOLUTE MAXIMUM RATINGS⁽¹⁾

PARAMETER		MIN	MAX	UNIT
VDD, Continuous	Power Supply Voltage	-5.5	16	V
	Voltage at VP_OTP	-0.3	8.0	V
	Voltage at sensor input and drive pins	-0.3	3.6	V
	Voltage at any IO pin except at VOUT1/OWI	-0.3	VDD + 0.3	V
	Voltage at VOUT1/OWI pin	-0.3	7.5	V
I _{DD} , Short on VOUT1 or VOUT2	Supply Current	-45	45	mA
	Output Current	-30	30	mA
ESD	Human Body Model (HBM)	±2		KV
	Field Induced Charge Device Model (CDM)	±500		V
T _{jmax}	Maximum Junction Temperature		150	°C
T _{stg}	Storage Temperature	-40	150	°C

- (1) Stresses beyond those listed under “Absolute Maximum Ratings” may cause permanent damage to the device. These are stress ratings only and functional operation of the device at these or any other conditions beyond those indicated under “Recommended Operating Conditions” are not implied. Exposure to Absolute-Maximum-Rated conditions for extended periods may affect device reliability.

4.2 THERMAL INFORMATION

THERMAL METRIC		PGA400-EP	UNITS
		RHH	
		36 PINS	
θ _{JA}	Junction-to-ambient thermal resistance ⁽¹⁾	30.6	°C/W
θ _{JCtop}	Junction-to-case (top) thermal resistance ⁽²⁾	16.4	
θ _{JB}	Junction-to-board thermal resistance ⁽³⁾	5.4	
ψ _{JT}	Junction-to-top characterization parameter ⁽⁴⁾	0.2	
ψ _{JB}	Junction-to-board characterization parameter ⁽⁵⁾	5.4	
θ _{JCbot}	Junction-to-case (bottom) thermal resistance ⁽⁶⁾	0.7	

- (1) The junction-to-ambient thermal resistance under natural convection is obtained in a simulation on a JEDEC-standard, high-K board, as specified in JESD51-7, in an environment described in JESD51-2a.
- (2) The junction-to-case (top) thermal resistance is obtained by simulating a cold plate test on the package top. No specific JEDEC-standard test exists, but a close description can be found in the ANSI SEMI standard G30-88.
- (3) The junction-to-board thermal resistance is obtained by simulating in an environment with a ring cold plate fixture to control the PCB temperature, as described in JESD51-8.
- (4) The junction-to-top characterization parameter, ψ_{JT}, estimates the junction temperature of a device in a real system and is extracted from the simulation data for obtaining θ_{JA}, using a procedure described in JESD51-2a (sections 6 and 7).
- (5) The junction-to-board characterization parameter, ψ_{JB}, estimates the junction temperature of a device in a real system and is extracted from the simulation data for obtaining θ_{JA}, using a procedure described in JESD51-2a (sections 6 and 7).
- (6) The junction-to-case (bottom) thermal resistance is obtained by simulating a cold plate test on the exposed (power) pad. No specific JEDEC standard test exists, but a close description can be found in the ANSI SEMI standard G30-88.

4.3 RECOMMENDED OPERATING CONDITIONS

over operating free-air temperature range (unless otherwise noted)

PARAMETER		TEST CONDITIONS	MIN	TYP	MAX	UNIT
V _{DD}	Power supply voltage		4.5	5	5.5	V
I _{DD}	Power supply current - normal mode	V _{DD} = 5V, No load on VBRG, No load on DAC1 and DAC2			13.6	mA
	Power supply current - low power mode	V _{DD} = 5.5V, No load on VBRG, No load on DAC1 and DAC2, AFE turned OFF			9.5	mA
VP_OTP	OTP programming voltage		7.0	7.4	7.8	V
I_VP_OTP	OTP programming current	During OTP Programming			3	mA
tprog_OTP	OTP programming timing per byte		120			μs
T _A	Operating ambient temperature		-40		125	°C
	Programming temperature	OTP or EEPROM	-40		140	°C
	Micro start-up time	VDD ramp rate 1V/μs			250	μs

5 ELECTRICAL CHARACTERISTICS

5.1 Overvoltage Protection

PARAMETER		TEST CONDITIONS	MIN	TYP	MAX	UNIT
OV	Overvoltage protection threshold		5.5	6.1	7.0	V
OV _{hyst}	Overvoltage protection hysteresis			410		mV

5.2 Regulators

PARAMETER		TEST CONDITIONS	MIN	TYP	MAX	UNIT
V _{AVDD}	AVDD voltage	C _{AVDD} = 100 nF		3.3		V
I _{AVDD}	AVDD current	V _{AVDD} = 3.3 V			5	mA
V _{DVDD}	DVDD voltage	No EEPROM Programming		3.3		V
		EEPROM Programming		3.6		V

5.3 Internal Oscillator and External Crystal Interface

PARAMETER		TEST CONDITIONS	MIN	TYP	MAX	UNIT
INTERNAL OSCILLATOR						
	Internal Oscillator frequency	T _{amb} = 25 °C	38.4	40	41.6	MHz
	Internal Oscillator frequency	Across operating temperature	36.3		43.7	MHz
EXTERNAL 40-MHZ CRYSTAL						
	Low-level input voltage on XTAL		-0.3		0.1 × VDD	V
	High-level input voltage on XTAL		0.7 × VDD		VDD + 0.3	V

5.4 Sensor Supply

PARAMETER		TEST CONDITIONS	MIN	TYP	MAX	UNIT
VBRG SUPPLY FOR RESISTIVE BRIDGE SENSORS						
V _{BRG}	Supply Voltage	0.44 kΩ ≤ R _{BRG} ≤ 20 kΩ	3.2	3.33	3.4	V
R _{BRG}	Resistive Bridge Resistance		0.44		20	KΩ
C _{BRG}	Capacitive Load	R _{BRG} = 20 kΩ			500	pF
	Line regulation	V _{DD} = 4.5V, 5.5V, R _{BRG} = 0.44 kΩ	-40		40	mV
	Load regulation	V _{DD} = 5.0 V, 10 μA ≤ I _{LOAD} ≤ 10 mA	-40		40	mV
ICAPx SUPPLY FOR CAPACITIVE SENSORS						
ICAP_A	Supply Current Amplitude on ICAP, T _A = 25°C	CI[2:0] = 000, ICAP_V = 100 mV	-5.3		-4.3	μA
		CI[2:0] = 001, ICAP_V = 100 mV	-8		-6.6	
		CI[2:0] = 010, ICAP_V = 100 mV	-10.8		-8.8	
		CI[2:0] = 011, ICAP_V = 100 mV	-13.5		-11.1	
		CI[2:0] = 100, ICAP_V = 100 mV	-16.2		-13.3	
		CI[2:0] = 101, ICAP_V = 100 mV	-18.9		-15.5	
		CI[2:0] = 110, ICAP_V = 100 mV	-21.6		-17.8	
		CI[2:0] = 111, ICAP_V = 100 mV	-24.4		-20.1	
		CI[2:0] = 000, ICAP_V = 3.2 V	4.5		5.6	
		CI[2:0] = 001, ICAP_V = 3.2 V	6.9		8.5	
		CI[2:0] = 010, ICAP_V = 3.2 V	9.2		11.3	
		CI[2:0] = 011, ICAP_V = 3.2 V	11.5		14.1	
		CI[2:0] = 100, ICAP_V = 3.2 V	13.6		16.7	
		CI[2:0] = 101, ICAP_V = 3.2 V	15.8		19.2	
		CI[2:0] = 110, ICAP_V = 3.2 V	18.1		22.1	
CI[2:0] = 111, ICAP_V = 3.2 V	20.4		24.8			
	Variation over temperature		-5.0		+5.0	%
CPx_V, CRx_V	Capacitive Sensor Drive - Voltage at CPx and CRx pins	CV[1:0] = 00	70	90	110	mV
		CV[1:0] = 01	255	300	345	
		CV[1:0] = 10	425	500	575	
		CV[1:0] = 11	595	700	805	
SELF OSCILLATING CURRENT MODE DEMODULATOR FOR CAPACITIVE SENSORS						
R _F / R _{REF}	Gain in Transimpedance amplifier	CR[1:0] = 00, R _{REF} = 78 kΩ	-1.07	-1.01	-0.94	V/V
		CR[1:0] = 01, R _{REF} = 78 kΩ	-2.13	-1.97	-1.82	
		CR[1:0] = 10, R _{REF} = 78 kΩ	-4.24	-3.93	-3.63	
		CR[1:0] = 11, R _{REF} = 78 kΩ	-8.45	-7.85	-7.26	
C _f	Feedback Capacitor in Transimpedance amplifier		14	16	18	pF

5.5 Temperature Sensor

PARAMETER	TEST CONDITIONS	MIN	TYP	MAX	UNIT
Temperature Range		-55		125	°C
Temperature ADC Resolution			10		bits
Temperature ADC Update Rate			8		ms
Gain ⁽¹⁾		2.7	2.8	2.9	LSB/°C
Offset ⁽¹⁾		-105		-66	LSB
Total Error		-4		4	°C

(1) The Temperature ADC Value is given by the equation: ADC Code = Gain*Temperature (in °C) + Offset

5.6 Analog Front Ends

PARAMETER	TEST CONDITIONS	MIN	TYP	MAX	UNIT
STAGE 1 GAIN FOR RESISTIVE BRIDGE SENSORS					
Gain Steps	Sx_G1[2:0] = 000		3.0		V/V
	Sx_G1[2:0] = 001		4.4		
	Sx_G1[2:0] = 010		6.8		
	Sx_G1[2:0] = 011		10.2		
	Sx_G1[2:0] = 100		14.6		
	Sx_G1[2:0] = 101		25.5		
	Sx_G1[2:0] = 110		34.0		
	Sx_G1[2:0] = 111		51.0		
Bandwidth	–3 dB, Gain = 111		7		KHz

5.7 Stage 2 Gain

PARAMETER	TEST CONDITIONS	MIN	TYP	MAX	UNIT
Gain Steps	Sx_G2[4:0] = 00000	0.97	1.01	1.05	V/V
	Sx_G2[4:0] = 00001	1.06	1.11	1.16	
	Sx_G2[4:0] = 00010	1.18	1.23	1.28	
	Sx_G2[4:0] = 00011	1.31	1.37	1.42	
	Sx_G2[4:0] = 00100	1.45	1.52	1.58	
	Sx_G2[4:0] = 00101	1.61	1.68	1.76	
	Sx_G2[4:0] = 00110	1.79	1.87	1.94	
	Sx_G2[4:0] = 00111	1.98	2.07	2.16	
	Sx_G2[4:0] = 01000	2.20	2.29	2.39	
	Sx_G2[4:0] = 01001	2.44	2.55	2.65	
	Sx_G2[4:0] = 01010	2.71	2.83	2.94	
	Sx_G2[4:0] = 01011	3.00	3.13	3.26	
	Sx_G2[4:0] = 01100	3.34	3.48	3.62	
	Sx_G2[4:0] = 01101	3.74	3.90	4.06	
	Sx_G2[4:0] = 01110	4.12	4.30	4.48	
	Sx_G2[4:0] = 01111	4.61	4.81	5.01	
	Sx_G2[4:0] = 10000	5.09	5.31	5.54	
	Sx_G2[4:0] = 10001	5.67	5.92	6.16	
	Sx_G2[4:0] = 10010	6.26	6.52	6.79	
	Sx_G2[4:0] = 10011	6.93	7.23	7.53	
	Sx_G2[4:0] = 10100	7.70	8.04	8.37	
	Sx_G2[4:0] = 10101	8.57	8.95	9.32	
	Sx_G2[4:0] = 10110	9.54	9.96	10.37	
	Sx_G2[4:0] = 10111	10.62	11.06	11.51	
	Sx_G2[4:0] = 11000	11.76	12.27	12.79	
	Sx_G2[4:0] = 11001	13.02	13.58	14.15	
	Sx_G2[4:0] = 11010	14.48	15.10	15.72	
	Sx_G2[4:0] = 11011	16.03	16.71	17.40	
	Sx_G2[4:0] = 11100	17.72	18.53	19.34	
	Sx_G2[4:0] = 11101	19.61	20.49	21.37	
	Sx_G2[4:0] = 11110	21.72	22.70	23.68	
	Sx_G2[4:0] = 11111	23.85	25.06	26.28	
Bandwidth	–3 dB, Gain Setting = 11111	120			KHz

5.8 Offset and Offset TC Compensation

PARAMETER	TEST CONDITIONS	MIN	TYP	MAX	UNIT
Offset Compensation Low	Offset Setting = 0x000, Stage 1 Gain Setting = 0b000	-385	-324	-279	mV
Offset Compensation High	Offset Setting = 0x3FF, Stage 1 Gain Setting = 0b000	279	324	385	mV
Offset Compensation Resolution	Stage 1 Gain Setting = 0b000	0.59		0.72	mV/step
Offset TC Compensation Low	Offset TC Setting = 0x00, Stage 1 Gain Value = 0b000		-371		$\mu\text{V}/^\circ\text{C}$
Offset TC Compensation High	Offset TC Setting = 0x3F, Stage 1 Gain Value = 0b000		361		$\mu\text{V}/^\circ\text{C}$
Offset TC Compensation Resolution	Stage 1 Gain Value = 0b000		11.6		$\mu\text{V}/^\circ\text{C}/\text{step}$
Reference Temperature			22		$^\circ\text{C}$

5.9 Analog to Digital Converter

PARAMETER	TEST CONDITIONS	MIN	TYP	MAX	UNIT
ADC BUFFER FOR 16-BIT AD CONVERTER 1					
Gain		1.9	2	2.1	V/V
DC Level Shift	ADC_BUF bit = 1	-1.74	-1.65	-1.55	V
DC Offset		-15		15	mV
ADC BUFFER FOR 10-BIT AD CONVERTER 2					
VIN3 Input Voltage Range		0.425		1.7	V
Gain		1.09	1.15	1.21	V/V
DC Offset		-15		15	mV
VIN3 VOLTAGE VERSUS ADC CODE					
Gain ⁽¹⁾		740	760	780	LSB/V
Offset ⁽¹⁾		-850	-820	-790	LSB
Gain Temperature Coefficient	$T_{\text{amb}} = 25^\circ\text{C}$		0.02		LSB/ $^\circ\text{C}$
Offset Temperature Coefficient	$T_{\text{amb}} = 25^\circ\text{C}$		-0.02		LSB/ $^\circ\text{C}$
Integral Nonlinearity		-1		1	LSB

(1) ADC Code = Gain*VIN3+Offset

5.10 One Wire Interface

PARAMETER	TEST CONDITIONS	MIN	TYP	MAX	UNIT
Communication Baud Rate		2400		115000	Bits Per Second
OWI_EN	OWI Enable	6.5		7.0	V
OWI_EN _{hys}	OWI Enable Hysteresis		50		mV
	Internal Pullup		10		K Ω
	Activation Signal Pulse Low time	12			ms
	Activation Signal Pulse High time	12			ms
OWI_VIH	OWI Transceiver Rx Threshold	$0.7 \times \text{VDD}$		$\text{VDD} + 0.3$	V
OWI_VIL	OWI Transceiver Rx Threshold	-0.3		$0.3 \times \text{VDD}$	V
OWI_VOH	OWI Transceiver Tx Threshold	$\text{VDD} = 5 \text{ V}$	4.0		
OWI_VOL	OWI Transceiver Tx Threshold	$\text{VDD} = 5 \text{ V}$		0.8	V

5.11 Serial Peripheral Interface (SPI) Interface

over operating free-air temperature range (unless otherwise noted)

PARAMETER	TEST CONDITIONS	MIN	TYP	MAX	UNIT
V _{IH}	High-level input voltage	$0.7 \times \text{VDD}$		$\text{VDD} + 0.3$	V

Serial Peripheral Interface (SPI) Interface (continued)

over operating free-air temperature range (unless otherwise noted)

PARAMETER		TEST CONDITIONS	MIN	TYP	MAX	UNIT
V _{IL}	Low-level input voltage		-0.3		0.3 × V _{DD}	V
V _{OH}	High-level output voltage		4.0			V
V _{OL}	Low-level output voltage				0.8	V
f _{SCK}	SPI Frequency				4	MHz
t _{CSSCK}	\overline{CS} Low to First SCK Rising Edge		25			ns
t _{SCKCS}	Last SCK Rising Edge to \overline{CS} Rising Edge		125			ns
t _{CSD}	\overline{CS} Disable Time		500			ns
t _{DS}	SDI Setup Time		25			ns
t _{DH}	SDI Hold Time		25			ns
t _{SDIS}	SDI Fall/Rise Time				7	ns
t _{SCKR}	SCK Rise Time				7	ns
t _{SCKF}	SCK Fall Time				7	ns
t _{SCKH}	SCK High Time		125			ns
t _{SCKL}	SCK Low Time		125			ns
t _{SDOE}	SDO Enable Time		15			ns
t _{ACCS}	SCK Rising Edge to SDO Data Valid		15			ns
t _{SDOD}	SDO Disable Time				15	ns
t _{SDOS}	SDO Rise/Fall Time		3		11	ns
C _{L(SDO)}	Capacitive Load for Data Output (SDO)			10		pF

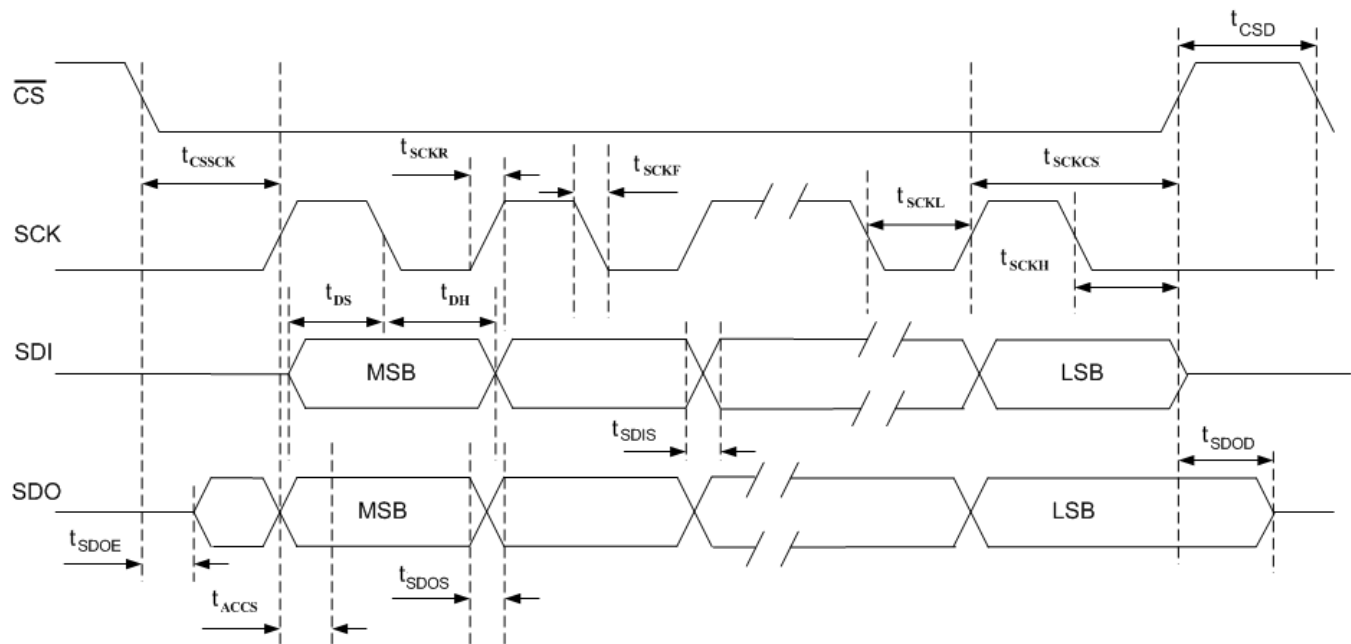


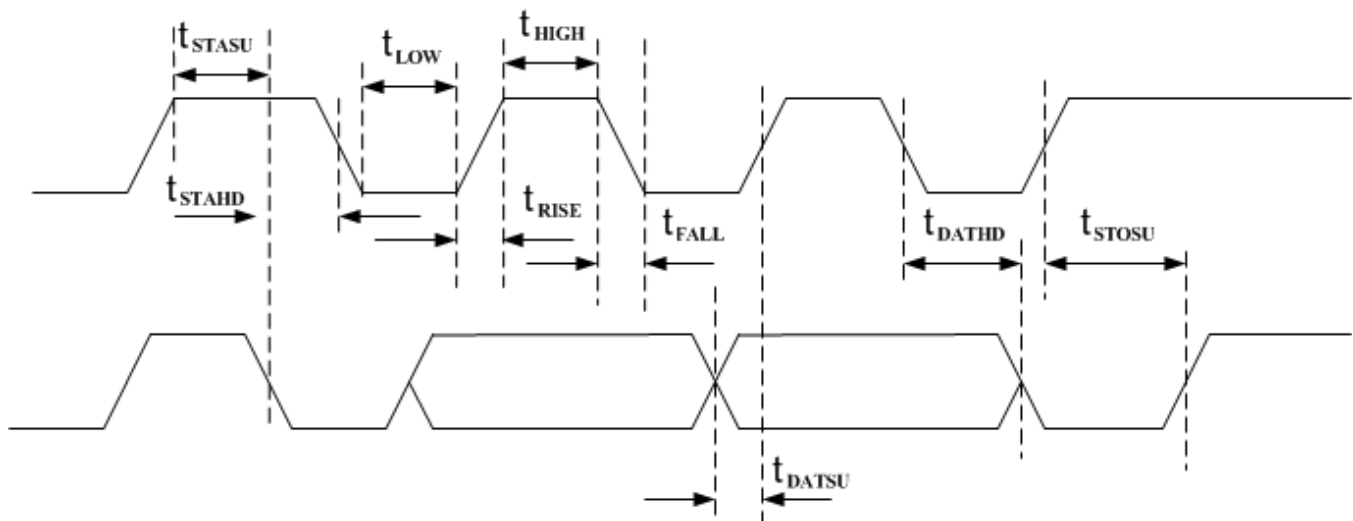
Figure 5-1. SPI Timing

5.12 I2C Interface

PARAMETER	TEST CONDITIONS	MIN	TYP	MAX	UNIT
V _{IH}	High-level input voltage	0.7 × V _{DD}		V _{DD} + 0.3	V
V _{IL}	Low-level input voltage	-0.3		0.3 × V _{DD}	V

I²C Interface (continued)

PARAMETER	TEST CONDITIONS	MIN	TYP	MAX	UNIT
V _{OH}	High-level output voltage	4.0			V
V _{OL}	Low-level output voltage			0.8	V
f _{SCL}	SCL clock frequency			400	KHz
t _{STASU}	START condition set-up time	500			ns
t _{STAHD}	START condition hold time	500			ns
t _{LOW}	SCL low time	1.25			μs
t _{HIGH}	SCL high time	1.25			μs
t _{RISE}	SCL and SDA rise time			7	ns
t _{FALL}	SCL and SDA fall time			7	ns
t _{DATSU}	Data setup time	500			ns
t _{DATHD}	Data hold time	500			ns
t _{STOSU}	STOP condition set-up time	500			ns


Figure 5-2. I²C Timing
5.13 Non-Volatile Memory

PARAMETER	TEST CONDITIONS	MIN	TYP	MAX	UNIT
OTP			8		KB
OTP Number of Erase/Write Cycles	Erase using UV light			10	Cycles
EEPROM	Programmable using SPI or OWI		89		Bytes
	Number of bytes writeable by 8051		16		Bytes
EEPROM Erase/Write Cycles				1000	Cycles

5.14 GPIO

PARAMETER		TEST CONDITIONS	MIN	TYP	MAX	UNIT
V _{IH}	High-level input voltage	R _{LOAD} ≥ 10 kΩ to V _{DD} or to 0 V	0.7 × VDD		VDD + 0.3	V
V _{IL}	Low-level input voltage	R _{LOAD} ≥ 10 kΩ to V _{DD} or to 0 V	-0.3		0.3 × VDD	V
V _{OH}	High-level output voltage	I _{OH} = 1 mA	4.0			V
V _{OL}	Low-level output voltage	I _{OL} = -1 mA			0.8	V
I _{OH}	High-level output current	V _{OH} = 4.5 V			1	mA
I _{OL}	Low-level output current	V _{OL} = 0.5 V			1	mA
R _{PU}	Pull-up resistance			160		kΩ

5.15 DAC1 and DAC2 Output

PARAMETER		TEST CONDITIONS	MIN	TYP	MAX	UNIT
Settling time		DAC Code 000h to FFFh step. Output is 90% of Full Scale. R _{LOAD} = 5 kΩ, C _{LOAD} = 500 pF			7	μs
Zero scale error		DAC code = 000h, I _{DAC} = 1.5 mA			46	mV
Full scale voltage		Output when DAC code is FFFh, I _{DAC} = -1.5 mA	4.85		4.95	V
Output current amplitude		DAC Code = 0FFFh, DAC Code = 0000h			1.5	mA
Short circuit source current		VDD = 5V, DAC code = 000h	-34		-10	mA
Short circuit sink current		VDD = 5V, DAC code = FFFh	10		34	mA
INL (best-fit line)			-3.5		3.5	LSB

5.16 Input Capture and Output Compare

PARAMETER		TEST CONDITIONS	MIN	TYP	MAX	UNIT
INPUT CAPTURE PORTS						
V _{IH}	High-level input voltage	R _{LOAD} ≥ 10 kΩ to V _{DD} or to 0 V	0.7 × VDD		VDD + 0.3	V
V _{IL}	Low-level input voltage	R _{LOAD} ≥ 10 kΩ to V _{DD} or to 0 V	-0.3		0.3 × VDD	V
Input capture timer clock frequency		10_20_MHZ bit = 1		10		MHz
		10_20_MHZ bit = 0		20		
Input capture timer bits				16		Bits
OUTPUT COMPARE PORTS						
V _{OH}	High-level output voltage	I _{OH} = 1 mA	VDD - 1.0			V
V _{OL}	Low-level output voltage	I _{OL} = -1 mA			0.8	V
Output compare timer frequency		10_20_MHZ bit = 1		10		MHz
		10_20_MHZ bit = 0		20		
Output compare timer bits				16		Bits
I _{OH}	High-level output current				1	mA
I _{OL}	Low-level output current				1	mA

5.17 Diagnostics

PARAMETER		TEST CONDITIONS	MIN	TYP	MAX	UNIT
8051 Software watchdog				500		ms
Main clock normal operation range			35	40	45	MHz
VBRG_OV	Sensor supply over voltage threshold		3.55	3.65	3.75	V
VBRG_UV	Sensor supply under voltage threshold		2.9	3.0	3.11	V
AVDD OV threshold			3.7		3.95	V
AVDD UV threshold			2.72		3.1	V
Sensor _{OV}	Output overvoltage threshold for gain stage 1 and 2		2.3	2.5	2.6	V
Sensor _{UV}	Output undervoltage threshold for gain stage 1 and 2		0.7	.85	1.0	V
f _{capHigh}	Capacitive sensor interface clock high frequency fault threshold		1.5		2.5	MHz
f _{capLow}	Capacitive sensor interface clock low frequency fault threshold		30		50	kHz
EEPROM CHG PUMP overvoltage threshold				14.65		V
EEPROM CHG PUMP undervoltage threshold				11.45		V
DAC loop back voltage gain			0.537	0.545	0.557	V/V
Open wire leakage current 1 - open VDD with pull-up on VOUT1					2	μA
Open wire leakage current 2 - open GND with pull-down on VOUT1					20	μA

6 FUNCTIONAL DESCRIPTIONS

In this section, individual blocks in the [Section 2](#) are described in more detail.

6.1 Overvoltage / Reverse Voltage Protection Block

The PGA400-EP includes an Overvoltage and Reverse Voltage Protection block. This block protects the device from overvoltage and reverse-battery conditions on the external power supply. In this block, a control circuit monitors the input supply line for reverse-battery and overvoltage fault conditions protects the device if these voltage conditions occur on the external power supply.

6.2 Linear Regulators and Bandgap + Current Blocks

The PGA400-EP contains two precision low-drift bandgap supply voltage references for other blocks of the device. One bandgap provides the reference voltage for internal linear regulators that supply AVDD and DVDD. The other bandgap reference provides the voltage reference for the all the other internal circuitry, including sensor supply regulators, sensor offset compensation, etc.

The PGA400-EP has two main linear regulators: AVDD Regulator and DVDD Regulator. The AVDD regulator provides the 3.3 V voltage source for internal analog circuitry while the DVDD regulator provides the 3.3 V regulated voltage for the digital circuitry. The user needs to connect bypass capacitors of 100nF on both the AVDD and DVDD pins of the device.

[Figure 6-1](#) shows the Power-On Reset sequence for AVDD and DVDD with respect to the voltage applied to the VDD pin.

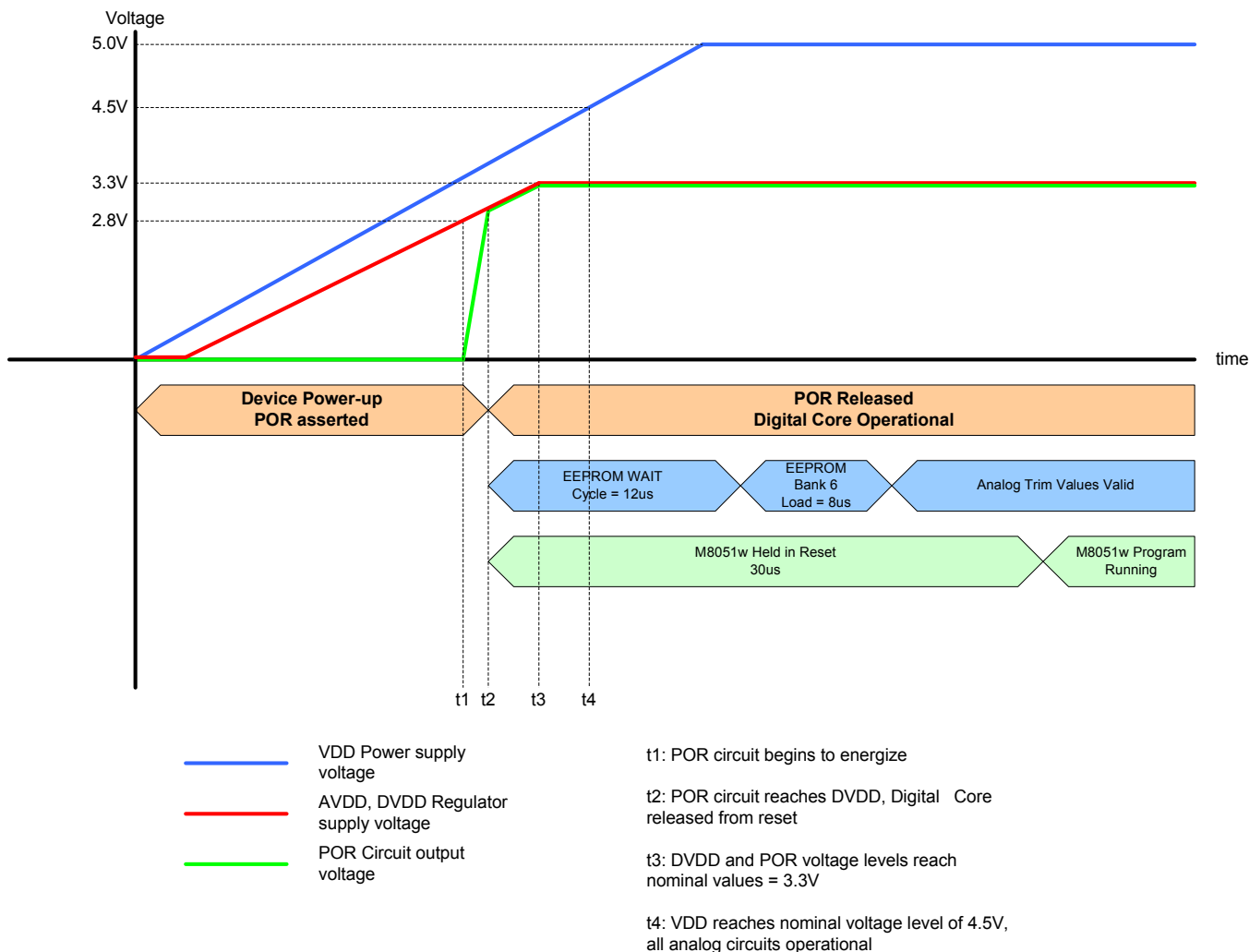


Figure 6-1. POR Sequence Diagram

6.3 Internal OSC/XTAL I/F Block

The device includes an internal 40 MHz oscillator, which by default provides the internal clocks required. The device can also be configured to use an external 40-MHz crystal as a time base via the XTAL_EN bit in the Sensor Control Register (SENCTRL). When the XTAL_EN bit is set high, the internal 40-MHz oscillator is disabled and control of the main system clock is driven by the external clock source connected to the XTAL pin.

NOTE

Do not use the XTAL pin as an output for sourcing a clock signal to other devices.

6.4 Sensor Voltage Supply Block

The Sensor Voltage Supply block of the PGA400-EP supplies both the VBRG output for resistive bridge sensors and the ICAP supply for capacitive sensors.

6.4.1 VBRG Supply for Resistive Bridges

The VBRG pin on the PGA400-EP is a 3.3-V nominal output supply from a linear regulator with a precise internal temperature independent band-gap reference.

6.4.2 ICAP Supply for Capacitive Sensors

A functional schematic of the capacitive sensor drive circuit is shown in [Figure 6-2](#). The common node of the sensor capacitances is tied to the ICAP pin and the current and voltage at this point are referred to as I_x and V_x respectively. For the sake of understanding the operation of the drive circuit by itself, the other terminals of the sensor may be treated as if they were tied to ground, because the sensor signal measurement circuit regulates the voltage at these nodes. This circuit is essentially a relaxation oscillator where the capacitance of the sensor, the charging current I_C , and the comparator hysteresis V_H determine the frequency of oscillation.

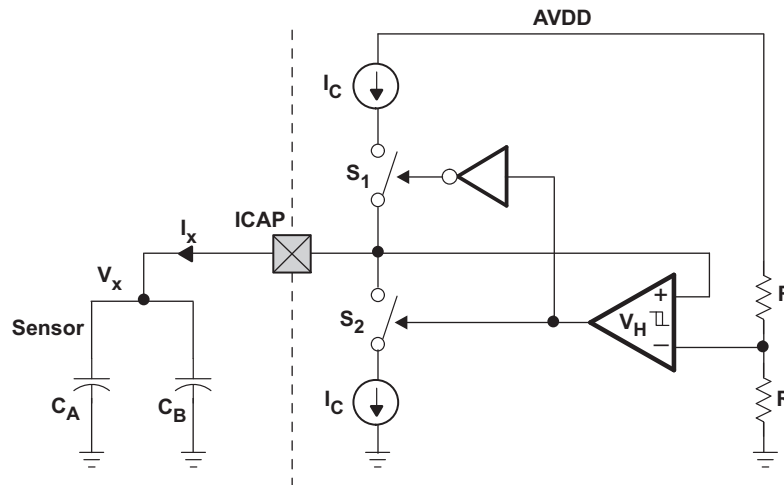


Figure 6-2. Capacitive Sensor Drive Circuit

To illustrate the circuit operation, the sensor voltage V_x is initially set to 0 V. In this state, the positive terminal of the hysteretic comparator is lower than its negative reference terminal, producing a logical zero at the output. This results in switch S_2 is open and switch S_1 is closed, allowing the upper current source to charge the sensor capacitance. [Figure 6-3](#) shows the resulting waveform. [Equation 1](#) calculates the linear ramp up slope of the voltage, V_x :

$$\frac{dV_x}{dt} = \frac{I_C}{C_A + C_B} \quad (1)$$

After V_x is charged up to the high threshold of the comparator, the circuit inverts the states of switches S_1 and S_2 . By closing S_2 and opening S_1 the lower current source begins to discharge the sensor capacitances, making V_x ramp down with an equal but opposite rate as before. Once V_x reaches the low threshold of the comparator, the circuit again inverts the states of the switches and returns to the positive charging state. This process of charging and discharging repeats with a period characterized as shown in [Equation 2](#).

$$T = \frac{2 \cdot V_H}{I_C} \cdot (C_A + C_B) \quad (2)$$

Both the comparator hysteresis voltage V_H and capacitor charging current I_C are configurable to allow control of the oscillation period for a particular sensor. Bits CV[1..0] in the Capacitive Sensor Settings Register (CAPSEN) can be used to set V_H . V_H can be set between 100 mV and 700 mV with four possible steps. Bits CI[2..0] in the Capacitive Sensor Settings Register (CAPSEN) can be used to set I_C , with possible values between 5 μ A and 22 μ A with eight possible steps.

NOTE

For capacitive sensors, one common set of configurations registers are implemented. If different settings are needed for the two capacitive sensors, then the software must dynamically update the register values.

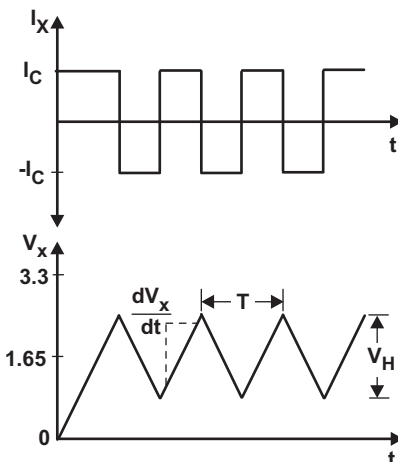


Figure 6-3. Capacitive Sensor Drive Waveforms

6.5 Internal Temperature Block and External Temperature Sensing

The device has the ability to perform temperature compensation via an internal or external temperature sensor. The user can select the source of the sensor with the TEMP_SEN bit in the Sensor Control Register (SENCTRL). When the TEMP_SEN bit is set to "0" the internal temperature sensor is used, and when the TEMP_SEN bit is set to "1" the external temperature sensor is used.

6.5.1 Internal Temperature Sensor

The device contains an internal temperature sensor which is converted by an ADC and made available to the 8051 microprocessor so that appropriate temperature compensation algorithms can be implemented in software. The nominal relationship between the device temperature and the ADC Code is shown in Equation 3.

$$\text{ADC Code} = 2.8 * \text{TEMP} - 80, \text{TEMP is temperature in } ^\circ\text{C}. \quad (3)$$

6.5.2 External Temperature Sensor

The device accepts a temperature from an external temperature sensor via the VIN3 pin. The input temperature needs to be in the form of a voltage.

NOTE

The Offset TC block has been configured to operate with the internal temperature sensor transfer function. If an external temperature sensor is used and the user needs to use Offset TC compensation, then the temperature-to-voltage transfer function of the external temperature sensor has to match the transfer function of the internal temperature sensor.

6.6 Using the Analog Front End

The PGA400 can be used to interface with Resistive Bridge Sensors as well as Capacitive Sensors. To enable multiple sensors of either type a series of muxes are used. These muxes are controlled by the Sensor Control Register (SENCTRL) and Capacitive Sensor Setting Register (CAPSEN).

The SEN_TYP bit of the Capacitive Sensor Settings Register (CAPSEN) configures the device to be used with either resistive or capacitive sensor types. When this bit is set to '0', the device is configured for capacitive sensors and when the bit is set to "1" the device is configured for resistive bridge sensors. When either front-end is selected, the other option is disabled and placed in a low quiescent current state.

The Analog Front End (AFE) can also be configured to measure two sensors sequentially. This is controlled via the SEN_CHNL bit in the Sensor Control Register (SENCTRL). When this bit is set to '0', the analog MUX at the input of the AFE is switched to pass the signals present at VIN1P and VIN1N pins. For capacitive sensors, the capacitive sensor drive current is also applied to the ICAP1 pin. When this bit is set to '1', the VIN2P, VIN2N and ICAP2 pins become active. The SEN_CHNL bit also controls which External Special Function Registers (ESFRs) are applied to the Stage 1 Gain, Stage 2 Gain, Offset, Offset TC and the Sign bits.

In addition the sensor supply regulator can be independently enabled or disabled via the VBRG_EN bit in the Sensor Control Register (SENCTRL). This allows the VBRG 3.3 V output to be used with external temperature sensors while the AFE is configured in capacitive sensor mode. For more information on programming the PGA400-EP please refer to the

6.7 Stage 1 Gain Block

When the device is configured to interface with resistive sensors, the first gain block that the signal passes through in the AFE is the Stage 1 Gain block. This gain block is designed with precision, low drift, low flicker noise amplifiers.

The gain of this stage is adjustable to accommodate sensors with a wide-range of signal spans and can be set from 3V/V to 51V/V in 8 possible steps. The Stage 1 Gain has two independent registers, Sensor 1 Gain Register (SEN1GAIN) and Sensor 2 Gain Register (SEN2GAIN), so that two different resistive sensors can be connected with different gain settings. For Stage 1 Gain settings use either the S1_G1 bits or the S2_G2 bits in the registers mentioned above. The gain setting that is used depends on the SEN_CHNL bit in Sensor Control Register (SENCTRL).

[Table 6-1](#) outlines the ranges of of resistive bridge sensor characteristics that are compatible.

Table 6-1. Target Resistive Bridge Sensors

PARAMETER	CONDITION	MIN	TYP	MAX	UNIT
Resistive bridge resistance	$-40^{\circ}\text{C} \leq T_A \leq 150^{\circ}\text{C}$	2		20	K Ω
Resistive bridge resistance TC		-350		4800	PPM/ $^{\circ}\text{C}$
Resistive bridge offset (compensated in Analog Front End)	$T_A = 25^{\circ}\text{C}$	-33		33	mV/V
Resistive bridge offset TC (compensated in Analog Front End)		-40		40	$\mu\text{V}/\text{V}/^{\circ}\text{C}$
Resistive bridge span	$T_A = 25^{\circ}\text{C}$	1.4		75	mV/V

6.8 Self Oscillating Demodulator Block

[Figure 6-4](#) shows an essential schematic of the capacitive sensor signal measurement circuit. . The Sensor Voltage Supply block discussed in is depicted only as a functional block called Sensor Drive that provides the sensor drive current via the ICAPx pin and the clock signals S₁ and S₂ that are used by the synchronous demodulator in the measurement circuit. As with the ICAP supply circuitry the demodulator block circuitry toggles between two states during normal operation. In one state the S₁ switches are closed while the S₂ switches are open and in the other state the S₁ switches are open while the S₂ switches are closed.

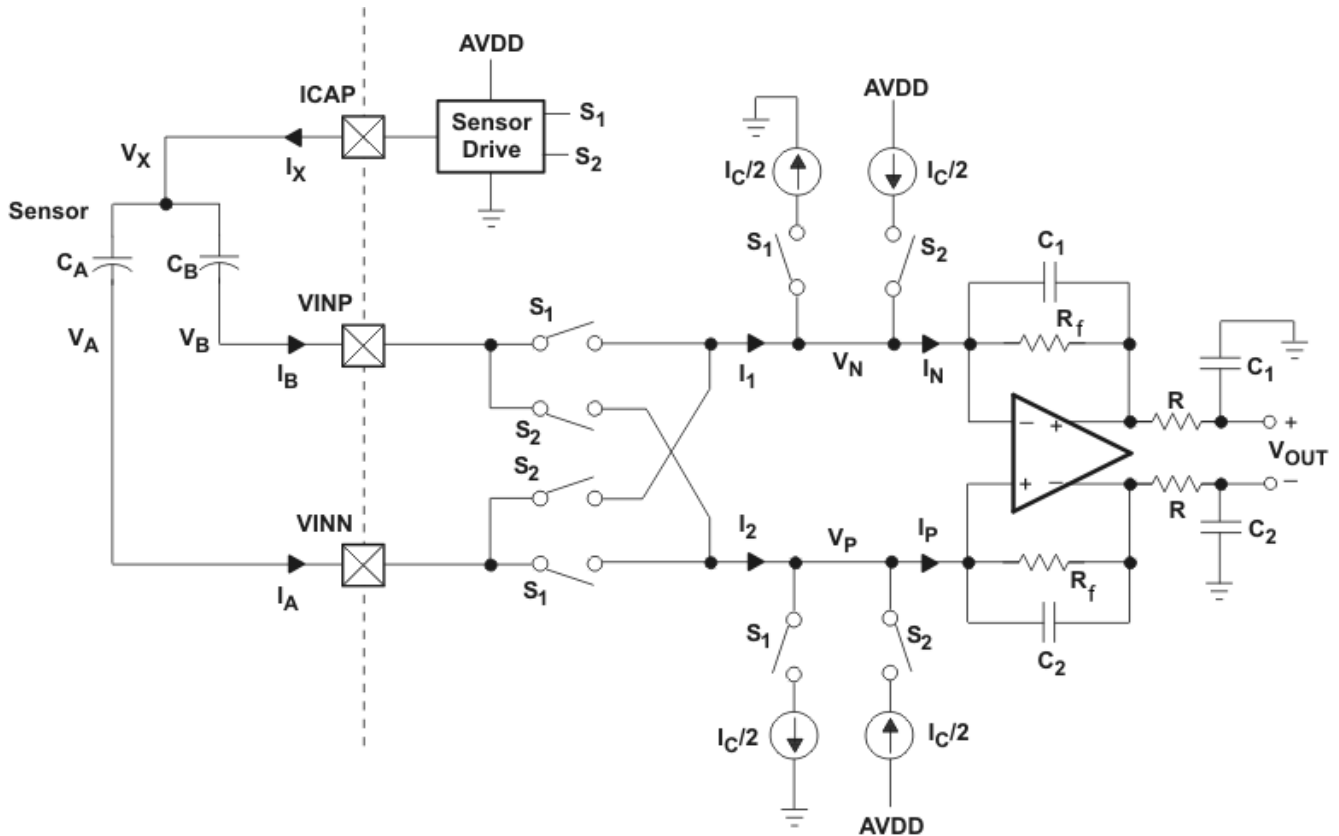


Figure 6-4. Capacitive Sensor Signal Measurement Circuit

To illustrate the operation of the circuit, assume that it has been given sufficient time to settle and is now operating in its normal steady-state mode of operation. During the positive charging phase, I_X is positive and the S_1 switches are closed. In this state, the amplifier seeks to regulate its input terminals to the same potential, creating a virtual ground at the VINP and VINN pins. This allows I_X to be expressed in Equation 4 as:

$$I_X = (C_A + C_B) \cdot \frac{dV_X}{dt} \quad (4)$$

In a similar manner, Equation 5 describes the currents through C_A and C_B and the difference between these currents.

$$I_A = C_A \cdot \frac{dV_X}{dt} \quad (5)$$

$$I_B = C_B \cdot \frac{dV_X}{dt} \quad (6)$$

$$\Delta I = (I_A - I_B) = (C_A - C_B) \cdot \frac{dV_X}{dt} = I_X \cdot \left(\frac{C_A - C_B}{C_A + C_B} \right) \quad (7)$$

The drive current is split between the capacitors in proportion to their relative difference. Measuring ΔI provides a means to infer the value of the difference in capacitance ($C_A - C_B$) or the value of one of the capacitors if the other is known. Also, driving the sensor with a current source and measuring the resulting difference in current has the benefit of being fully differential and thus less susceptible to common-mode disturbances and non-idealities. Note that the expressions for I_A and I_B may be rewritten in terms of common-mode and differential-mode components in [Equation 8](#) and [Equation 9](#).

$$I_A = \frac{I_X}{2} + \frac{\Delta I}{2} \quad (8)$$

$$I_B = \frac{I_X}{2} - \frac{\Delta I}{2} \quad (9)$$

The capacitive sensor signal measurement circuit extracts and amplifies ΔI . [Figure 6-5](#) illustrates the current waveforms at different points in the circuit of [Figure 6-4](#). The currents into and out of the sensor are shown on axis (a). Initially, the circuit is in the discharge phase where I_X is negative and S_2 switches are closed. After some time, the state switches to the charge phase where the S_1 switches are closed. This process of changing the state of the circuit continues periodically with a frequency set by the sensor drive circuit.

During each half cycle the I_X current is split into the individual capacitor currents I_A and I_B . As shown in [Figure 6-5\(b\)](#), while the S_1 switches are closed $I_2 = I_A$ and $I_1 = I_B$, but when the S_2 switches are closed the currents are inverted such that $I_2 = I_B$ and $I_1 = I_A$. Because the sign of I_X is also changing, the difference between I_2 and I_1 remains constant and equal to ΔI (ignoring the glitches that occur at phase transitions).

While the S_1 switches are closed, half the sensor drive current ($I_C/2$) is subtracted from I_2 and I_1 and while the S_2 switches are closed, half the sensor drive current is added to them. This removes the cycle-to-cycle offset in [Figure 6-5\(b\)](#), delivering the DC currents I_P and I_N to the trans-impedance amplifier, as shown in [Figure 6-5\(c\)](#) where $I_P - I_N = \Delta I$. For low frequency signals, the output voltage of the amplifier is shown in [Equation 10](#).

$$V_{out} = R_f \cdot \Delta I = R_f \cdot I_C \cdot \left(\frac{C_A - C_B}{C_A + C_B} \right) \quad (10)$$

For a given sensor, the drive current I_C should be adjusted to keep $V_{OUT} < 1.65$ V over the expected operating conditions of the sensor to avoid saturating the ADC input.

NOTE

for some types of wide span sensors, it may be necessary to reduce the gain set by the value of R_f in the transimpedance amplifier. The drive current I_C and feedback resistance R_f can be adjusted via Capacitive Sensor Settings Register (CAPSEN).

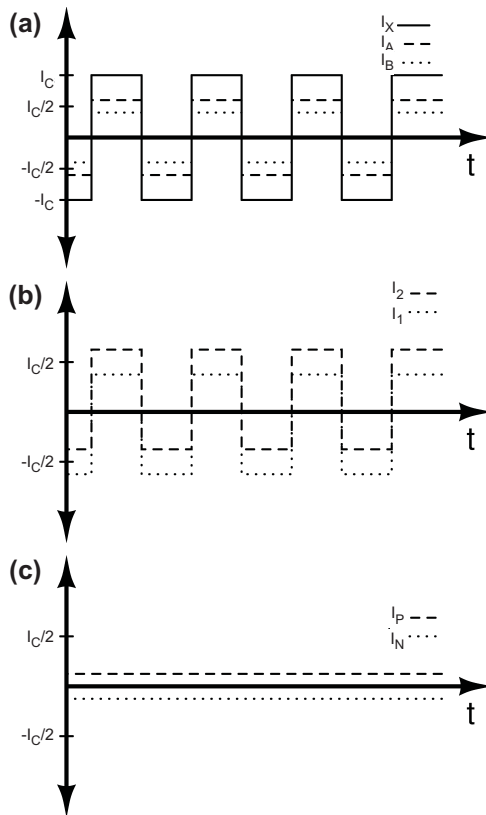


Figure 6-5. Current Waveforms in the Sensor Signal Measurement Circuit

This process of changing the state of the circuit continues periodically with a frequency set by the sensor drive circuit described in Equation 11.

$$f = \frac{I_C}{2 \cdot V_H \cdot (C_A + C_B)} \quad (11)$$

BEcause the op-amp must settle at each switching cycle, there is an upper bound imposed on the sensor drive frequency. Using a minimum half-cycle time of seven times the op-amp settling time and a minimum op-amp GBW of 7 MHz, shows the following upper bound on the switching frequency:

$$f_{MAX} \leq 800 \text{ kHz}$$

In reality, there are glitches and residual up-converted noise in the I_P and I_N signals. For this reason, the trans-impedance amplifier has a low-pass characteristic, with one pole set by the feedback elements R_f and C_f , and a second pole at the output set by R and the same capacitance C_f . For most sensor types, R is equal to R_f . In this case, the frequency dependent trans-impedance may be expressed as shown in Equation 12.

$$Z(s) = \frac{R_f}{1 + s \cdot R_f \cdot C_f} \Omega \quad (12)$$

Where with nominal values of $R_f = 625 \text{ k}\Omega$ and $C_f = 16 \text{ pF}$, the corner frequency of the filter is 15.9 kHz. If the minimum permissible ripple suppression is chosen to be 40 dB at the switching frequency, and the corner frequency is rounded up to 20 kHz, illustrates the lower bound on the switching frequency:

$$f_{\min} \geq 200 \text{ kHz}$$

For a given sensor, the drive circuit comparator hysteresis value V_H and the drive current I_C should be chosen so that the switching frequency remains within the range of 200 to 800 kHz as the sensor capacitance varies within its expected range.

Table 6-2 outlines the ranges of compatible capacitive bridge sensor characteristics.

Table 6-2. Target Capacitive Sensors

PARAMETER	CONDITION	MIN	MAX	UNIT
Capacitive sensor initial capacitance ($C_p + C_r$)		10	310	pF
Capacitive sensor offset (compensated in Analog Front End)	$(C_{p,0} - C_{r,0}) / (C_{p,0} + C_{r,0})$	-0.16	0.16	
Capacitive sensor span	$(C_{p,100} - C_{r,100}) / (C_{p,100} + C_{r,100})$	0.04	1.00	
Capacitive sensor offset TC			0.8	$\%C_{V,0} / ^\circ\text{C}$

6.8.1 Configuring the Capacitive Sensor Interface for a Particular Sensor

A general procedure for choosing what values to use for the capacitive sensor drive current (I_C), drive voltage comparator hysteresis (V_H) and trans-impedance (R_f) is the following:

- Find the values of I_C that maintain V_{OUT} below 1.65 V for the maximum sensor span plus offset
- Using the largest allowed value for I_C and the minimum and maximum total sensor capacitance ($C_A + C_B$), find a value for V_H that maintains the switching frequency within the range of 200 kHz to 800 kHz
- If the frequency constraints cannot be met, reduce the value of I_C and iterate to find an optimal solution

This procedure can be applied to configure the capacitive sensor interface with total capacitances ranging from 10 pF to 300 pF and span plus offset ratios $(C_A - C_B) / (C_A + C_B)$ up to 0.36.

The Stage 1 gain has two independent registers for the two sensors that can be potentially connected. The Stage 1 gain setting used depends on the SEN_CHNL bit in the Sensor Control Register.

6.9 Sign Bit Block

The device has a sign bit block that is used for span sign compensation. This block is used to change the polarity of the first stage output, and it is implemented through the use of four switches. The switches are set through the use of the S1_INV bit for sensor 1 and the S2_INV bit for sensor 2 in the Sensor Control Register (SENCTRL). There are two independent sign bit settings to accommodate configuring the polarity for two independent sensors. The sensor sign bit used is based on the SEN_CHNL bit in the Sensor Control Register.

6.10 Offset and Offset TC Compensation Blocks

The offset compensation circuit can be configured to null out the sensor offset and first order offset temperature coefficient. The offset compensation block is located between the Sign Bit block and the Stage 2 Gain block as shown in the [Section 2](#).

The offset compensation, V_{COMP} , is a value that is subtracted from the output of the sign bit block. This offset provides a means to null the sensor offset prior to Stage 2 Gain. The offset compensation circuit block provides ten bits of zero-order compensation and six bits of first-order TC compensation.

A more detailed block diagram of the offset compensation subsystem is shown in [Figure 6-6](#). As shown V_{comp} is derived from two references, V_{BG} and V_{PTAT} . Where V_{BG} is a precise temperature independent band-gap reference voltage, and V_{PTAT} is a proportional-to-absolute-temperature voltage. In PGA400-EP, the gains in the offset compensation circuitry (A, B, C) have been designed assuming the following characteristics about the reference signals:

$$V_{BG} = 1.23 \text{ V} \quad (13)$$

$$V_{PTAT}(T) = k_{PTAT} \cdot (T + 273) + \xi_{PTAT} \quad (14)$$

where

$$k_{PTAT} = 3.7 \text{ mV/}^\circ\text{C} \text{ and } \xi_{PTAT} = -47 \text{ mV} \quad (15)$$

NOTE

If an external temperature sensor is used, the signal applied to the VIN3 pin must have the same temperature dependency as the above mentioned V_{PTAT} signal or else the offset TC compensation does not work as intended.

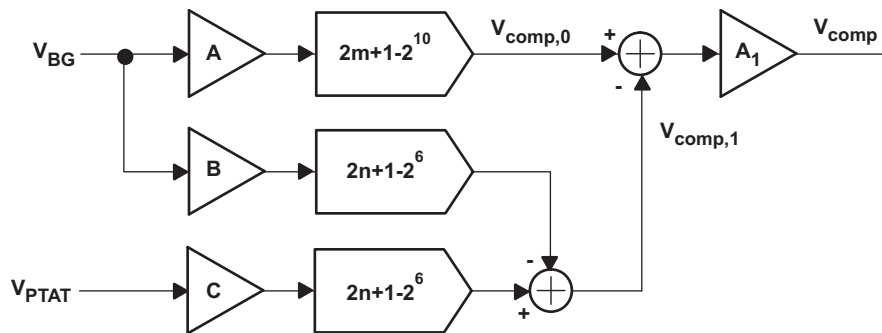


Figure 6-6. Block Diagram of Offset Compensation Circuit

The zero-order portion of V_{COMP} is produced by scaling V_{BG} by the gain A to generate the reference for a 10-bit DAC. The DAC scales this reference by $2m+1-2^{10}$, where m is decimal equivalent of the DAC's digital input and ranges from 0 to 1023. The zero-order portion of the compensation voltage is expressed as a function of m as shown in [Equation 16](#).

$$V_{COMP,0}(m) = V_{BG} \cdot A \cdot (2 \cdot m + 1 - 2^{10}) \text{ V} \quad (16)$$

The first order portion of V_{COMP} is constructed from the difference between scaled versions of V_{PTAT} and V_{BG} . The reason for this is that the temperature compensation signal should pivot about a particular reference temperature, which ideally would be the same temperature at which the zero-order portion of the sensor offset is calibrated out. Because V_{PTAT} pivots about 0 K, a temperature independent offset must be introduced to shift the pivot temperature up to a practical value like 22°C. The first-order portion of the compensation voltage is expressed in [Equation 17](#).

$$V_{comp,1}(n,T) = (C \cdot [k_{PTAT} \cdot (T + 273) + \xi_{PTAT}] - B \cdot V_{BG}) \cdot (2 \cdot n + 1 - 2^6) \text{ V} \quad (17)$$

Where the reference temperature about which this function pivots may be expressed in terms of the other variables as shown in [Equation 18](#).

$$T_R = \frac{1}{k_{PTAT}} \cdot \left(\frac{V_{BG} \cdot B}{C} - \xi_{PTAT} \right) - 273^\circ\text{C} \quad (18)$$

The gains B and C are set to produce a reference temperature of approximately 22°C.

When [Equation 17](#) and [Equation 18](#) are combined and consolidate the values of the constants, the final output voltage of the offset compensation circuit is expressed as a function of m, n, T, and A_1 in the following way:

$$V_{comp}(m, n, T, A_1) = A_1 \cdot \frac{1277}{3} \cdot [250 \cdot (2 \cdot m + 1 - 2^{10}) + 4.921 \cdot (T - 22)g(2 \cdot n + 1 - 2^6)]nV \quad (19)$$

For resistive sensors, the gain used for the offset compensation calculation is always the same as the first stage gain in the AFE and is controlled by the same registers. For capacitive sensors, A_1 is an independent variable that may be set to meet a specific sensor or noise requirements.

NOTE

The above voltage V_{comp} is subtracted (differentially) from the output of the first stage.

The Offset and Offset TC has two independent registers, Sensor 1 Offset Register (SEN1OFF1 and SEN1OFF2) and Sensor 2 Offset Register (SEN2OFF1 and SEN2OFF2), to accommodate for two independent sensors that can be potentially connected. The sensor offset value used is based on the SEN_CHNL bit in the Sensor Control Register (SENCTRL).

6.11 Stage 2 Gain Block

The Stage 2 Gain block is constructed with a low flicker noise, low offset amplifier. Both resistive bridge sensors and capacitive sensors share this gain stage. The gain setting for this stage ranges from 1 V/V to 25 V/V in 32 possible steps.

The Stage 2 Gain block has two independent registers, Sensor 1 Gain Register (SEN1GAIN) and Sensor 2 Gain Register (SEN2GAIN). This accommodates two different sensors that can be connected with different gain settings. The Stage 2 gain is determined by the SEN_CHNL bit in Sensor Control Register.

6.12 ADC Buffer Blocks

The device has two buffer blocks, one for the pressure signal path and one for the temperature signal path.

6.12.1 Analog to digital Converter Buffer 1

The ADC Buffer 1 is a differential amplifier with 2X gain that is used to condition the pressure signal before reaching the Analog to Digital Converter (ADC).

In addition to gain this block can be configured to provide a level shift using the ADC_BUF bit in Sensor Control Register (SENCTRL). When this bit is set to '0', no offset is introduced to the signal, and the output of the ADC buffer is simply two times the output of Gain Stage 2. When this bit is set to '1', a -1.65 V offset is introduced such that the output of the ADC buffer is equal to two times the output of Gain Stage 2 minus 1.65 V. The Level Shift feature of the ADC Buffer shifts the output of the Stage 2 Gain so that the full dynamic range of the sigma-delta modulator can be used.

6.12.2 Analog to digital Converter Buffer 2

The ADC Buffer 2 is a unity gain differential amplifier. This buffer block conditions the temperature signal before reaching the ADC.

6.13 Sigma Delta Modulator Blocks

There are two independent Sigma Delta Modulator ADCs, one for the pressure signal and another for the temperature signal.

6.13.1 Sigma Delta Modulator for AD Converter 1

The Sigma Delta Modulator 1 block is a 1-bit 1MHz sigma-delta modulator for the pressure sensor signal. To further condition the signal this stage is followed by two stages of digital decimation filters.

6.13.2 Sigma Delta Modulator for AD Converter 2

The Sigma Delta Modulator 2 block is a 1-bit 128kHz sigma-delta modulator for the temperature signal. The input signal to the sigma-delta modulator can come from either the internal or external temperature. The output of this ADC is followed by a single decimation filter.

6.14 Decimation Filter Blocks

The device contains three Signal Decimation Filters. Two back to back decimation filters for the pressure sensor signal path and one decimation filter for the temperature path.

6.14.1 ADC1 Decimation Filter Blocks

The sensor signal path contains two decimation filters in series with each other. The first decimation filter has a fixed decimation ratio and a second decimation filter that has a variable decimation ratio.

The 1st Stage Decimator Filter has a fixed decimation ratio of 32. Based on the 1MHz sampling frequency of the sigma-delta modulator, the output rate of the 1st stage decimator is fixed at 32 μ s per sample.

The 2nd Stage Decimator has a variable decimation ratio. This filter further decimates the output of the first stage decimator. The decimation ratios of the second stage can be configured for a decimation ratio of 2, 4, or 8 using the OSR[1..0] bits in the Decimator and Low Power Control Register (DECCTRL).

The output of the second decimation filter in the sensors signal path is a 16 bit **signed** value. Some example second stage decimation output codes for given differential voltages at the input of the sigma delta modulator are shown in [Table 6-3](#):

Table 6-3. Input Voltage to Output Counts for the Signal Channel ADC

SIGMA DELTA MODULATOR DIFFERENTIAL INPUT VOLTAGE	NOISE-FREE OUTPUT
-3.3V	-32768
-1.65V	-16384
0	0
1.65V	16383
3.3V	32767

6.14.2 Decimation Filters for AD Converter 2

The temperature path contains one fixed ratio decimation filter block after the sigma delta modulator. The filter is 10-bit with fixed decimation ratio of 1024. Based on the 128-kHz sampling frequency, the output rate of the fixed ratio decimation filter is fixed at 8 ms per sample.

The output of the temperature channel decimation filter is a 10 bit **signed** value. The equation to calculate the relationship between the input voltage at VIN3 and the output of the decimator block is shown below.

$$\text{ADC Code} = 760 * \text{VIN3} - 820, \text{VIN3 is voltage at the input of the buffer in volts.} \quad (20)$$

[Table 6-4](#) summarizes the relationship between the internal temperature sensor and the decimator output.

Table 6-4. Input Voltage to Output Counts for the Temperature Channel ADC

INTERNAL TEMPERATURE	NOISE-FREE OUTPUT OF TEMPERATURE CHANNEL DECIMATOR
-40°C	-196
-20°C	-140
0°C	-83
20°C	-27
40°C	28
150°C	338

6.14.3 Accessing the ADC Values for the 8051

the ADC Decimator Output Register (ADCMSB and ADCLSB) makes available the output of all three decimators that are available to the microprocessor.

The microprocessor specifies which decimator is loaded by writing a "1" to the appropriate bit in the Load ADC Decimator Shadow Register (LD_DEC).

If more than 1 bit in the LD_DEC register is set to 1 simultaneously, then only one decimator output is loaded into ADCMSB and ADCLSB register. The priority used to determine which decimator output gets loaded is as follows:

- Decimator 1 Output
- Decimator 2 Output
- Temperature Decimator

6.15 8051 WARP Microprocessor Block

The 8051 WARP microprocessor is an exceptionally high-performance version of this popular 8-bit microcontroller, requiring only 2 clocks per machine cycle rather than the 12 clocks per cycle of the industry standard device while it maintains functional compatibility with the standard device

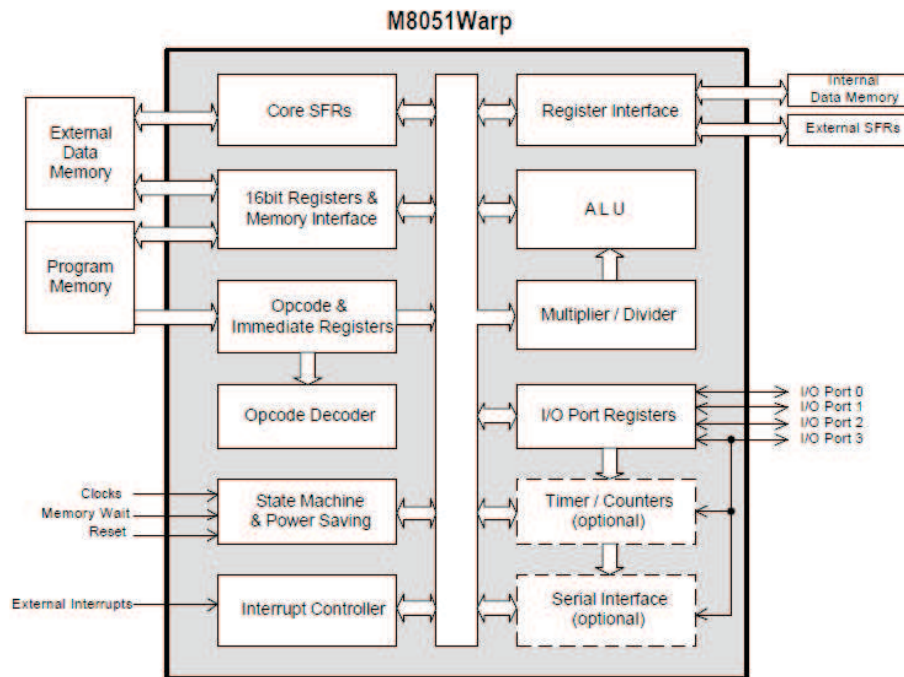


Figure 6-7. 8051W Core. The 8051W core includes two 16-bit timers and serial interface.

6.16 Digital Interface

The digital interfaces are used to access (read as well as write) the internal memory spaces described in [Section 6.20](#). Each interface uses different pin(s) for communication. The device has three separate modes of communication:

1. One-Wire Interface (OWI)
2. Serial Peripheral Interface (SPI)
3. Inter-Integrated Circuit (I²C)

Each communication mode has its own protocol of communication, but all three access the same memory elements within the device. For all three communication modes the PGA400-EP device operates as a slave device.

Figure 6-8 shows the interface between the 8051W, the Memory block and the Digital Interface. In the PGA400-EP, only the Digital Interface OR the 8051W can access the internal memory spaces. It is not possible for both 8051W and the Digital Interface to access the memory spaces simultaneously. Therefore there is an access selection bit called IF_SEL in the Micro/Interface Control Register (MICRO_IF_SEL_T) that allows either the 8051W microprocessor or the digital interfaces to have access to the OTP, EEPROM, ESFR and RAM memory spaces.

Figure 6-8 also shows that a special memory space called the Test Registers are only accessible only via the Digital interface. Since the Micro/Interface Control Register is in the Test Register memory block which is only accessible via the digital interface, only the digital interfaces can change the memory access selection.

To select the specific digital interface that is used for communication the DI_CTRL[1:0] bits in the Digital Interface Control Register (DI_CTRL) need to be set. If DI_CTRL is configured for I2C, then GPIO1 and GPIO3 automatically configures for I2C operation.

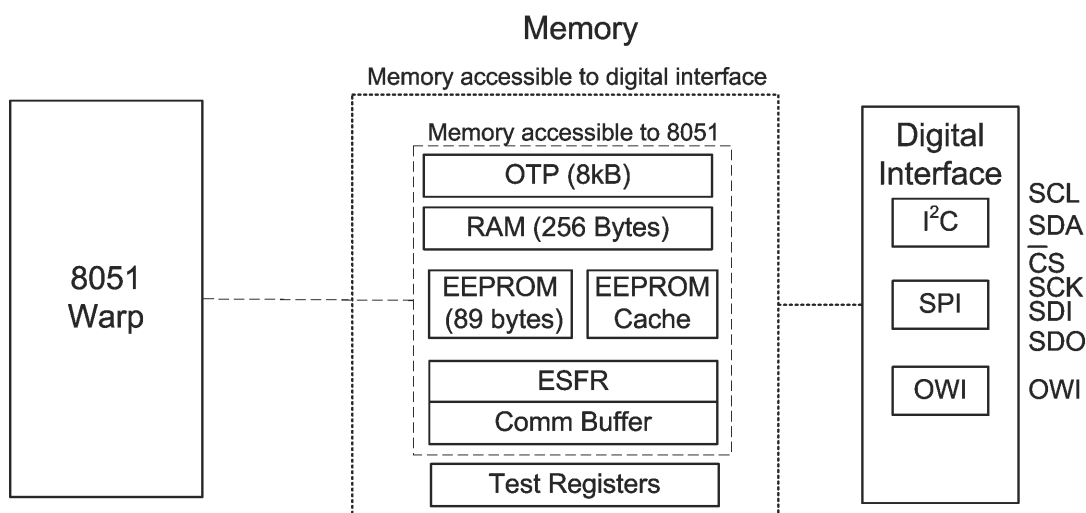


Figure 6-8. Digital Interface

NOTE

If Digital Interface is used to access the internal memory, the 8051W must enter reset state (to prevent the 8051W from accessing the memory. The 8051W operates in reset state using the "MICRO_RESET" bit in the Micro/Interface Control Register (MICRO_IF_SEL_T).

NOTE

The internal memory space internal is accessible via the Digital Interface without the need for the user to implement any communication software in the 8051W. The user must implement communication software, in the form of an interrupt service routine, only if the user wishes to communicate with the PGA400-EP while 8051W is not in reset state. This interrupt service routine is used in conjunction with a communication buffer interface, that is available in both the ESFR and Test Memory address spaces.

NOTE

While the 8051W is not in a reset state, it transfers data to the internal memory space using the Digital Interface. This transfer is accomplished using the communication buffer that exists between the Test Register memory space and the ESFR memory space (shown as COMM BUFFER in Figure 6-8).

6.17 One-Wire Interface (OWI)

The device includes a One-Wire Interface (OWI) digital communication interface. The main function of the OWI is to enable writes to and reads from all addresses available for OWI access. These include access to most Test Register and ESFR memory locations.

6.17.1 Overview of OWI Interface

The OWI digital communication is a master-slave communication link in which the PGA400-EP operates as a slave device only. The master device controls when data transmission begins and ends. The slave device does not transmit data back to the master until it is commanded to do so by the master. A logic 1 (high) value on the one wire interface is defined as a *recessive* value, while a logic 0 (low) value on the one-wire interface is defined as a *dominant* value.

The VOUT1/OWI pin acts as both an analog DAC output and the interface communication pin, so that when the device is embedded inside of a system module only three pins are needed (VOUT1/OWI pin, VDD and GND). The 8051 microprocessor has the ability to control the activation and deactivation of the OWI interface based upon the signal driven into the VOUT1/OWI pin.

During normal operation the DAC is the last stage of the sensor signal path, and drives data out on the VOUT1/OWI pin in the form of an analog signal. To change to OWI communication mode this pin must be driven with an appropriate activation signal described in [Section 6.17.2](#).

Figure 6-9 shows a functional equivalent circuit for the structure of the OWI and DAC circuitry.

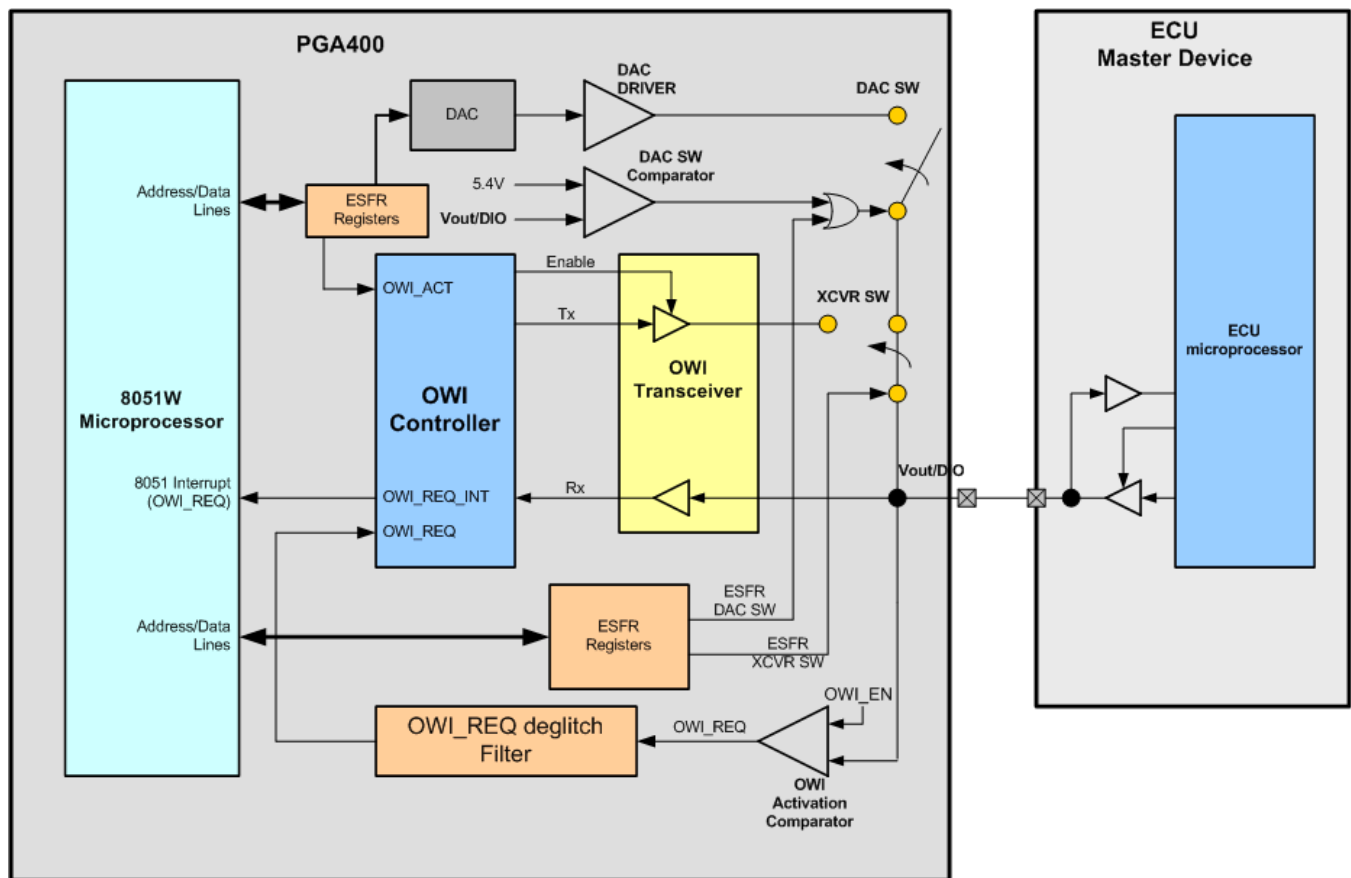
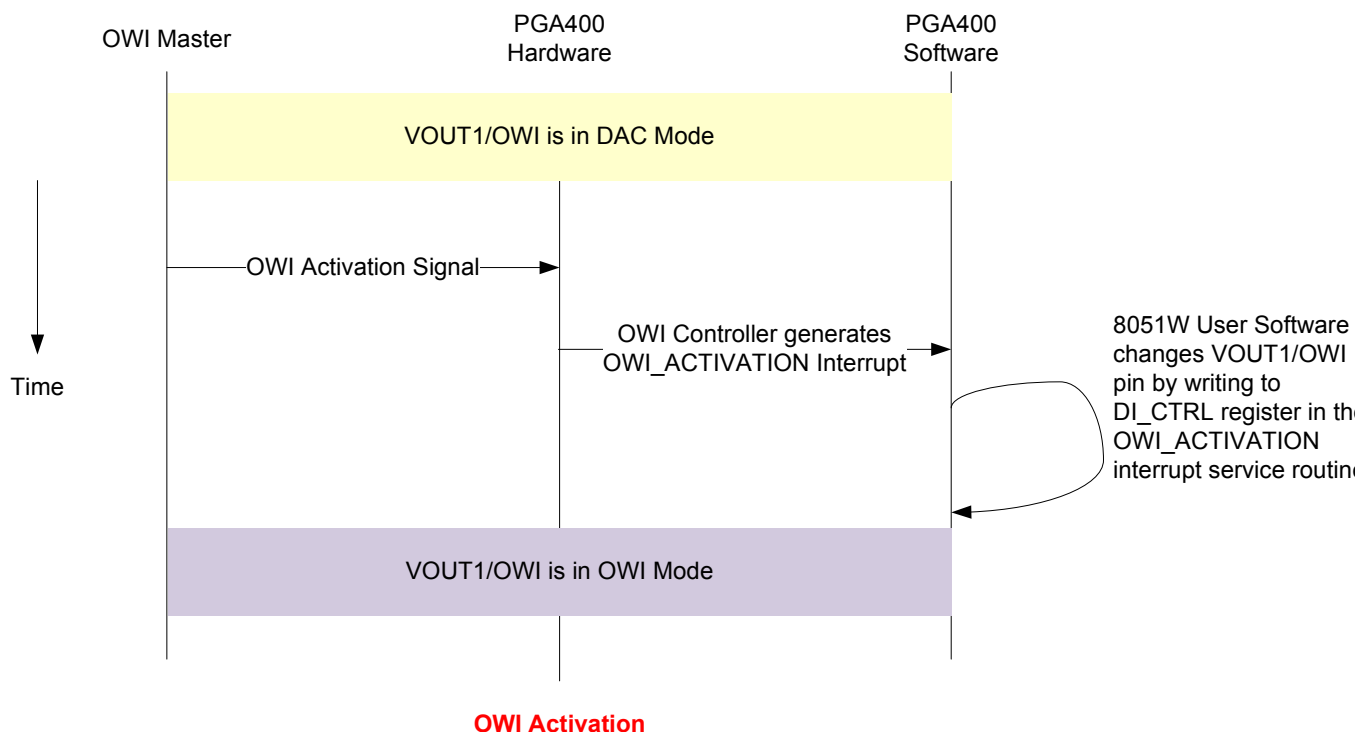


Figure 6-9. OWI System Components

6.17.2 Activating and Deactivating the OWI Interface

6.17.2.1 OWI Activation Procedure

Figure 6-10 shows the sequence diagram for the OWI activation procedure. This figure shows that the OWI master initiates the switching of the VOUT1/OWI pin from DAC output mode to OWI mode by generating an OWI activation signal. Upon receiving the OWI activation signal, the PGA400 OWI controller generates OWI_ACTIVATION interrupt to the 8051W. The user interrupt service routine switches the VOUT1/OWI mode by writing to the appropriate registers.



OWI Activation
Figure 6-10. OWI Activation Sequence

6.17.2.2 OWI Activation Signal

If the device is operating in the normal operation where the DAC is active and I2C or SPI communication modes are not enabled the following activation signal can be driven into the VOUT1/OWI pin to place it into OWI communication mode. The process begins with driving the OWI_EN voltage on the VOUT1/OWI pin. As soon as the DAC voltage exceeds 5.4 volts the DAC is switched off by a comparator. Once the pin voltage reaches the OWI_EN voltage threshold a deglitch timer begins. Once the pin voltage has been asserted for a time greater than the deglitch time the OWI Activation Comparator transmits a logic 1 value to the OWI Controller. Figure 6-11 illustrates the activation of the OWI interface.

This deglitch time is set by the OWI_DEGLITCH_SEL bit in the Digital Interface Control Register (DI_CTRL), and has the following properties:

- OWI_DEGLITCH_SEL = '0' → OWI Activation deglitch time = 1ms
- OWI_DEGLITCH_SEL = '1' → OWI Activation deglitch time = 10ms
- The default value for OWI_DEGLITCH_SEL bit is '0', which corresponds to deglitch time of 1ms.

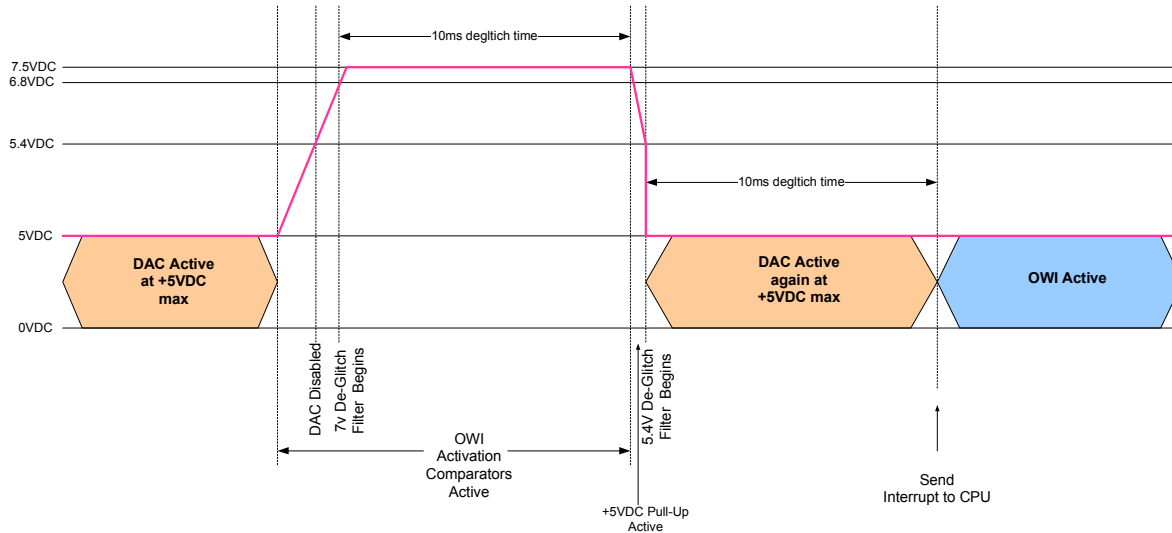


Figure 6-11. OWI Activation Using Overvoltage Drive. Deglitch is assumed to be 10ms.

When the high voltage has been maintained for the proper deglitch time, the pin must then be driven back to the standard 5V IO voltage for an additional deglitch time set by the same bit as before. During this second deglitch time the DAC becomes active again only until the the second deglitch time has passed. Once this second deglitch period is over the OWI controller generates an OWI activation interrupt that is sent to the 8051. This user interrupt service routine switches the VOUT1/OWI pin's mode by writing to the appropriate registers. The OWI transceiver is switched to the VOUT1/OWI pin and the DAC is placed back into the OFF state. The capability to drive the appropriate OWI_EN voltage must be provided in the test environment.

The XCVR switch, controlled by an ESFR register, changes the output drive from the unidirectional DAC analog signal to the bi-directional OWI digital signal interface. Once this switch is selecting the OWI transceiver, OWI data can be transmitted and received through the VOUT1/OWI pin. The OWI transceiver is responsible for translating voltage levels to appropriate logic levels so that the OWI controller may process the OWI data. The OWI_REQ deglitch filter ensures that no invalid activation signals are transmitted from the analog OWI Activation Comparator to the 8051 interrupt input. Both the DAC switch ESFR and the XCVR switch ESFR must be set via the OWI interrupt service routine. It is recommended to set the DAC switch to the OFF position before setting the XCVR switch to the OWI mode.

If the device is already in SPI communication mode or I₂C communication mode, enabling OWI communication changing the DAC enable bit and the OWI transceiver enable bit in the Digital Interface Control Register (DI_CTRL) is the only requirement. The register bits can be set manually in the following order.

1. The register bits DI_CTRL[1:0] in the Digital Interface Control Register (DI_CTRL) need to be set to 0b10. This activates the OWI controller and deactivates the DAC via the DAC switch.
2. The OWI_XCR_EN bit in the Digital Interface Control Register (DI_CTRL) must be set to 1. This turns on the OWI transceiver and switches the VOUT1/OWI pin to the OWI transceiver.

NOTE

Note that DI_CTRL[1:0] and OWI_XCR_EN bits can be written simultaneously (in 1 write command). However, because the state of the VOUT1/OWI is unknown during the transition from VOUT1 to OWI, it is recommended that the master wait at least 15 ms before transmitting the OWI command.

6.17.2.3 Deactivating OWI Communication

In order to deactivate the OWI communication the following two steps must be performed in any order.

- The OWI_XCR_EN bit in the Digital Interface Control Register (DI_CTRL) must be set to 0. This turns off the OWI transceiver and switch the VOUT1/OWI pin to the DAC driver.
- The register bits DI_CTRL[1:0] in the Digital Interface Control Register (DI_CTRL) must to be a value other than 0b10. This selects a different Digital Interface (either I2C or SPI) and it also switches on the DAC driver.

6.17.3 OWI Communication Error Status

The device has the ability to detect and report errors in OWI communication. The OWI Error Status 1 Register (OWI_ERR_1), and OWI Error Status 2 Register (OWI_ERR_2) contain the error bits. The communication errors that are reported with the registers include

- Out of range communication baud rate
- Invalid SYNC field
- Invalid STOP bits in command and data
- Invalid OWI command

6.18 Serial Peripheral Interface (SPI) Interface

The device includes a Serial Peripheral Interface (SPI) digital communication interface. The main function of the SPI is to enable writes to and reads from all addresses available for SPI access.

6.18.1 Overview of SPI Interface

SPI is a synchronous, serial, master-slave, communication standard that requires the following four pins:

- SDI: SPI slave in master out, serial input pin.
- SDO:SPI slave out master in, serial output pin (tri-state output)
- SCK: SPI clock which controls the communication.
- \overline{CS} : chip select (active low)

SPI communicates in a master/slave style where only one device, the master, can initiate data transmissions. The PGA400-EP always acts as the slave in SPI communication, where whatever external device that is communicating to it becomes the master mode. Both devices begin data transmission with the most significant bit (MSB) first.

Because multiple slave devices can exist on one bus, the master node is able to notify the specific slave node that it is ready to begin communicating with by driving the \overline{CS} line to a low logic level. In the absence of active transmission, the master SPI device places the device in reset by driving the \overline{CS} pin to a high logic level. During a reset state the SDO pin operates in tri-state mode. For the SPI interface to have access to memory locations other than test register space, the IF_SEL bit in the Micro/Interface Control Test register (MICRO_IF_SEL_T) has to be set to '1'.

6.18.2 Activating the SPI Interface

To activate SPI communication the following steps must be made in order:

1. Place the 8051W in reset by setting the MICRO_RESET bit in the Micro/Interface Control Register (MICRO_IF_SEL_T) to logic "high"
2. Give control of the memory block to the digital interface by setting the IF_SEL bit in the Micro/Interface Control Register (MICRO_IF_SEL_T) to logic "high"
3. Set the DI_CTRL bits in the Digital Interface Control Register (DI_CTRL) to 0b00 for SPI interface

6.18.3 Clocking Details of SPI Interface

Input data on the SDI pin must be valid on the rising edge of the SCK clock, whereas output data on the SDO pin changes during the rising edge of the SCK clock. For SPI timing information the SPI Timing diagram is shown in [Figure 5-1](#).

6.19 Inter-Integrated Circuit Interface

The device includes an Inter-Integrated Circuit (I²C) digital communication interface. The main function of the I²C is to enable writes to, and reads from, all addresses available for I²C access.

6.19.1 Overview of I²C Interface

I²C is a synchronous serial communication standard that requires the following two pins for communication:

- GPIO_1/IC_1/SDA: I²C Serial Data Line (SDA)
- GPIO_3/OC_1/SCL: I²C Serial Clock Line (SCL)

I²C communicates in a master/slave style communication bus where one device, the master, can initiate data transmission. The device always acts as the slave device in I²C communication, where the external device that is communicating to it acts as the master node. The master device is responsible for initiating communication over the SDA line and supplying the clock signal on the SCL line. When the I²C SDA line is pulled low it is considered a logical zero, and when the I²C SDA line is floating high it is considered a logical one. For the I²C interface to have access to memory locations other than test register space, the IF_SEL bit in the Micro/Interface Control Test register (MICRO_IF_SEL_T) has to be set to logic one.

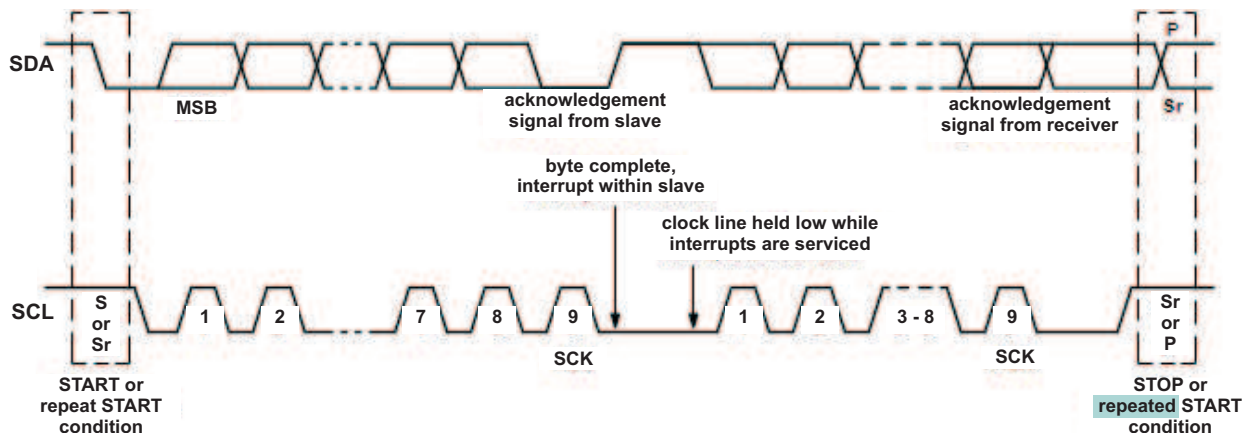
6.19.2 Activating the I²C Interface

To activate I²C communication the following steps must be made in order:

1. Place the 8051W into a reset state by setting the MICRO_RESET bit in the Micro/Interface Control Register (MICRO_IF_SEL_T) to logic "high"
2. Give control of the memory to digital interface by setting the IF_SEL bit in the Micro/Interface Control Register (MICRO_IF_SEL_T) to logic "high"
3. Set the DI_CTRL bits in the Digital Interface Control Register (DI_CTRL) to 0b01 for I²C interface

6.19.3 Clocking Details of I²C Interface

The device samples the data on the SDA line when the rising edge of the SCL line is high, and is changed when the SCL line is low. The only exceptions to this indication a start, stop or repeated start condition as shown in [Figure 6-12](#)



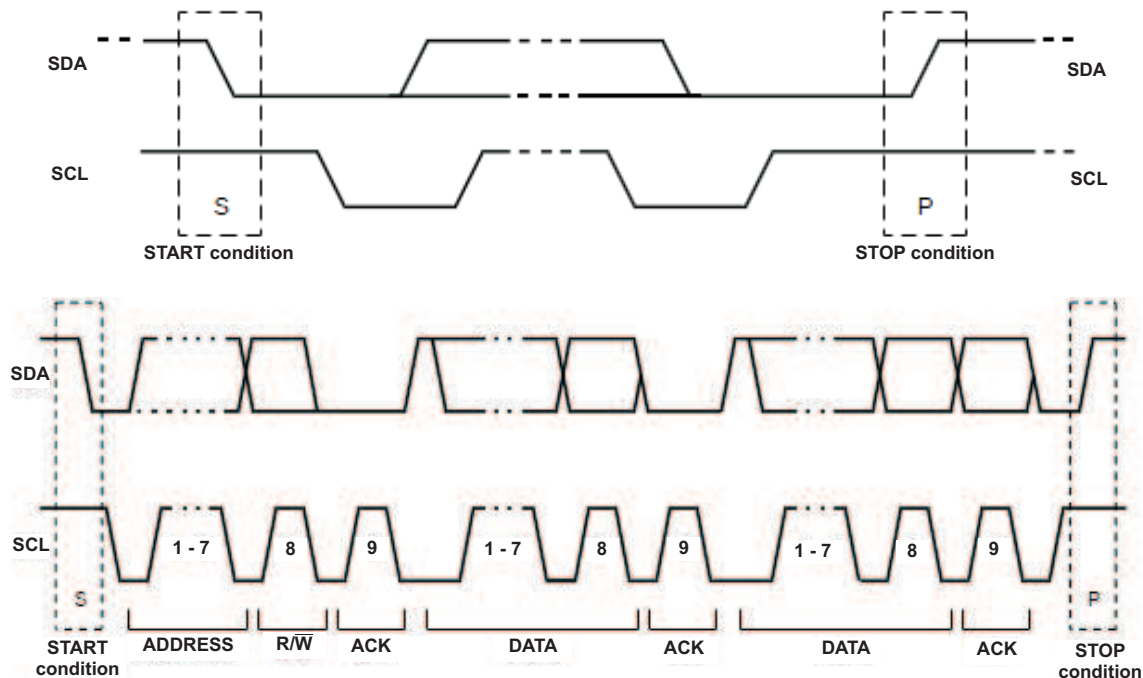


Figure 6-12. I2C Clocking Details

6.20 Memory

6.20.1 OTP Memory

The OTP Memory space is 8 kB and is located at memory pages 3 and 4. This memory space contains program instructions for the 8051W microprocessor. To program the OTP memory an external VP_OTP voltage needs to be applied to the VP_OTP pin.

The device has the ability to lockout access to all memory spaces except the Test Register space from the digital interface. This helps protect firmware intellectual property. The locking/unlocking of the access to the OTP memory is achieved using 8051W Port 0 in the SFR memory space (P0[7:0]) in the following way:

- If P0(7:0) is set to 0xAA, the Digital Interface is in locked state. In this state, memories cannot be read via Digital Interface. Note that once the Digital Interface is locked, the Micro/Interface Control Test register is also not accessible via the Digital Interface.
- If P0(7:0) is set to 0x00 while the Digital Interface is in locked state, then the memories are accessible via Digital Interface.

The 8051W microprocessor can access all memories even when the memories are in locked state, allowing software programs to execute. If the Digital Interface is in locked state and the CPU watchdog causes a 8051W reset, the Digital Interface maintains the lockout state.

6.20.2 EEPROM Memory

Figure 6-13 shows the EEPROM Bank structure. EEPROM cells within a bank are activated only when reading from or writing to their specific EEPROM bank. Therefore the contents of each EEPROM must be transferred to the EEPROM Cache before reads and writes can occur to that bank. There are a total of six banks of EEPROM, and they are located at memory page 5.

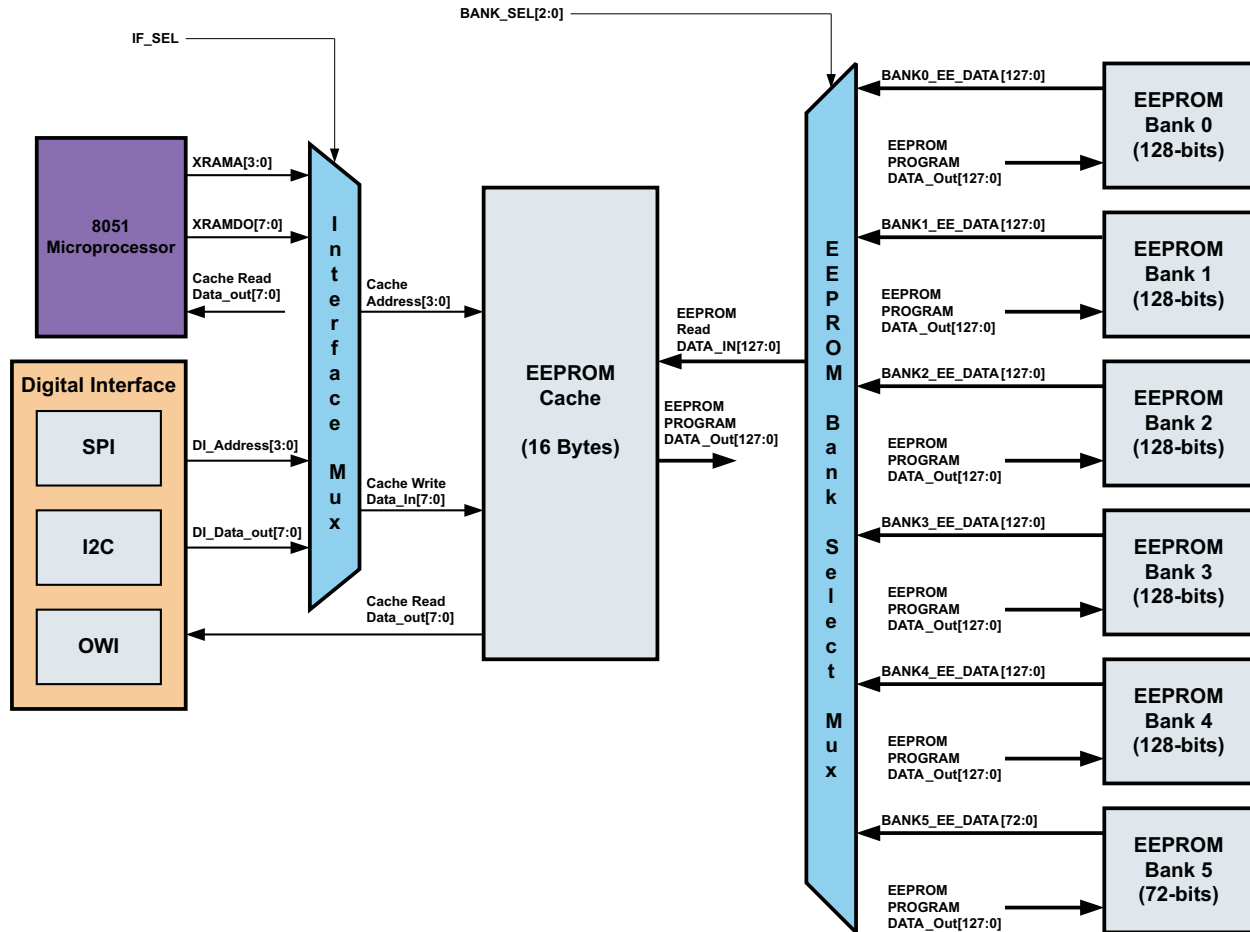


Figure 6-13. Structure of EEPROM Interface

6.20.2.1 EEPROM Memory Organization

6.20.2.1.1 EEPROM Cache

The EEPROM Cache serves as temporary storage of data being transferred to/from a selected EEPROM bank. Data transferred to the EEPROM cache from either a digital interface or from the M8051 is byte addressable and one byte at a time can be written to or read from. The only exception being a special OWI burst write/read access in which 8 bytes of data can be accessed at a time. Selection of the EEPROM Cache interface is determined by the IF_SEL bit in the EEPROM Access Control register.

Data transferred to the Cache from an EEPROM bank is loaded 128-bits at a time during the EEPROM Cache load cycle. EEPROM Bank selection is determined by the value placed in the BANK_SEL bits in the EEPROM Access Control Register. When programming an EEPROM bank, the EEPROM Cache holds the programming data for the amount of time necessary to complete the EEPROM programming process.

6.20.2.1.2 Bank 0

Bank 0 is used for storage of customer data and is the only bank which can be programmed by both the 8051W and the Digital Interface. 16 bytes of EEPROM data are provided in bank 0. No CRC validation against a pre-stored CRC value occurs when Bank 0 is programmed, and thus, there are no dedicated EEPROM Cells used for CRC storage.

Due to limited number of erase/write cycles, the user has to keep track of the number of writes to EEPROM Bank 0 and store the value inside the bank because it is the only bank that is accessible when the write is occurring.

6.20.2.1.3 Banks 1-4

Banks 1–4 are used for storage of customer data. Each bank 1 through 4 provides 128-bits of data storage for a total of 512 bits (64 bytes) of storage data. Since the 8051W does not have access to these banks, only the digital interfaces can program them. Each time one of these banks is programmed a CRC is calculated based upon the data held in the EEPROM Cache during program. This calculated CRC value is stored internally and validated after bank programming is complete.

6.20.2.1.4 Bank 5

The first 64-bits (8 bytes) of Bank 5 are provided to the customer for calibration value and/or general storage. Byte 9 is used for the storage of the cumulative CRC values for banks 1-4 and the first half of Bank 5. When programming Bank 5 it is required to place the cumulative CRC value for banks 1–5 in the EEPROM Cache Address 0x558. This CRC value covers all data in banks 1 through 4 and the first 64-bits of data in bank 5. Everytime programming of Bank 5 is completed the CRC value is validated. The remaining 7 bytes of Bank 5 (0x559 - 0x55F) are not used.

6.20.3 RAM Memory

This memory space is used for 8051W scratchpad memory, such as intermediate calculation results. It is a 256 byte memory space, and located at memory page 1.

6.20.4 SFR/ESFR Memory

The 8051W uses two types of memory storage, Special Function Registers (SFR) and External Special Function Registers (ESFR). The SFR registers are used for 8051W internal operations, and cannot be accessed external to the 8051W. The ESFR register exists on the same address space as the SFR, however these registers can be accessed via the digital interface. The ESFR registers are used for calibration, configuration, fault reporting and memory storage. The SFR/ESFR total memory space is 256 bytes, and they are located at memory page 2.

6.20.5 Test Register Memory

The test register memory space is used for diagnostic configuration, and testing for sensor calibration. The test registers are located at memory page 0, and can only be accessed by the Digital Interface.

6.21 General Purpose Input Output (GPIO) Pins

The GPIO_x pins have multiple functions, including general purpose inputs/outputs (GPIO), input capture, output compare or I2C. In the GPIO mode, the GPIO_x pins are connected directly to 8051W port pins. The state of the pins can then be controlled through software by setting the appropriate I/O port SFRs in the 8051W. [Table 6-5](#) shows the mapping of the GPIO_x pins to specific 8051W ports.

6.21.1 Setting the GPIO Functions

Table 6-5. GPIO_x Pin Functionality

PIN	8051W PORT	ALTERNATE FUNCTION 1	ALTERNATE FUNCTION 2
GPIO_1/IC_1/SDA	2.0	Input Capture 1	I2C Data
	Default	Set IC1_ACT to 1 in IC_OC_GPIO	Set DI_CTRL[1:0] = 0b01 in DI_CTRL
GPIO_2/IC_2	2.1	Input Capture 2	-
	Default	Set IC2_ACT to 1 in IC_OC_GPIO	

Table 6-5. GPIO_x Pin Functionality (continued)

PIN	8051W PORT	ALTERNATE FUNCTION 1	ALTERNATE FUNCTION 2
GPIO_3/OC_1/SCL	2.2	Output Compare 1	I2C Clock
	Default	Set OC1_ACT to 1 in IC_OC_GPIO	Set DI_CTRL[1:0] = 0b01 in DI_CTRL
GPIO_4/OC_2	2.3	Output Compare 2	
	Default	Set OC2_ACT to 1 in IC_OC_GPIO	
GPIO_5	3.2	-	-
	Default		

After power up or reset, the default configuration for all of these pins is the input GPIO function. To change the function of a pin a write command to the appropriate ESFR will automatically reconfigure it. [Table 6-5](#) shows the appropriate bits in each ESFR that need to be set to enable different functions for each GPIO pin.

As [Table 6-5](#) shows, some GPIOx pins can be configured for multiple alternate functionalities and therefore the device implements a priority level for each GPIO configuration. The priority level is as follows:

1. I²C
2. Input Capture / Output Compare
3. General Purpose I/Os

This means that if the IC1_ACT bit is set to 1 (enabling Input Capture 1 functionality on GPIO_1 pin) and the DI_CTRL[1:0] bits are set to 0x01 (enabling I2C functionality on GPIO_1) then the GPIO_1 pin is configured as I2C pin.

6.21.2 GPIO Buffers

The device includes five general purpose digital input/output buffers, one for each of the GPIO_x pin. The buffers can be configured to operate as standard 8051W I/O buffers or other alternate functions such as I2C and input capture/output compare. The direction of the buffers are controlled digitally depending on the mode of the GPIO_x pin.

The device also offers a strong drive mode which allows the user to override the digital control signals generated by the 8051W GPIO interface. This mode is set for a given IO buffer via the GPIO Strong Output Drive Mode ESFR. When a '1' is written to the ST_GPOx bit, a switch at the output of the Output buffer is always closed, providing a means to strongly pull up or down the voltage on the GPIO_x pin regardless of whether output data is low or high. It is important to note that the *GPIO Strong Output Drive Mode* ESFR can be set independent of the function assigned to the GPIO buffers. Strong drive mode should be disabled if the buffer should operate as an input or in I2C mode.

6.22 8051W UART

The TxD and RxD pins are connected to the 8051W UART. These pins can either be used for software debugging or for implementing application-specific protocols. Both the TxD and RxD pins have their respective unidirectional buffers.

6.23 DAC Output

The device includes two 12-bit digital to analog converters that produce a ratiometric output voltage with respect to the VDD supply. The digital input comes from the DAC 1 or DAC 2 registers, where the 4 MSBs reside in a separate address from the 8 LSBs. **In order to update the analog outputs on the VOUTx pins in a coherent manner, the software must update the MSBs first, followed by the LSBs.**

NOTE

Changes in the VDD voltage result in a proportional change in the output voltage because the current reference for the DAC is derived from VDD.

6.24 Input Capture and Output Compare

The device has two Input Capture and two Output Compare ports. [Table 6-5](#) shows the GPIO pins of the device that can be used for Input Capture and Output Compare ports. The capture and compare functionality uses a 16-bit Free Running Timer for the events.

6.24.1 Free Running Timer

The Free Running Timer is a 16-bit timer that is different from the 8051W native timers. The resolution of the Free Running Timer can be set to either 1 μ s/bit or 0.5 μ s/bit using 10_20_MHZ bit in Input Capture/Output Compare Control Register (IC_OC_CTRL) in the ESFR memory spacer.

The current value of the Free Running Timer can be accessed using the Free Running Timer Shadow Registers (FRTMSB & FRTLSE). This register is only updated upon request, it is not continuously updated. When the IC_OC_TIM_LAT bit in the Input Capture/Output Compare Control Register (IC_OC_CTRL) is set to logic 1, the current value of the Free Running Timer is written to the Free Running Timer Shadow registers.

6.24.2 Input Capture

The device has 2 Input Capture ports. The Input Capture functionality can be enabled when the pin is configured to be a GPIO by setting ICx_ACT (x = 1,2) bits in the Input Capture/Output Compare GPIO Register (IC_OC_GPIO) in the ESFR memory space. When the user sets the corresponding bit to logic high, the GPIO pin is configured for Input Capture functionality automatically.

The Input Capture port can be configured to either capture the Free Running Timer value on a rising edge or falling edge using the ICx_EDGE bits in the Input Capture/Output Compare Control Register (IC_OC_CTRL) in the ESFR memory space. Both IC_1 and IC_2 each have unique 16-bit timer capture registers associated with them called Input Capture 1 Register and Input Capture 2 Register respectively. When the corresponding rising or falling edge occurs the Input Capture peripheral transfers the value of the Free Running Timer into the corresponding capture register and generates an interrupt to the 8051W.

6.24.3 Output Compare

The device has 2 Output Compare ports. The Output Compare functionality can be enabled when the pin is configured to be a GPIO by setting OCx_ACT (x = 1,2) bits in the Input Capture/Output Compare GPIO Register (IC_OC_GPIO) in the ESFR memory space.

The Output Compare port can be configured to either (1) Set the pin to High level when the match occurs or (2) Set the pin to Low level when the match occurs. The user can configure the desired state of the OC_1 and OC_2 pins at match using OC1_LVL and OC2_LVL bits in the Input Capture/Output Compare Control Register (IC_OC_CTRL) .

Each Output Compare port has a unique 16-bit timer compare register associated with it. When the value programmed in the compare register matches the value of the Free Running Timer, the Output Compare peripheral changes the state of the corresponding pin to the configured value and generates a unique interrupt to the 8051W. This occurs every time the value in the Compare register matches the value of the Free Running Timer.

NOTE

For correct function of the output compare it is recommended that the MSB be updated first and then the LSB.

6.25 Diagnostics

This section describes the diagnostics.

6.25.1 Power Supply Diagnostics

The device includes modules to monitor the power supply for faults. The internal power rails that are monitored are AVDD, DVDD, VBRG, and EEPROM charge pump. Please refer to the electrical specifications for the thresholds.

When a fault is detected, an appropriate bit in the PSMON1 and PSMON2 registers is set. If the faulty condition is removed, the fault bits will remain latched. To remove the fault the 8051W software should read the fault bit and write a logic zero back to the bit. In addition a system reset will clear the fault.

6.25.2 Resistive Bridge Sensor Connectivity Diagnostics

The device includes modules to monitor for sensor faults. Specifically, the device monitors the sensor pins for opens (including loss of connection from the sensor), short-to-ground, and short to sensor supply.

When a fault is detected, an appropriate bit in the AFEDIAG register is set. All three types of sensor faults will result in the setting of the same bit, meaning it is not possible to distinguish the type of fault that has occurred. Even after the faulty condition is removed, the fault bits remains latched. To remove the fault the 8051W software should read the fault bit and write a logic zero back to the bit. In addition a system reset will clear the fault.

Open Sensor Faults are detected through the use of an internal pull-down resistor. The value of the resistor can be configured using DIS_R1M and DIS_R2M bits in Decimator and Low Power Control Register (DECCTRL) in the ESFR memory space. This configurability allows the detection of open sensor faults for various Stage 1 Gain settings.

6.25.3 AFE Diagnostics

The device includes modules that verify that the input signal of each stage is within a certain range. This ensures that every stage of the signal chain is working normally. Overvoltage and undervoltage range flags are implemented in four locations along the signal chain (Sensor Input, Stage 1 Gain output, Stage 2 Gain output, and ADC Buffer output). When a fault is detected, the corresponding bit is set in the AFEDIAG registers. It is noted both overvoltage and undervoltage conditions set a common bit; i.e., it is not possible to distinguish between overvoltage and undervoltage.

The AFE Diagnostics also includes the monitoring of the frequency of the Self-Oscillating Demodulator circuit used for capacitive sensor interface. If the frequency is less than 40KHz (typical) or more than 1MHz (typical), a fault flag is set in the AFEDIAG register. The monitoring of this frequency can be enabled or disabled using the CTOV_CLK_MON_EN bit in the ENABLE CONTROL register. Both over-frequency and under-frequency conditions set same bit which means it is not possible to distinguish which type of fault occurred that resulting in the flag.

The typical threshold values for these faults are in boxes in [Figure 6-14](#).

When a fault is detected, an appropriate bit in the AFEDIAG register is set. All sensor faults will result in the setting of the same bit, meaning there is no way to distinguish the type of fault. Even after the faulty condition is removed, the fault bits will remain latched. To remove the fault the 8051W software should read the fault bit and write a logic zero back to the bit. In addition a system reset will clear the fault.

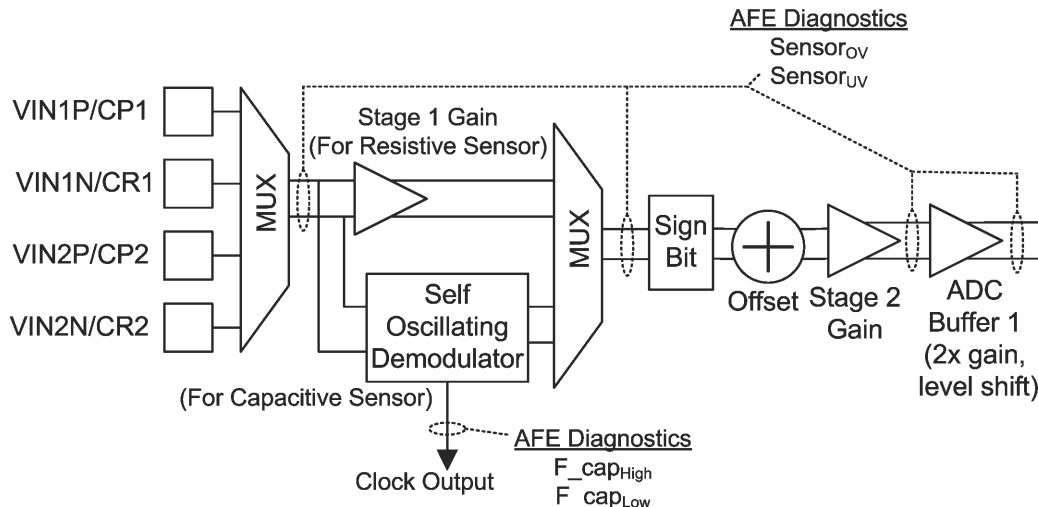


Figure 6-14. Block Diagram of AFE Diagnostics

6.25.4 Internal Capacitors for Capacitive Sensor Diagnostics

The device includes Cp and Cr Test capacitors that can be connected to the capacitive AFE via software control. This allows the software to check the integrity of the capacitive signal chain in the IC.

Figure Figure 6-15 shows the block diagram with the Cp and Cr Test capacitors. The Cp Test capacitor is 10pF and Cr Test capacitor is 8pF.

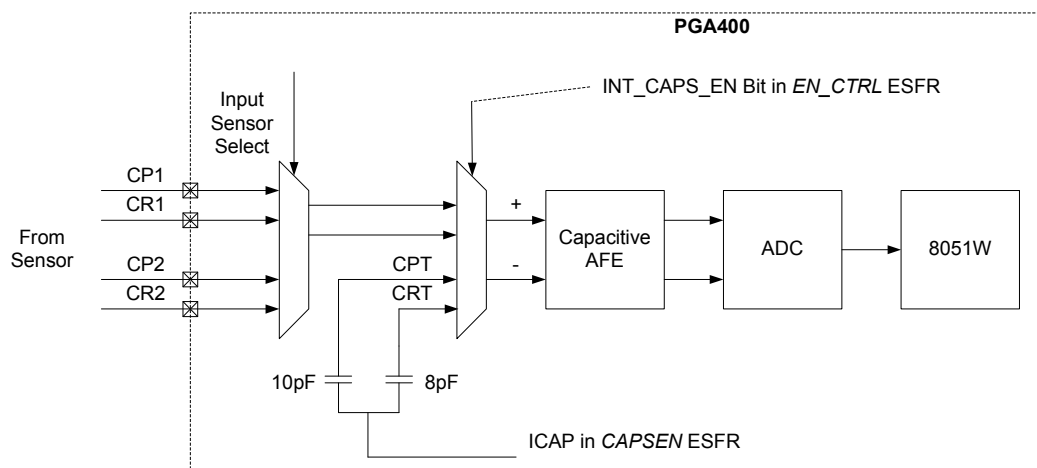


Figure 6-15. Internal Capacitors for Capacitive Sensor Diagnostics.

6.25.5 DAC Diagnostics

The device implements a “Loop Back” feature to check the integrity of the two DAC outputs. Figure Figure 6-16 shows the block diagram representation of the Loop Back feature. This figure shows that DAC1 output is connected to positive side of the differential input while DAC2 is connected to negative side of the differential input.

The DAC outputs are voltage divided by a nominal factor of 6/11 before being connected to the AFE inputs.

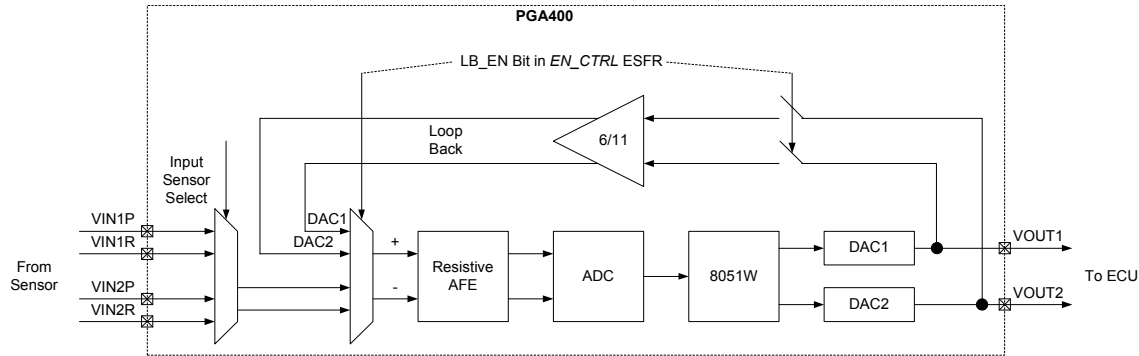


Figure 6-16. DAC Loop Back.

DAC loop back is enabled by setting LB_EN bit in EN_CTRL to 1. In this mode, Sensor 1 Channel gain and offset settings are used. Note that ADC output represents the voltage difference between DAC1 and DAC2 outputs scaled by the voltage divider and the AFE gains/offsets.

Note that when LB_EN is set to 1, the AFE is switched to resistive mode, even if SEN_TYP bit is set to Capacitive mode.

The DAC outputs continue to be available on VOUT1 and VOUT2 pins in the Loop Back mode.

6.25.6 EEPROM CRC and TRIM Error

The 9th Byte in Bank 5 of the EEPROM stores the CRC for all the data in EEPROM Banks 1 through 5.

The user can verify the EEPROM CRC at any time by loading Banks 1 through 5 in sequence into the EEPROM Cache. When Bank 5 is loaded into the Cache, the device automatically calculates the CRC and updates the CRC_ERR bit in EE_STATUS ESFR.

The device also has analog trim values. The validity of the analog trim values is checked on power up and before the 8051W reset is de-asserted. The validity of the trim values can be inferred using the TRIM_ERR bit in EE_STATUS ESFR.

Note that Banks 0 can be updated by software in the field, but the user has to maintain CRC (or checksum) for this bank using software.

6.25.7 RAM MBIST

The device implements RAM MBIST (Memory Built-In Self-Test). This diagnostic checks the integrity of the internal RAM on an on-demand basis.

The procedure to start this diagnostic and check for status is as below:

- 1. Set EN_IRAM_MBIST to 1 in EN_CTRL2 register. This starts the RAM MBIST.
- 2. Wait for IRAM_MBIST_DONE in RAM_MBIST_ST to be set to 1 by the RAM MBIST algorithm
- 3. Check IRAM_MBIST_FAIL bit in RAM_MBIST_ST register after IRAM_MBIST_DONE flag is set to 1. If IRAM_MIBIST_FAIL is 1, then RAM MBIST failed, indicating faulty RAM. If IRAM_MBIST_FAIL is 0, then RAM has no faults.

The RAM MBIST can be run only once every power cycle.

NOTE

While the RAM MBIST is running, the 8051W should not access the RAM.

6.25.8 Main Oscillator Watchdog

There is watch dog monitor for the main oscillator clock whether using the internal 40MHz oscillator or the external crystal input. When the frequency is outside the range of 35-45MHz the entire device is reset. The main oscillator watchdog can be disabled using MAIN_OSC_WD_EN bit in the ENABLE CONTROL register.

6.25.9 Software Watchdog

The device also implements a software watchdog. This watchdog has to be serviced by software every 500ms. If the software does not service the watchdog within 500ms of the last service, then the 8051W core is reset. The software services the watchdog by toggling the state of an internal pin between the two blocks. The state of this pin cannot be read back to the 8051W. If this function is not desired the software watchdog can be disabled using CPU_WD_EN bit in the ENABLE CONTROL register.

When the software watchdog times out and resets the 8051W, DAC1 and DAC2 registers are reset to 0, which causes VOUT1 and VOUT2 to be driven to 0V. The remaining ESFRs retains the settings from prior to the reset events. This implies that CPU_WD_EN also remains set.

6.26 Low Power Mode

The device has multiple low power modes. In each mode, certain functional blocks can be turned on or off through the use of different ESFRs. [Table 6-6](#) lists which bits in each ESFR that disables certain blocks of the device.

Table 6-6. Low Power Control

CONTROL BIT	ESFR	CONTROL ACTION
VBRG_EN	SENCTRL	Enables/Disables VBRG supply
DAC2_EN	DECCTRL	Enables/Disables DAC2
AFE_EN	DECCTRL	Enables/Disable AFE
EN_DI_IF_CLK	EN_CTRL2	Enable/Disable Digital Interface
EN_EEPROM_CTRL_CLK	EN_CTRL2	Enable/Disable EEPROM clock

The following blocks does not enter low power mode at any time:

- Microprocessor – the microprocessor continues to operate at the same frequency
- OTP/EEPROM – The memory is kept alive and runs at the same speed VOUT1/OWI

7 PROGRAMMER MODEL

7.1 8051W Memory Map

The Memory block consists of SRAM, OTP, and EEPROM. The SRAM is used as storage for volatile software variables during program execution. The OTP consists of the program code and the EEPROM consists of calibrations.

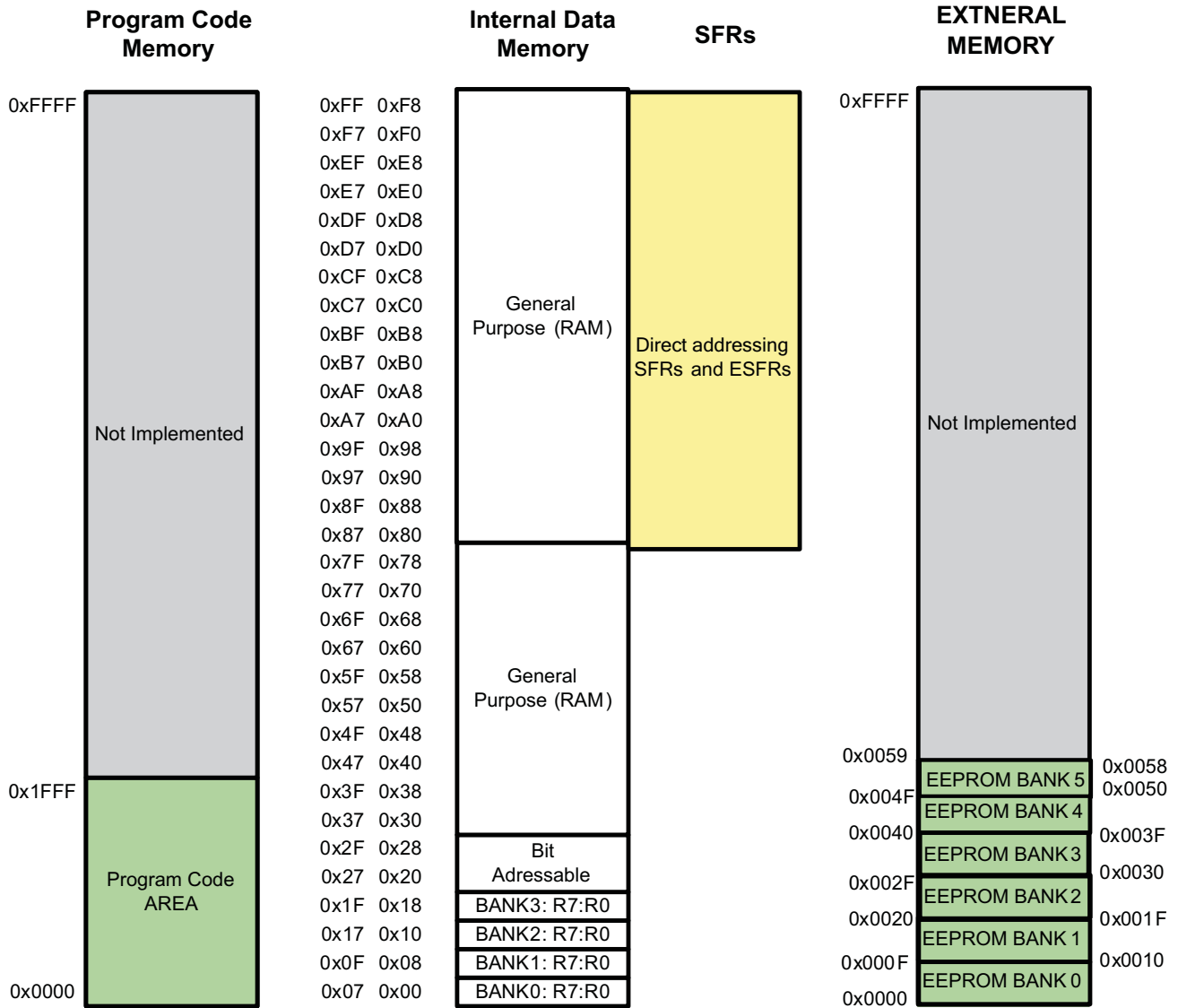


Figure 7-1. Memory Map

7.2 SFR

ADDRESS (hex)	D7	D6	D5	D4	D3	D2	D1	D0	R/W	POWER UP	DESCRIPTION (PROGRAMMABLE REGS)
80	P0<7>	P0<6>	P0<5>	P0<4>	P0<3>	P0<2>	P0<1>	P0<0>	R/W	0xFF	P0
81	SP<7>	SP<6>	SP<5>	SP<4>	SP<3>	SP<2>	SP<1>	SP<0>	R/W	0	SP
82	DPTR<7>	DPTR<6>	DPTR<5>	DPTR<4>	DPTR<3>	DPTR<2>	DPTR<1>	DPTR<0>	R/W	0	DPL
83	DPTR<15>	DPTR<14>	DPTR<13>	DPTR<12>	DPTR<11>	DPTR<10>	DPTR<9>	DPTR<8>	R/W	0	DPH
87	SMOD	-	-	-	GF1	GF0	PD	IDL	R/W	0	PCON
88	TF1	TR1	TF0	TR0	IE1	IT1	IE0	IT0	R/W	0	TCON
89	GATE1	CNT1	M1 (1)	M0 (1)	GATE0	CNT0	M1 (0)	M0 (0)	R/W	0	TMOD
8A	TL0<7>	TL0<6>	TL0<5>	TL0<4>	TL0<3>	TL0<2>	TL0<1>	TL0<0>	R/W	0	TL0
8B	TL1<7>	TL1<6>	TL1<5>	TL1<4>	TL1<3>	TL1<2>	TL1<1>	TL1<0>	R/W	0	TL1
8C	TH0<7>	TH0<6>	TH0<5>	TH0<4>	TH0<3>	TH0<2>	TH0<1>	TH0<0>	R/W	0	TH0
8D	TH1<7>	TH1<6>	TH1<5>	TH1<4>	TH1<3>	TH1<2>	TH1<1>	TH1<0>	R/W	0	TH1
90	P1<7>	P1<6>	P1<5>	P1<4>	P1<3>	P1<2>	P1<1>	P1<0>	R/W	0xFF	P1
98	SM0	SM1	SM2	REN	TB8	RB8	TI	RI	R/W	0	SCON
99	SBUF<7>	SBUF<6>	SBUF<5>	SBUF<4>	SBUF<3>	SBUF<2>	SBUF<1>	SBUF<0>	R/W	0	SBUF
A0	P2<7>	P2<6>	P2<5>	P2<4>	P2<3>	P2<2>	P2<1>	P2<0>	R/W	0xFF	P2
A8	EA	-	EI5	ES	ET1	EX1	ET0	EX0	R/W	0	IE0
B0	P3<7>	P3<6>	P3<5>	P3<4>	P3<3>	P3<2>	P3<1>	P3<0>	R/W	0	P3
B8	-	-	PI5	PS	PT1	PX1	PT0	PX0	R/W	0xFF	IP0
D0	CY	AC	F0	RS1	RS0	OV	F1	P	R/W	0	PSW
E0	ACC<7>	ACC<6>	ACC<5>	ACC<4>	ACC<3>	ACC<2>	ACC<1>	ACC<0>	R/W	0	ACC
E8	EI13	EI12	EI11	EI10	EI9	EI8	EI7	EI6	R/W	0	IE1
F0	B<7>	B<6>	B<5>	B<4>	B<3>	B<2>	B<1>	B<0>	R/W	0	B
F8	PI13	PI12	PI11	PI10	PI9	PI8	PI7	PI6	R/W	0	IP1

7.2.1 I/O PORTS(P0,P1,P2,P3)

P0, P1, P2 and P3 are latches used to drive the 32 quasi-bi-directional I/O lines. On reset they are all set to the value FF hex, which is input mode.

I/O PORTS(P0,P1,P2,P3)				Bit Addressable						
SFR:	0xB0		P3							
	BIT 7	BIT 6	BIT 5	BIT 4	BIT 3	BIT 2	BIT 1	BIT 0		
	P3<7>	P3<6>	P3<5>	P3<4>	P3<3>	P3<2>	P3<1>	P3<0>		
Access	r/w	r/w	r/w	r/w	r/w	r/w	w	R		
At Reset	1	1	1	1	1	1	1	1		

Some of the Port 3 have alternate function as shown below.

	BIT 7	BIT 6	BIT 5	BIT 4	BIT 3	BIT 2	BIT 1	BIT 0
	-	-	T1	T0	NINT1	NINT0	TXD	RXD
	-	-	input	input	input	input	output	Input
BIT1: TXD	output		Serial Transmit Data from UART and transmit clock in UART mode 0.					
BIT0: RXD	input		Serial Receive Data to UART					
SFR:	0xA0		P2					
	BIT 7	BIT 6	BIT 5	BIT 4	BIT 3	BIT 2	BIT 1	BIT 0
	P2<7>	P2<6>	P2<5>	P2<4>	P2<3>	P2<2>	P2<1>	P2<0>
Access	r/w	r/w	r/w	r/w	r/w	r/w	r/w	r/w
At Reset	1	1	1	1	1	1	1	1
SFR:	0x90		P1					
	BIT 7	BIT 6	BIT 5	BIT 4	BIT 3	BIT 2	BIT 1	BIT 0
	P1<7>	P1<6>	P1<5>	P1<4>	P1<3>	P1<2>	P1<1>	P1<0>
Access	r/w	r/w	r/w	r/w	r/w	r/w	r/w	r/w
At Reset	1	1	1	1	1	1	1	1
SFR:	0x80		P0					
	BIT 7	BIT 6	BIT 5	BIT 4	BIT 3	BIT 2	BIT 1	BIT 0
	P0<7>	P0<6>	P0<5>	P0<4>	P0<3>	P0<2>	P0<1>	P0<0>
Access	r/w	r/w	r/w	r/w	r/w	r/w	r/w	r/w
At Reset	1	1	1	1	1	1	1	1

7.2.2 Stack Pointer (SP)

The SP register contains the Stack Pointer. The Stack Pointer is used to load the program counter into Internal Data Memory during LCALL and ACALL instructions and is used to retrieve the program counter from memory during RET and RETI instructions. Data may also be saved on or retrieved from the stack using PUSH and POP instructions. Instructions that use the stack automatically pre-increment or post-decrement the stack pointer so that the stack pointer always points to the last byte written to the stack, i.e. the top of the stack. On reset the Stack Pointer is set to 07 hex. It falls to the programmer to ensure that the location of the stack in Internal Data Memory does not interfere with other data stored therein.

Another use of the Scratchpad area is for the programmer's stack. This area is selected using the Stack Pointer (SP, SFR 81h). Whenever a call or interrupt is invoked, the return address is placed on the Stack. It also is available to the programmer for variables, etc., since the Stack can be moved and there is no fixed location within the RAM designated as Stack. The Stack Pointer defaults to 07h on reset and the user can then move it as needed. The SP will point to the last used value. Therefore, the next value placed on the Stack is put at SP + 1. Each PUSH or CALL increments the SP by the appropriate value and each POP or RET decrements it.

Stack Pointer (SP)				Not Bit Addressable				
SFR:	0x81			SP				
	BIT 7	BIT 6	BIT 5	BIT 4	BIT 3	BIT 2	BIT 1	BIT 0
	SP<7>	SP<6>	SP<5>	SP<4>	SP<3>	SP<2>	SP<1>	SP<0>
Access	r/w	r/w	r/w	r/w	r/w	r/w	r/w	r/w
At Reset	0	0	0	0	0	1	1	1

7.2.3 Data Pointer (DPTR)

The Data Pointer (DPTR) is a 16-bit register that may be accessed via the two SFR locations, Data Pointer High byte (DPH) and Data Pointer Low byte (DPL). Two true 16-bit operations are allowed on the Data Pointer - load immediate and increment. The Data Pointer is used to form 16-bit addresses for External Data Memory accesses (MOVX), for program byte moves (MOVC) and for indirect program jumps (JMP @A+DPTR). On reset the Data Pointer is set to 0000 hex.

Data Pointer (DPTR)				Not Bit Addressable				
SFR:	0x82			DPL				
	BIT 7	BIT 6	BIT 5	BIT 4	BIT 3	BIT 2	BIT 1	BIT 0
	DPTR<7>	DPTR<6>	DPTR<5>	DPTR<4>	DPTR<3>	DPTR<2>	DPTR<1>	DPTR<0>
Access	r/w	r/w	r/w	r/w	r/w	r/w	r/w	r/w
At Reset	0	0	0	0	0	0	0	0

SFR:	0x83			DPH				
	BIT 7	BIT 6	BIT 5	BIT 4	BIT 3	BIT 2	BIT 1	BIT 0
	DPTR<15>	DPTR<14>	DPTR<13>	DPTR<12>	DPTR<11>	DPTR<10>	DPTR<9>	DPTR<8>
Access	r/w	r/w	r/w	r/w	r/w	r/w	r/w	r/w
At Reset	0	0	0	0	0	0	0	0

7.2.4 Power Control Register (PCON)

Power Control Register (PCON)				Not Bit Addressable				
SFR:	0x87			PCON				
	BIT 7	BIT 6	BIT 5	BIT 4	BIT 3	BIT 2	BIT 1	BIT 0
	SMOD	-	-	-	GF1	GF0	PD	IDL
Access	r/w	r	r	r	r/w	r/w	r/w	r/w
At Reset	0	0	0	0	0	0	0	0

The bit definitions for this register are as follows.

BIT7: SMOD	Double baud rate bit. For use, see the Serial Interface section below.
BIT3: GF1	General purpose flag bit.
BIT2: GF0	General purpose flag bit.
BIT1: PD	Power-Down bit. If 1, Power-Down mode is entered.
BIT0: IDL	Idle bit. If "1", Idle mode is entered.

7.2.5 Timer/Counter Control (TCON)

Two 16-bit timer/counters are provided. TCON and TMOD are used to set the mode of operation and to control the running and interrupt generation of the timer/counters. The timer/counter values are stored in two pairs of 8-bit registers (TL0, TH0, and TL1, TH1).

Timer/Counter Register (TCON)				Bit Addressable				
SFR:	0x88		TCON					
	BIT 7	BIT 6	BIT 5	BIT 4	BIT 3	BIT 2	BIT 1	BIT 0
	TF1	TR1	TF0	TR0	IE1	IT1	IE0	IT0
Access	r/w	r/w	r/w	r/w	r/w	r/w	r/w	r/w
At Reset	0	0	0	0	0	0	0	0
The bit definitions for this register are as follows.								
Timer1	BIT7: TF1	Timer 1 overflow flag. Set by hardware when Timer/Counter 1 overflows. Cleared by hardware when the processor calls the interrupt service routine.						
Timer1	BIT6: TR1	Timer 1 run control. If "1", timer runs; if "0", timer is halted.						
Timer0	BIT5: TF0	Timer 0 overflow flag. Set by hardware when Timer/Counter 0 overflows. Cleared by hardware when the processor calls the interrupt service routine.						
Timer0	BIT4: TR0	Timer 0 run control. If "1", timer runs; if "0", timer is halted.						
External Interrupt1	BIT3: IE1	External Interrupt 1 edge flag. Set by hardware when an External Interrupt 1 edge is detected.						
External Interrupt1	BIT2: IT1	External Interrupt 1 control bit. If "1", External Interrupt 1 is "edge-triggered"; if "0", External Interrupt 1 is "level triggered"						
External Interrupt0	BIT1: IE0	External Interrupt 0 edge flag. Set by hardware when an External Interrupt 0 edge is detected.						
External Interrupt0	BIT0: IT0	External Interrupt 1 control bit. If "1", External Interrupt 1 is "edge-triggered"; if "0", External Interrupt 1 is "level triggered"						

7.2.6 Timer/Counter Mode (TMOD)

Timer/Counter Mode (TMOD)				Not Bit Addressable				
SFR:	0x89		TCON					
	BIT 7	BIT 6	BIT 5	BIT 4	BIT 3	BIT 2	BIT 1	BIT 0
	GATE1	CNT1	M1 (1)	M0 (1)	GATE0	CNT0	M1 (0)	M0 (0)
Access	r/w	r/w	r/w	r/w	r/w	r/w	r/w	r/w
At Reset	0	0	0	0	0	0	0	0
The bit definitions for this register are as follows.								
Timer1	BIT7: GATE1	Timer 1 gate flag. When TCON.6 is set and GATE1= 1, Timer/Counter 1 will only run if NINT1 pin is 1 (hardware control). When GATE1= 0, Timer/Counter 1 will only run if TCON.6 = 1 (software control).						
Timer1	BIT6: CNT1	Timer/Counter 1 selector. If 0, input is from internal system clock; if "1", input is from T1 pin.						
Timer1	BIT5: M1(1)	Timer 1 Mode control bit M1.						
Timer1	BIT4: M0(1)	Timer 1 Mode control bit M0.						
Timer0	BIT3: GATE0	Timer 0 gate flag. When TCON.4 is set and GATE0= 1, Timer/Counter 0 will only run if NINT0 pin is 1 (hardware control). When GATE0 = 0, Timer/Counter 0 will only run if TCON.4 = 1 (software control).						
Timer0	BIT2: CNT0	Timer/Counter 0 selector. If 0, input is from internal system clock; if "1", input is from T0 pin.						
Timer0	BIT1: M1(0)	Timer 0 Mode control bit M1.						
Timer0	BIT0: M0(0)	Timer 0 Mode control bit M0.						
For both timer/counters, the mode bits M0 and M1 apply as follows:								
M1	M0	Operating Mode						
0	0	13-bit timer/counter (M8048 compatible mode).						
0	1	16-bit timer/counter.						
1	0	8-bit auto-reload timer/counter.						

1	1	Timer 0 is split into two halves. TL0 is an 8-bit timer/counter controlled by the standard Timer 0 control bits. TH0 is an 8-bit timer/counter controlled by the standard Timer 1 control bits. TH1 and TL1 are held (Timer 1 is stopped).
---	---	--

7.2.7 Timer/Counter Data (TL0 TL1 TH0 TH1)

TL0 and TH0 are the low and high bytes of Timer/Counter 0 respectively. TL1 and TH1 are the low and high bytes of Timer/Counter 1 respectively. In Mode 2, the TL register is an 8-bit counter and TH stores the reload value. On reset all timer/counter registers are 00 hex.

Timer/Counter Data (TL0 TL1 TH0 TH1)				Not Bit Addressable					
SFR:	0x8A	TL0							
		BIT 7	BIT 6	BIT 5	BIT 4	BIT 3	BIT 2	BIT 1	BIT 0
		TL0<7>	TL0<6>	TL0<5>	TL0<4>	TL0<3>	TL0<2>	TL0<1>	TL0<0>
Access		r/w	r/w	r/w	r/w	r/w	r/w	r/w	r/w
At Reset		0	0	0	0	0	0	0	0
SFR:	0x8B	TL1							
		BIT 7	BIT 6	BIT 5	BIT 4	BIT 3	BIT 2	BIT 1	BIT 0
		TL1<7>	TL1<6>	TL1<5>	TL1<4>	TL1<3>	TL1<2>	TL1<1>	TL1<0>
Access		r/w	r/w	r/w	r/w	r/w	r/w	r/w	r/w
At Reset		0	0	0	0	0	0	0	0
SFR:	0x8C	TH0							
		BIT 7	BIT 6	BIT 5	BIT 4	BIT 3	BIT 2	BIT 1	BIT 0
		TH0<7>	TH0<6>	TH0<5>	TH0<4>	TH0<3>	TH0<2>	TH0<1>	TH0<0>
Access		r/w	r/w	r/w	r/w	r/w	r/w	r/w	r/w
At Reset		0	0	0	0	0	0	0	0
SFR:	0x8D	TH1							
		BIT 7	BIT 6	BIT 5	BIT 4	BIT 3	BIT 2	BIT 1	BIT 0
		TH1<7>	TH1<6>	TH1<5>	TH1<4>	TH1<3>	TH1<2>	TH1<1>	TH1<0>
Access		r/w	r/w	r/w	r/w	r/w	r/w	r/w	r/w
At Reset		0	0	0	0	0	0	0	0

The timer clock resolution is 5MHz.

7.2.8 UART Control (SCON)

The UART uses two SFRs, SCON and SBUF. SCON is the control register, SBUF the data register. Data is written to SBUF for transmission and SBUF is read to obtain received data. The received data and transmitted data registers are independent.

UART Control (SCON)				Bit Addressable					
SFR:	0x98	SCON							
		BIT 7	BIT 6	BIT 5	BIT 4	BIT 3	BIT 2	BIT 1	BIT 0
		SM0	SM1	SM2	REN	TB8	RB8	TI	RI
Access		r/w	r/w	r/w	r/w	r/w	r/w	r/w	r/w
At Reset		0	0	0	0	0	0	0	0

The bit definitions for this register are as follows.

BIT7: SM0	UART mode specifier.
BIT6: SM1	UART mode specifier.
BIT5: SM2	UART mode specifier.
BIT4: REN	If "1", enables reception; if "0", disables reception.
BIT3: TB8	In Modes 2 and 3, this is the 9th data bit sent.
BIT2: RB8	In Modes 2 and 3, this is the 9th data bit received. In Mode 1, if SM2 = 0, this is the stop bit received. In Mode 0, this bit is not used.

BIT1: TI	Transmit interrupt flag. This is set by hardware at the end of the 8th bit in Mode 0, or at the beginning of the stop bit in other modes. Must be cleared by software.
BIT0: RI	Receive interrupt flag. This is set by hardware at the end of the 8th bit in Mode 0, or at the half point of the stop bit in other modes. Must be cleared by software.

The mode control bits operate as follows.

Mode	SM0	SM1	Operating Mode	Baud Rate
Mode 0	0	0	Mode 0: 8 bit shift register. $ftimer_clk / 2$	Baud Rate = $ftimer_clk / 2$
Mode 1	0	1	Mode 1: 8 bit UART.	Baud Rate = $(SMOD+1) * ftimer_clk / (32 * (256 - TH1))$
Mode 2	1	0	Mode 2: 9 bit UART.	Baud Rate = $(SMOD+1) * ftimer_clk / 64$
Mode 3	1	1	Mode 3: 9 bit UART.	Baud Rate = $(SMOD+1) * ftimer_clk / (32 * (256 - TH1))$

where $ftimer_clk$ is the frequency of the `TIMER_CLK` input (5MHz).

SM2 enables multi-processor communication over a single serial line and modifies the above as follows. In Modes 2 & 3, if SM2 is set then the receive interrupt will not be generated if the received 9th data bit is 0. In Mode 1, the receive interrupt will not be generated unless a valid stop bit is received. In Mode 0, SM2 should be 0.

7.2.9 UART Data (SBUF)

This register is used for both transmit and receive data. Transmit data is written to this location and receive data is read from this location, but the two paths are independent.

UART Data (SBUF)			Not Bit Addressable					
SFR:	0x99	SBUF						
	BIT 7	BIT 6	BIT 5	BIT 4	BIT 3	BIT 2	BIT 1	BIT 0
	SBUF<7>	SBUF<6>	SBUF<5>	SBUF<4>	SBUF<3>	SBUF<2>	SBUF<1>	SBUF<0>
Access	r/w	r/w	r/w	r/w	r/w	r/w	r/w	r/w
At Reset	0	0	0	0	0	0	0	0

7.2.10 Interrupt Enable Register 0 (IE)

Interrupt Enable Register 0 (IE)			Bit Addressable					
SFR:	0xA8	IE						
	BIT 7	BIT 6	BIT 5	BIT 4	BIT 3	BIT 2	BIT 1	BIT 0
	EA	-	EI5	ES	ET1	EX1	ET0	EX0
Access	r/w	r	r/w	r/w	r/w	r/w	r/w	r/w
At Reset	0	0	0	0	0	0	0	0

For each bit in this register, a 1 enables the corresponding interrupt and a 0 disables it.

BIT7: EA	Enable or disable all interrupt bits.
BIT5: EI5	Enable External Interrupt 5.
BIT4: ES	Enable Serial Port interrupt.
BIT3: ET1	Enable Timer 1 overflow interrupt.
BIT2: EX1	Enable External Interrupt 1.
BIT1: ET0	Enable Timer 0 overflow interrupt.
BIT0: EX0	Enable External Interrupt 0.

7.2.11 Interrupt Enable Register 1 (IE1)

Interrupt Enable Register 1 (IE1)				Bit Addressable				
SFR:	0xE8		IE1					
	BIT 7	BIT 6	BIT 5	BIT 4	BIT 3	BIT 2	BIT 1	BIT 0
	EI13	EI12	EI11	EI10	EI9	EI8	EI7	EI6
Access	r/w	r/w	r/w	r/w	r/w	r/w	r/w	r/w
At Reset	0	0	0	0	0	0	0	0

For each bit in this register, a 1 enables the corresponding interrupt and a 0 disables it.

BIT7: EI13	Enable External Interrupt 13.
BIT6: EI12	Enable External Interrupt 12.
BIT5: EI11	Enable External Interrupt 11.
BIT4: EI10	Enable External Interrupt 10.
BIT3: EI9	Enable External Interrupt 9.
BIT2: EI8	Enable External Interrupt 8.
BIT1: EI7	Enable External Interrupt 7.
BIT0: EI6	Enable External Interrupt 6.

7.2.12 Interrupt Priority Register 0 (IP0)

Interrupt Priority Register 0 (IP0)				Bit Addressable				
SFR:	0xB8		IP					
	BIT 7	BIT 6	BIT 5	BIT 4	BIT 3	BIT 2	BIT 1	BIT 0
	-	-	PI5	PS	PT1	PX1	PT0	PX0
Access	r	r	r/w	r/w	r/w	r/w	r/w	r/w
At Reset	0	0	0	0	0	0	0	0

For each bit in this register, a 1 selects high priority for the corresponding interrupt and a 0 selects low priority. The allocation of interrupts to bits is as follows.

BIT5: PI5	Select priority for External Interrupt 5.
BIT4: PS	Select priority for Serial Port interrupt.
BIT3: PT1	Select priority for Timer 1 overflow interrupt.
BIT2: PX1	Select priority for External Interrupt 1.
BIT1: PT0	Select priority for Timer 0 overflow interrupt.
BIT0: PX0	Select priority for External Interrupt 0.

While an interrupt is being serviced, it may only be interrupted by a higher priority interrupt.

7.2.13 Interrupt Priority Register 1 (IP1)

Interrupt Priority Register 1 (IP1)				Bit Addressable				
SFR:	0xF8		IP1					
	BIT 7	BIT 6	BIT 5	BIT 4	BIT 3	BIT 2	BIT 1	BIT 0
	PI13	PI12	PI11	PI10	PI9	PI8	PI7	PI6
Access	r/w	r/w	r/w	r/w	r/w	r/w	r/w	r/w
At Reset	0	0	0	0	0	0	0	0

For each bit in this register, a 1 selects high priority for the corresponding interrupt and a 0 selects low priority. The allocation of interrupts to bits is as follows. For each bit in this register, a 1 enables the corresponding interrupt and a 0 disables it.

BIT7: PI13	Select priority for External Interrupt 13.
BIT6: PI12	Select priority for External Interrupt 12.
BIT5: PI11	Select priority for External Interrupt 11.
BIT4: PI10	Select priority for External Interrupt 10.
BIT3: PI9	Select priority for External Interrupt 9.
BIT2: PI8	Select priority for External Interrupt 8.
BIT1: PI7	Select priority for External Interrupt 7.
BIT0: PI6	Select priority for External Interrupt 6.

While an interrupt is being serviced, it may only be interrupted by a higher priority interrupt.

7.2.14 Program Status Word (PSW)

Program Status Word (PSW)				Bit Addressable				
SFR:	0xD0		PSW					
	BIT 7	BIT 6	BIT 5	BIT 4	BIT 3	BIT 2	BIT 1	BIT 0
	CY	AC	F0	RS1	RS0	OV	F1	P
Access	r/w	r/w	r/w	r/w	r/w	r/w	r/w	r/w
At Reset	0	0	0	0	0	0	0	0

This register contains status information resulting from CPU and ALU operation. The bit definitions are given below:

BIT7: CY	ALU carry flag.
BIT6: AC	ALU auxiliary carry flag.
BIT5: F0	General purpose user-definable flag.
BIT4: RS1	Register Bank Select bit 1.
BIT3: RS0	Register Bank Select bit 0.
BIT2: OV	ALU overflow flag.
BIT1: F1	User-definable flag.
BIT0: P	Parity flag. Set each instruction cycle to indicate odd/even parity in the accumulator.

The Register Bank Select bits operate as follows.

RS1	RS0	Register Bank Select
0	0	RB0: Registers from 00 - 07 hex.
0	1	RB1: Registers from 08 - 0F hex.
1	0	RB2: Registers from 10 - 17 hex.
1	1	RB3: Registers from 18 - 1F hex.

7.2.15 Accumulator (ACC)

This register provides one of the operands for most ALU operations. It is denoted as "A" in the instruction table.

Accumulator (ACC)				Bit Addressable				
SFR:	0xE0	ACC						
	BIT 7	BIT 6	BIT 5	BIT 4	BIT 3	BIT 2	BIT 1	BIT 0
	ACC<7>	ACC<6>	ACC<5>	ACC<4>	ACC<3>	ACC<2>	ACC<1>	ACC<0>
Access	r/w	r/w	r/w	r/w	r/w	r/w	r/w	r/w
At Reset	0	0	0	0	0	0	0	0

7.2.16 Register (B)

This register provides the second operand for multiply or divide instructions. Otherwise, it may be used as a scratch pad register.

B Register (B)				Bit Addressable				
SFR:	0xF0	B						
	BIT 7	BIT 6	BIT 5	BIT 4	BIT 3	BIT 2	BIT 1	BIT 0
	B<7>	B<6>	B<5>	B<4>	B<3>	B<2>	B<1>	B<0>
Access	r/w	r/w	r/w	r/w	r/w	r/w	r/w	r/w
At Reset	0	0	0	0	0	0	0	0

7.3 ESFR

The ESFRs are External Special Function Registers that are external to the 8051W core and are specific to PGA400-Q1.

ADDRESS (hex)	D7	D6	D5	D4	D3	D2	D1	D0	R/W	POWER UP	DESCRIPTION (PROGRAMMABLE REGS)
91	PSMON[7]	PSMON[6]	PSMON[5]	PSMON[4]	PSMON[3]	PSMON[2]	PSMON[1]	PSMON[0]	R/W	0x00	PSMON1
92	PSMON[15]	PSMON[14]	PSMON[13]	PSMON[12]	PSMON[11]	PSMON[10]	PSMON[9]	PSMON[8]	R/W	0x00	PSMON2
93	AFEDIAG[7]	AFEDIAG[6]	AFEDIAG[5]	AFEDIAG[4]	AFEDIAG[3]	AFEDIAG[2]	AFEDIAG[1]	AFEDIAG[0]	R/W	0x00	AFEDIAG
94	-	-	-	-	-	-	-	CPU_WD_RES ET	R/W	0x0	CLKDIAG
A1	S1_G1[2]	S1_G1[1]	S1_G1[0]	S1_G2[4]	S1_G2[3]	S1_G2[2]	S1_G2[1]	S1_G2[0]	R/W	0x0	SEN1GAIN
A2	S2_G1[2]	S2_G1[1]	S2_G1[0]	S2_G1[4]	S2_G1[3]	S2_G1[2]	S2_G1[1]	S2_G1[0]	R/W	0x00	SEN2GAIN
A3	S1_OS [7]	S1_OS [6]	S1_OS [5]	S1_OS [4]	S1_OS [3]	S1_OS [2]	S1_OS [1]	S1_OS [0]	R/W	0x00	SEN1OFF1
A4	S1_OS[9]	S1_OS[8]	S1_OS[5]	S1_OS[4]	S1_OS[3]	S1_OS[2]	S1_OS[1]	S1_OS[0]	R/W	0x00	SEN1OFF2
A5	S2_OS [7]	S2_OS [6]	S2_OS [5]	S2_OS [4]	S2_OS [3]	S2_OS [2]	S2_OS [1]	S2_OS [0]	R/W	0x00	SEN2OFF1
A6	S2_OS[9]	S2_OS[8]	S2_OS[5]	S2_OS[4]	S2_OS[3]	S2_OS[2]	S2_OS[1]	S2_OS[0]	R/W	0x00	SEN2OFF2
A7	SEN_TYP	CI[2]	CI[1]	CI[0]	CV[1]	CV[0]	CR[1]	CR[0]	R/W	0x00	CAPSEN
A9	SEN_CHNL	S1_INV	S2_INV	ADC_BUF	TEMP_SEN	XTAL_EN	VBRG_EN	-	R/W	0x00	SENCTRL
AA	ST_TX	-	ST_GPO5	ST_GPO4	ST_GPO3	ST_GPO2	ST_GPO1	-	R/W	0x00	GPIO_STRG
AB	CLKCNT[7]	CLKCNT[6]	CLKCNT[5]	CLKCNT[4]	CLKCNT[3]	CLKCNT[2]	CLKCNT[1]	CLKCNT[0]	R/W	0x00	CTOV_VLK_CN T
B1	ADC[15]	ADC[14]	ADC[13]	ADC[12]	ADC[11]	ADC[10]	ADC[9]	ADC[8]	R/W	0x00	ADCMSB
B2	ADC[7]	ADC[6]	ADC[5]	ADC[4]	ADC[3]	ADC[2]	ADC[1]	ADC[0]	R/W	0x00	SDCLSB
B3	-	-	-	-	-	LD_SADC1	LD_SADC2	LD_TADC	R/W	0x00	LD_DEC
B7	-	-	-	DAC1[11]	DAC1[10]	DAC1[9]	DAC1[8]	PX0	R/W	0x00	DAC1MSB
B9	DAC1[7]	DAC1[6]	DAC1[5]	DAC1[4]	DAC1[3]	DAC1[2]	DAC1[1]	DAC1[0]	R/W	0x00	DAC1LSB
BA	-	-	-	-	DAC2[11]	DAC2[10]	DAC2[9]	DAC2[8]	R/W	0x00	DAC2MSB
BB	DAC2[7]	DAC2[6]	DAC2[5]	DAC2[4]	DAC2[3]	DAC2[2]	DAC2[1]	DAC2[0]	R/W	0x00	DAC2LSB
BC	-	-	DAC2_EN	AFE_EN	-	-	OSR[1]	OSR[0]	R/W	0x00	DECCTRL
C0	-	-	IC_OC_TIM_LA T	OC2_LVL	OC1_LVL	IC2_EDGE	IC1_EDGE	10_20_MHZ	R/W	0x00	IC_OC_CTRL
C1	IC1[15]	IC1[14]	IC1[13]	IC1[12]	IC1[11]	IC1[10]	IC1[9]	IC1[8]	R/W	0x00	IC1MSB
C2	IC1[7]	IC1[6]	IC1[5]	IC1[4]	IC1[3]	IC1[2]	IC1[1]	IC1[0]	R/W	0x00	IC1LSB
C3	IC2[15]	IC2[14]	IC2[13]	IC2[12]	IC2[11]	IC2[10]	IC2[9]	IC2[8]	R/W	0x00	IC2MSB
C4	IC2[7]	IC2[6]	IC2[5]	IC2[4]	IC2[3]	IC2[2]	IC2[1]	IC2[0]	R/W	0x00	IC2LSB
C5	OC1[15]	OC1[14]	OC1[13]	OC1[12]	OC1[11]	OC1[10]	OC1[9]	OC1[8]	R/W	0x00	OC1MSB
C6	OC1[7]	OC1[6]	OC1[5]	OC1[4]	OC1[3]	OC1[2]	OC1[1]	OC1[0]	R/W	0x00	OC1LSB
C7	-	-	-	-	OC2_ACT	OC1_ACT	IC2_ACT	IC1_ACT	R/W	0x00	IC_OC_GPIO
C9	OC2[15]	OC2[14]	OC2[13]	OC2[12]	OC2[11]	OC2[10]	OC2[9]	OC2[8]	R/W	0x00	OC2MSB
CA	OC2[7]	OC2[6]	OC2[5]	OC2[4]	OC2[3]	OC2[2]	OC2[1]	OC2[0]	R/W	0x00	OC2LSB

ADDRESS (hex)	D7	D6	D5	D4	D3	D2	D1	D0	R/W	POWER UP	DESCRIPTION (PROGRAMMABLE REGS)
CB	FRT[15]	FRT[14]	FRT[13]	FRT[12]	FRT[11]	FRT[10]	FRT[9]	FRT[8]	R/W	0x00	FRTMSB
CC	FRT[7]	FRT[6]	FRT[5]	FRT[4]	FRT[3]	FRT[2]	FRT[1]	FRT[0]	R/W	0x00	FRTL5B
D3	COMBUF[7]	COMBUF[6]	COMBUF[5]	COMBUF[4]	COMBUF[3]	COMBUF[2]	COMBUF[1]	COMBUF[0]	R/W	0x00	COMBUF
D4	-	-	-	-	OWI_DEGLITCH_SEL	OWI_XCR_EN	DI_CTRL[1]	DI_CTRL[0]	R/W	0x00	DI_CTRL
D5	-	-	-	INT_CAPS_EN	LB_EN	CTOV_CLK_MON_EN	MAIN_OSC_WD_EN	CPU_WD_EN	R/W	0x00	EN_CTRL
D6						EN_IRAM_MBIST	EN_DI_IF_CLK	EN_EEPROM_CTRL_CLK	R/W	0x00	EN_CTRL2
D7	-	-	-	-	-	-	IRAM_MBIST_FAIL	IRAM_MBIST_DONE	R/W	0x00	RAM_MBIST_STATUS
E1	TRIM_ERR	CRC_ERR	EEPROG_GOOD	EE_READ_IN_PROG	EE_PROG_IN_PROG	EE_BNK[2]	EE_BNK[1]	EE_BNK[0]	R/W	0x00	EE_STATUS
E2	-	-	-	-	-	-	-	MICRO_EEPROM	R/W	0x00	EE_CTRL

7.3.1 PSMON Diagnostics Status (PSMON1, PSMON2)

PSMON STATUS (PSMON1, PSMON2)				Not Bit Addressable					
ESFR:	0x91		PSMON1						
	BIT 7	BIT 6	BIT 5	BIT 4	BIT 3	BIT 2	BIT 1	BIT 0	
	PSMON[7]	PSMON[6]	PSMON[5]	PSMON[4]	PSMON[3]	PSMON[2]	PSMON[1]	PSMON[0]	
Access	r	r	r	r	r	r	r	r	
At Reset	0	0	0	0	0	0	0	0	
ESFR:	0x92		PSMON2						
	BIT 7	BIT 6	BIT 5	BIT 4	BIT 3	BIT 2	BIT 1	BIT 0	
	PSMON[15]	PSMON[14]	PSMON[13]	PSMON[12]	PSMON[11]	PSMON[10]	PSMON[9]	PSMON[8]	
Access	r	r	r	r	r	r	r	r	
At Reset	0	0	0	0	0	0	0	0	
Bit Definitions									
PSMON2	BIT 0:PSMON[0]	1: AVDD Overvoltage							
	BIT 1:PSMON[1]	1: AVDD Undervoltage							
	BIT 2:PSMON[2]	-							
	BIT 3:PSMON[3]	-							
	BIT 4:PSMON[4]	1: VBRG Overvoltage							
	BIT 5:PSMON[5]	1: VBRG Undervoltage							
	BIT 6:PSMON[6]	-							
	BIT 7:PSMON[7]	-							
PSMON1	BIT 0:PSMON[8]	1: EEPROM Overvoltage							
	BIT 1:PSMON[9]	1: EEPROM Undervoltage							
	BIT 2:PSMON[10]	-							
	BIT 3:PSMON[11]	-							
	BIT 4:PSMON[12]	-							
	BIT 5:PSMON[13]	-							
	BIT 6:PSMON[14]	-							
	BIT 7:PSMON[15]	-							

7.3.2 AFE Diagnostics Status (AFEDIAG)

AFE STATUS (AFEDIAG)				Not Bit Addressable				
ESFR:	0x93		AFEDIAG					
	BIT 7	BIT 6	BIT 5	BIT 4	BIT 3	BIT 2	BIT 1	BIT 0
	AFEDIAG[7]	AFEDIAG[6]	AFEDIAG[5]	AFEDIAG[4]	AFEDIAG[3]	AFEDIAG[2]	AFEDIAG[1]	AFEDIAG[0]
Access		r	r	r	r	r	r	r
At	0	0	0	0	0	0	0	0
Bit Definitions								
PSMON2	BIT 0:AFEDIAG[0]		1: Res Sensor Open / Short to Supply/ Short to Gnd 0: Normal					
	BIT 1:AFEDIAG[1]		1: AFE Stage1 Output / C2V Output Over Range Flag 0: Normal					
	BIT 2:AFEDIAG[2]		1: AFE Stage2 Output Over Range Flag 0: Normal					
	BIT 3:AFEDIAG[3]		1: Normal 0: ADC Input Over Range Flag					
	BIT 4:AFEDIAG[4]		-					
	BIT 5:AFEDIAG[5]		-					
	BIT 6:AFEDIAG[6]		-					
	BIT 7:AFEDIAG[7]		1: Capacitive Sensor Clock High/Low flag (Sensor fault Detection) 0: Normal					

7.3.3 CPU Watchdog (CLKDIAG)

MICRO RESET (MICRORESET)				Not Bit Addressable				
ESFR:	0x94		MICRORESET					
	BIT 7	BIT 6	BIT 5	BIT 4	BIT 3	BIT 2	BIT 1	BIT 0
	-	-	-	-	-	-	-	CPU_WD_RESE T
Access		R	r	r	r	r	r	r
At	0	0	0	0	0	0	0	0
Reset								
Bit Definitions								
CLKDIAG	BIT 0:CPU_WD_RESET		1: Microprocessor is in reset 0: Microprocessor is not reset					
	BIT 1:		-					
	BIT 2:		-					
	BIT 3:		-					
	BIT 4:		-					
	BIT 5:		-					
	BIT 6:		-					
	BIT 7:							

7.3.4 Sensor 1 Gain Register (SEN1GAIN)

SEN1GAIN				Not Bit Addressable				
ESFR:	0xA1	SEN1GAIN						
	BIT 7	BIT 6	BIT 5	BIT 4	BIT 3	BIT 2	BIT 1	BIT 0
	S1_G1[2]	S1_G1[1]	S1_G1[0]	S1_G2[4]	S1_G2[3]	S1_G2[2]	S1_G2[1]	S1_G2[0]
Access	r/w	r/w	r/w	r/w	r/w	r/w	r/w	r/w
At Reset	0	0	0	0	0	0	0	0
Bit Definitions								
SENS1GAIN	BIT 0: S1_G2[0]	S1_G2[4:0]		Sensor 1 Stage 2 Gain (V/V)				
	BIT 1: S1_G2[1]	00000		1.00				
	BIT 2: S1_G2[2]	00001		1.10				
	BIT 3: S1_G2[3]	00010		1.22				
	BIT 4: S1_G2[4]	00011		1.35				
		00100		1.50				
		00101		1.67				
		00110		1.85				
		00111		2.05				
		01000		2.28				
		01001		2.53				
		01010		2.81				
		01011		3.11				
		01100		3.46				
		01101		3.86				
		01110		4.26				
		01111		4.76				
		10000		5.26				
		10001		5.86				
		10010		6.46				
		10011		7.16				
		10100		7.96				
		10101		8.86				
		10110		9.86				
		10111		10.96				
		11000		12.16				
		11001		13.46				
		11010		14.96				
		11011		16.56				
		11100		18.36				
		11101		20.46				
		11110		22.56				
		11111		25.06				
	BIT 5: S1_G1[0]	S1_G1[2:0]		Sensor 1 Stage 1 Gain (V/V)				
	BIT 6: S1_G1[1]	000		3.00				
	BIT 7: S1_G1[2]	001		4.43				
		010		6.80				
		011		10.20				
		100		14.57				
		101		25.50				

7.3.5 Sensor 2 Gain Register (SEN2GAIN)

SENS1GAIN			Not Bit Addressable					
ESFR:	0xA2	SEN2GAIN						
	BIT 7	BIT 6	BIT 5	BIT 4	BIT 3	BIT 2	BIT 1	BIT 0
	S2_G1[2]	S2_G1[1]	S2_G1[0]	S2_G1[4]	S2_G1[3]	S2_G1[2]	S2_G1[1]	S2_G1[0]
Access	r/w	r/w	r/w	r/w	r/w	r/w	r/w	r/w
At	0	0	0	0	0	0	0	0
Reset								
Bit Definitions								
SENS1GAIN	BIT 0: S2_G2[0]	S2_G2[4:0}		Sensor 2 Stage 2 Gain (V/V)				
	BIT 1: S2_G2[1]	00000		1.00				
	BIT 2: S2_G2[2]	00001		1.10				
	BIT 3: S2_G2[3]	00010		1.22				
	BIT 4: S2_G2[4]	00011		1.35				
		00100		1.50				
		00101		1.67				
		00110		1.85				
		00111		2.05				
		01000		2.28				
		01001		2.53				
		01010		2.81				
		01011		3.11				
		01100		3.46				
		01101		3.86				
		01110		4.26				
		01111		4.76				
		10000		5.26				
		10001		5.86				
		10010		6.46				
		10011		7.16				
		10100		7.96				
		10101		8.86				
		10110		9.86				
		10111		10.96				
		11000		12.16				
		11001		13.46				
		11010		14.96				
		11011		16.56				
		11100		18.36				
		11101		20.46				
		11110		22.56				
		11111		25.06				
	BIT 5: S2_G1[0]	S2_G1[2:0}		Sensor 2 Stage 1 Gain (V/V)				
	BIT 6: S2_G1[1]	000		3.00				
	BIT 7: S2_G1[2]	001		4.43				
		010		6.80				
		011		10.20				
		100		14.57				
		101		25.50				

7.3.6 Sensor 1 Offset Register (SEN1OFF1, SEN1OFF2)

SENSOR 1 OFFSET (SEN1OFF1, SEN1OFF2)				Not Bit Addressable				
ESFR:	0xA3	SEN1OFF1						
	BIT 7	BIT 6	BIT 5	BIT 4	BIT 3	BIT 2	BIT 1	BIT 0
	S1_OS [7]	S1_OS [6]	S1_OS [5]	S1_OS [4]	S1_OS [3]	S1_OS [2]	S1_OS [1]	S1_OS [0]
Access	r/w	r/w	r/w	r/w	r/w	r/w	r/w	r/w
At Reset	0	0	0	0	0	0	0	0
ESFR:	0xA4	SEN1OFF2						
	BIT 7	BIT 6	BIT 5	BIT 4	BIT 3	BIT 2	BIT 1	BIT 0
	S1_OS[9]	S1_OS[8]	S1_OS[5]	S1_OS[4]	S1_OS[3]	S1_OS[2]	S1_OS[1]	S1_OS[0]
Access	r/w	r/w	r/w	r/w	r/w	r/w	r/w	r/w
At Reset	1	0	1	0	0	0	0	0

Bit Definitions		
SEN1OFF1	BIT 0:S1_OS[0]	S1_OS: Sensor 1 Offset Compensation Setting
	BIT 1:S1_OS[1]	
	BIT 2:S1_OS[2]	
	BIT 3:S1_OS[3]	
	BIT 4:S1_OS[4]	
	BIT 5:S1_OS[5]	
	BIT 6:S1_OS[6]	
	BIT 7:S1_OS[7]	
SEN1OFF2	BIT 0:S1_TC[0]	S1_TC: Sensor 1 Offset TC Compensation Setting
	BIT 1:S1_TC[1]	
	BIT 2:S1_TC[2]	
	BIT 3:S1_TC[3]	
	BIT 4:S1_TC[4]	
	BIT 5:S1_TC[5]	
	BIT 6:S1_OS[8]	
	BIT 7:S1_OS[9]	

7.3.7 Sensor 2 Offset Register (SEN2OFF1, SEN2OFF2)

SENSOR 1 OFFSET (SEN1OFF1, SEN1OFF2)				Not Bit Addressable						
ESFR:	0xA5		SEN1OFF1							
	BIT 7	BIT 6	BIT 5	BIT 4	BIT 3	BIT 2	BIT 1	BIT 0		
	S2_OS [7]	S2_OS [6]	S2_OS [5]	S2_OS [4]	S2_OS [3]	S2_OS [2]	S2_OS [1]	S2_OS [0]		
Access	r/w	r/w	r/w	r/w	r/w	r/w	r/w	r/w		
At Reset	0	0	0	0	0	0	0	0		
ESFR:	0xA6		SEN1OFF2							
	BIT 7	BIT 6	BIT 5	BIT 4	BIT 3	BIT 2	BIT 1	BIT 0		
	S2_OS[9]	S2_OS[8]	S2_OS[5]	S2_OS[4]	S2_OS[3]	S2_OS[2]	S2_OS[1]	S2_OS[0]		
Access	r/w	r/w	r/w	r/w	r/w	r/w	r/w	r/w		
At Reset	1	0	1	0	0	0	0	0		
Bit Definitions										
SEN1OFF1	BIT 0:S2_OS[0]		S1_OS: Sensor 2 Offset Compensation Setting							
	BIT 1:S2_OS[1]									
	BIT 2:S2_OS[2]									
	BIT 3:S2_OS[3]									
	BIT 4:S2_OS[4]									
	BIT 5:S2_OS[5]									
	BIT 6:S2_OS[6]									
	BIT 7:S2_OS[7]									
SEN1OFF2	BIT 0:S2_TC[0]		S1_TC: Sensor 2 Offset TC Compensation Setting							
	BIT 1:S2_TC[1]									
	BIT 2:S2_TC[2]									
	BIT 3:S2_TC[3]									
	BIT 4:S2_TC[4]									
	BIT 5:S2_TC[5]									
	BIT 6:S2_OS[8]									
	BIT 7:S2_OS[9]									

7.3.8 Capacitive Sensor Settings Register (CAPSEN)

CAPACITIVE SENSOR REGISTER (CAPSEN)				Not Bit Addressable						
ESFR:	0xA7		CAPSEN							
	BIT 7	BIT 6	BIT 5	BIT 4	BIT 3	BIT 2	BIT 1	BIT 0		
	SEN_TYP	CI[2]	CI[1]	CI[0]	CV[1]	CV[0]	CR[1]	CR[0]		
Access	r/w	r/w	r/w	r/w	r/w	r/w	r/w	r/w		
At Reset	1	0	0	0	0	0	0	0		
Bit Definitions										
CAPSEN	BIT 0:CR[0]	CR[1]			CR[0]		Capacitive Sensor Transimpedance (KΩ)			
	BIT 1:CR[1]	0			0		78			
		0			1		156			
		1			0		312			
	1			1		625				
	BIT 2:CV[0]	CV[1]			CV[0]		Capacitive Sensor Drive Threshold Voltage (mV)			
	BIT 3:CV[1]	0			0		100			
		0			1		300			
		1			0		500			
	1			1		700				
	BIT 4:CI[0]	CI[2]		CI[1]	CI[0]	Capacitive Sensor Drive Current (μA)				
	BIT 5:CI[1]	0		0	0	5				
	BIT 6:CI[2]	0		0	1	7.5				
		0		1	0	10				
		0		1	1	12.5				
		1		0	0	15				
		1		0	1	17.5				
		1		1	0	20				
	1		1	1	22					
BIT 7:SEN_TYP	0: Capacitive Front End 1: Resistive Bridge Front End									

7.3.9 Sensor Control (SENCTRL)

SENSOR CONTROL (SENCTRL)				Not Bit Addressable						
ESFR:	0xA9		SENCTRL							
	BIT 7	BIT 6	BIT 5	BIT 4	BIT 3	BIT 2	BIT 1	BIT 0		
	SEN_CHNL	S1_INV	S2_INV	ADC_BUF	TEMP_SEN	XTAL_EN	VBRG_EN	–		
Access		r/w	r/w	r/w	r/w	r/w	r/w	r/w		
At	0	0	0	1	0	0	1	0		

Bit Definitions		
SENCTRL	BIT 0:	
	BIT 1: VBRG_EN	VBRG Enable 0: Disabled 1: Enabled
	BIT 2: XTAL_EN	0: Internal Oscillator 1: External Crystal
	BIT 3: TEMP_SEN	0: Internal Temperature Sensor 1: External Temperature Sensor
	BIT 4: ADC_BUF	0: ADC Buffer Output is not level-shifted 1: ADC Buffer Output is level-shifted
	BIT 5: S2_INV	S2 Sign Bit 1: S2 signal chain is inverted 0: S2 signal chain is not inverted
	BIT 6: S1_INV	S1 Sign Bit 1: S1 signal chain is inverted 0: S1 signal chain is not inverted
	BIT 7: SEN_CHNL	0: S1 Channel 1: S2 Channel

7.3.10 GPIO Strong Output Drive Mode (GPIO_STRG)

GPIO Strong Output Drive Mode (GPIO_STRG)				Not Bit Addressable					
ESFR:	0xAA	GPIO_STRG							
	BIT 7	BIT 6	BIT 5	BIT 4	BIT 3	BIT 2	BIT 1	BIT 0	
	ST_TX	-	ST_GPO5	ST_GPO4	ST_GPO3	ST_GPO2	ST_GPO1	-	
Access	r/w	r/w	r/w	r/w	r/w	r/w	r/w	r/w	
At Reset	0	0	0	0	0	0	0	0	
Bit Definitions									
SENCTRL	BIT 0:	-							
	BIT 1: ST_GPO1	0: Normal 8051W Mode 1: Strong Output Mode							
	BIT 2: ST_GPO2	0: Normal 8051W Mode 1: Strong Output Mode							
	BIT 3: ST_GPO3	0: Normal 8051W Mode 1: Strong Output Mode							
	BIT 4: ST_GPO4	0: Normal 8051W Mode 1: Strong Output Mode							
	BIT 5: ST_GPO5	0: Normal 8051W Mode 1: Strong Output Mode							
	BIT 6: -	-							
	BIT 6: ST_TX	0: Normal 8051W Mode 1: Strong Output Mode							

7.3.11 CTOV clock Count Register (CTOV_CLK_CNT)

CLOCK COUNT REGISTER (CTOV_CLK_CNT)				Not Bit Addressable				
ESFR:	0xAB		CTOV_CLK_CNT					
	BIT 7	BIT 6	BIT 5	BIT 4	BIT 3	BIT 2	BIT 1	BIT 0
	CLKCNT[7]	CLKCNT[6]	CLKCNT[5]	CLKCNT[4]	CLKCNT[3]	CLKCNT[2]	CLKCNT[1]	CLKCNT[0]
Access	r/w	r/w	r/w	r/w	r/w	r/w	r/w	r/w
At Reset	0	0	0	0	0	0	0	0

The clock count register has a resolution of 10MHz.

7.3.12 ADC Decimator Output (ADCMSB, ADCLSB)

ADC Decimator Output				Not Bit Addressable				
ESFR:	0xB1		ADCMSB					
	BIT 7	BIT 6	BIT 5	BIT 4	BIT 3	BIT 2	BIT 1	BIT 0
	ADC[15]	ADC[14]	ADC[13]	ADC[12]	ADC[11]	ADC[10]	ADC[9]	ADC[8]
Access	r	r	r	r	r	r	r	r
At Reset	0	0	0	0	0	0	0	0
ESFR:	0xB2		ADCLSB					
	BIT 7	BIT 6	BIT 5	BIT 4	BIT 3	BIT 2	BIT 1	BIT 0
	ADC[7]	ADC[6]	ADC[5]	ADC[4]	ADC[3]	ADC[2]	ADC[1]	ADC[0]
Access	r/w	r/w	r/w	r/w	r/w	r/w	r/w	r/w
At Reset	0	0	0	0	0	0	0	0

7.3.13 Load ADC Decimator Shadow Register (LD_DEC)

LOAD DECIMATOR SHADOW REGISTER (LD_DEC)				Not Bit Addressable				
ESFR:	0xB3		LD_DEC					
	BIT 7	BIT 6	BIT 5	BIT 4	BIT 3	BIT 2	BIT 1	BIT 0
	–	–	–	–	–	LD_SADC1	LD_SADC2	LD_TADC
Access	–	–	–	–	–	w	w	w
At Reset	0	0	0	0	0	0	0	0
Bit Definitions								
SENCTRL	BIT 0: LD_TADC		0: No Action 1: Load the output of the Temperature Decimator to ADC Decimator Output Register					
	BIT 1: LD_SADC2		0: No Action 1: Load the output of the Stage 2 Decimator to ADC Decimator Output Register					
	BIT 2: LD_SADC1		0: No Action 1: Load the output of the Stage 1 Decimator to ADC Decimator Output Register					
	BIT 3: –		–					
	BIT 4: –		–					
	BIT 5: –		–					
	BIT 6: –		–					
	BIT 7: –		–					

7.3.14 DAC 1 Register (DAC1MSB, DAC1LSB)

DAC1 Register (DAC1MSB, DAC1LSB)				Not Bit Addressable				
ESFR:	0xB7		DAC1MSB					
	BIT 7	BIT 6	BIT 5	BIT 4	BIT 3	BIT 2	BIT 1	BIT 0
	–	–	–	–	DAC1[11]	DAC1[10]	DAC1[9]	DAC1[8]
Access	r/w	r/w	r/w	r/w	r/w	r/w	w	R
At Reset	0	0	0	0	0	0	0	0
ESFR:	0xB9		DAC1LSB					
	BIT 7	BIT 6	BIT 5	BIT 4	BIT 3	BIT 2	BIT 1	BIT 0
	DAC1[7]	DAC1[6]	DAC1[5]	DAC1[4]	DAC1[3]	DAC1[2]	DAC1[1]	DAC1[0]
Access	r/w	r/w	r/w	r/w	r/w	r/w	w	R
At Reset	0	0	0	0	0	0	0	0

7.3.15 DAC 2 Register (DAC2MSB, DAC2LSB)

DAC2 (DAC2MSB, DAC2LSB)				Not Bit Addressable				
ESFR:	0xBA		DAC2MSB					
	BIT 7	BIT 6	BIT 5	BIT 4	BIT 3	BIT 2	BIT 1	BIT 0
	–	–	–	–	DAC2[11]	DAC2[10]	DAC2[9]	DAC2[8]
Access	r/w	r/w	r/w	r/w	r/w	r/w	w	r/w
At Reset	0	0	0	0	0	0	0	0
ESFR:	0xBB		DAC2LSB					
	BIT 7	BIT 6	BIT 5	BIT 4	BIT 3	BIT 2	BIT 1	BIT 0
	DAC2[7]	DAC2[6]	DAC2[5]	DAC2[4]	DAC2[3]	DAC2[2]	DAC2[1]	DAC2[0]
Access	r/w	r/w	r/w	r/w	r/w	r/w	r/w	r/w
At Reset	0	0	0	0	0	0	0	0

7.3.16 Decimator and Low Power Control Register (DECCTRL)

DECIMATOR CONTROL (DECCTRL)				Not Bit Addressable				
ESFR:	0xBC		DECCTRL					
	BIT 7	BIT 6	BIT 5	BIT 4	BIT 3	BIT 2	BIT 1	BIT 0
	DIS_R1M	DIS_R2M	DAC2_EN	AFE_EN	–	–	OSR[1]	OSR[0]
Access	r	r	r/w	r/w	r	r	r/w	r/w
At	0	0	1	1	0	0	0	0

Bit Definitions		
DECCTRL	BIT 0:OSR[0]	2nd Stage Decimator OSR Control
	BIT 1:OSR[1]	00: 2 01: 4 10: 8 11:: N/A
	BIT 2: -	–
	BIT 3: -	–
	BIT 4:AFE_EN	0: AFE is disabled 1: AFE is enabled
	BIT 5:-DAC2_EN	0: DAC2 is disabled 1: DAC2 is enabled
	BIT 6:-	–
	BIT 7:-	–

7.3.17 Input Capture/Output Compare Control Register (IC_OC_CTRL)

IC_OC_CTRL				Not Bit Addressable					
ESFR:	0xC0	IC_OC_CTRL							
	BIT 7	BIT 6	BIT 5	BIT 4	BIT 3	BIT 2	BIT 1	BIT 0	
	–	–	IC_OC_TIM_LAT	OC2_LVL	OC1_LVL	IC2_EDGE	IC1_EDGE	10_20_MHZ	
Access	r/w	r/w	r/w	r/w	r/w	r/w	r/w	r/w	
At	0	0	0	0	0	0	0	0	
Bit Definitions									
BIT 0:10_20_MHZ	0: Free Running Timer Resolution is 20MHz 1: Free Running Timer Resolution is 10MHz								
BIT 1:IC1_EDGE	0: Capture Falling Edge on Input Capture 1 1: Capture Rising Edge on Input Capture 1								
BIT 2:IC2_EDGE	0: Capture Falling Edge on Input Capture 2 1: Capture Rising Edge on Input Capture 2								
BIT 3:OC1_LVL	0: OC_1 is set to 0 upon match 1: OC_1 is set to 1 upon match								
BIT 4:OC2_LVL	0: OC_2 is set to 0 upon match 1: OC_2 is set to 1 upon match								
BIT 5:IC_OC_TIM_LAT	0: No Action 1: Latches the free-running timer values into the free running timer shadow register								
BIT 6: DIS_R2M	AFE Pull-Down Resistor Value								
BIT 7: DIS_R1M	DIS_R1M			DIS_R2M		Pull-down Resistor Value (MΩ)			
	0			0		4			
	0			1		2			
	1			0		3			
	1			1		1			

7.3.18 Input Capture 1 Register (IC1MSB, IC1LSB)

INPUT CAPTURE 1 (IC1MSB, IC1LSB)				Not Bit Addressable				
ESFR:	0xC1		IC1MSB					
	BIT 7	BIT 6	BIT 5	BIT 4	BIT 3	BIT 2	BIT 1	BIT 0
	IC1[15]	IC1[14]	IC1[13]	IC1[12]	IC1[11]	IC1[10]	IC1[9]	IC1[8]
Access	r	r	r	r	r	r	r	r
At Reset	0	0	0	0	0	0	0	0
ESFR:	0xC2		IC1LSB					
	BIT 7	BIT 6	BIT 5	BIT 4	BIT 3	BIT 2	BIT 1	BIT 0
	IC1[7]	IC1[6]	IC1[5]	IC1[4]	IC1[3]	IC1[2]	IC1[1]	IC1[0]
Access	r	r	r	r	r	r	r	r
At Reset	0	0	0	0	0	0	0	0

7.3.19 Input Capture 2 Register (IC2MSB, IC2LSB)

INPUT CAPTURE 1 (IC2MSB, IC2LSB)				Not Bit Addressable				
ESFR:	0xC3		IC2MSB					
	BIT 7	BIT 6	BIT 5	BIT 4	BIT 3	BIT 2	BIT 1	BIT 0
	IC2[15]	IC2[14]	IC2[13]	IC2[12]	IC2[11]	IC2[10]	IC2[9]	IC2[8]
Access	r	r	r	r	r	r	r	r
At Reset	0	0	0	0	0	0	0	0
ESFR:	0xC4		IC2LSB					
	BIT 7	BIT 6	BIT 5	BIT 4	BIT 3	BIT 2	BIT 1	BIT 0
	IC2[7]	IC2[6]	IC2[5]	IC2[4]	IC2[3]	IC2[2]	IC2[1]	IC2[0]
Access	r	r	r	r	r	r	r	r
At Reset	0	0	0	0	0	0	0	0

7.3.20 Output Compare 1 Register (OC1MSB, OC1LSB)

OUTPUT COMPARE 1 (OC1MSB, OC1LSB)				Not Bit Addressable				
ESFR:	0xC5		OC1MSB					
	BIT 7	BIT 6	BIT 5	BIT 4	BIT 3	BIT 2	BIT 1	BIT 0
	OC1[15]	OC1[14]	OC1[13]	OC1[12]	OC1[11]	OC1[10]	OC1[9]	OC1[8]
Access	r/w	r/w	r/w	r/w	r/w	r/w	r/w	r/w
At Reset	0	0	0	0	0	0	0	0
ESFR:	0xC6		OC1LSB					
	BIT 7	BIT 6	BIT 5	BIT 4	BIT 3	BIT 2	BIT 1	BIT 0
	OC1[7]	OC1[6]	OC1[5]	OC1[4]	OC1[3]	OC1[2]	OC1[1]	OC1[0]
Access	r/w	r/w	r/w	r/w	r/w	r/w	r/w	r/w
At Reset	0	0	0	0	0	0	0	0

7.3.21 Input Capture/Output Compare GPIO Register (IC_OC_GPIO)

IC_OC_GPIO				Not Bit Addressable				
ESFR:	0xC7		IC_OC_GPIO					
	BIT 7	BIT 6	BIT 5	BIT 4	BIT 3	BIT 2	BIT 1	BIT 0
	–	–	–	–	OC2_ACT	OC1_ACT	IC2_ACT	IC1_ACT
Access	r/w	r/w	r/w	r/w	r/w	r/w	r/w	r/w
At	0	0	0	0	0	0	0	0
Bit Definitions								
	BIT 0:IC1_ACT		0: GPIO_1 is not configured for IC_1 1: GPIO_1 is configured for IC_1					
	BIT 1:IC2_ACT		0: GPIO_2 is not configured for IC_2 1: GPIO_2 is configured for IC_2					
	BIT 2:OC1_ACT		0: GPIO_3 is not configured for OC_1 1: GPIO_3 is configured for OC_1					
	BIT 3:OC2_ACT		0: GPIO_4 is not configured for OC_2 1: GPIO_4 is configured for OC_2					
	BIT 4:-		–					
	BIT 5: -		–					
	BIT 6: -		–					
	BIT 7:-		–					

7.3.22 Output Compare 2 Register (OC2MSB, OC2LSB)

OUTPUT COMPARE 1 (OC2MSB, OC2LSB)				Not Bit Addressable				
ESFR:	0xC9		OC2MSB					
	BIT 7	BIT 6	BIT 5	BIT 4	BIT 3	BIT 2	BIT 1	BIT 0
	OC2[15]	OC2[14]	OC2[13]	OC2[12]	OC2[11]	OC2[10]	OC2[9]	OC2[8]
Access	r/w	r/w	r/w	r/w	r/w	r/w	r/w	r/w
At Reset	0	0	0	0	0	0	0	0
ESFR:	0xCA		OC2LSB					
	BIT 7	BIT 6	BIT 5	BIT 4	BIT 3	BIT 2	BIT 1	BIT 0
	OC2[7]	OC2[6]	OC2[5]	OC2[4]	OC2[3]	OC2[2]	OC2[1]	OC2[0]
Access	r/w	r/w	r/w	r/w	r/w	r/w	r/w	r/w
At Reset	0	0	0	0	0	0	0	0

7.3.23 Free Running Timer Shadow Register (FRTMSB, FRTL SB)

FREE RUNNING TIMER 1 (FRTMSB, FRTL SB)				Not Bit Addressable				
ESFR:	0xCB		FRTMSB					
	BIT 7	BIT 6	BIT 5	BIT 4	BIT 3	BIT 2	BIT 1	BIT 0
	FRT[15]	FRT[14]	FRT[13]	FRT[12]	FRT[11]	FRT[10]	FRT[9]	FRT[8]
Access	r	r	r	r	r	r	r	r
At Reset	0	0	0	0	0	0	0	0
ESFR:	0xCC		FRTL SB					
	BIT 7	BIT 6	BIT 5	BIT 4	BIT 3	BIT 2	BIT 1	BIT 0
	FRT[7]	FRT[6]	FRT[5]	FRT[4]	FRT[3]	FRT[2]	FRT[1]	FRT[0]
Access	r	r	r	r	r	r	r	r
At Reset	0	0	0	0	0	0	0	0

7.3.24 Communication Data Buffer (COMBUF)

COMM DATA BUFFER (COMBUF)				Not Bit Addressable				
ESFR:	0xD3		COMBUF					
	BIT 7	BIT 6	BIT 5	BIT 4	BIT 3	BIT 2	BIT 1	BIT 0
	COMBUF[7]	COMBUF[6]	COMBUF[5]	COMBUF[4]	COMBUF[3]	COMBUF[2]	COMBUF[1]	COMBUF[0]
Access	r/w	r/w	r/w	r/w	r/w	r/w	r/w	r/w
At	0	0	0	0	0	0	0	0

7.3.25 Digital Interface Control Register (DI_CTRL)

DI CONTROL REGISTER (DI_CTRL)				Not Bit Addressable				
ESFR:	0xD4		DI_CTRL					
	BIT 7	BIT 6	BIT 5	BIT 4	BIT 3	BIT 2	BIT 1	BIT 0
	-	-	-	-	OWI_DEGLITCH_SEL	OWI_XCR_EN	DI_CTRL[1]	DI_CTRL[0]
Access		R	r	r	r/w	r/w	r/w	r/w
At	0	0	0	0	0	0	0	0
Bit Definitions								
	BIT 0:DI_CTRL[0]		00: SPI/DAC1 are active 01: I2C/DAC1 are active					
	BIT 1: DI_CTRL[1]		10: OWI is active 11: SPI/DAC1 is active					
	BIT 2:OWI_XCR_EN		0: Disable OWI Transceiver – DAC1 is connected to VOUT1/OWI 1: Enable OWI Transceiver – OWI Transceiver is connected to VOUT1/OWI					
	BIT 3: OWI_DEGLITCH_SEL		0: OWI activation deglitch filters are set to 1ms 1: OWI activation deglitch filters are set to 10ms					
	BIT 4: -		-					
	BIT 5: -		-					
	BIT 6: -		-					
	BIT 7:-		-					

7.3.26 Enable Control Register (EN_CTRL)

ENABLE REGISTER (EN_CTRL)				Not Bit Addressable				
ESFR:	0xD5		EN_CTRL					
	BIT 7	BIT 6	BIT 5	BIT 4	BIT 3	BIT 2	BIT 1	BIT 0
	-	-	-	INT_CAPS_EN	LB_EN	CTOV_CLK_MON_EN	MAIN_OSC_WD_EN	CPU_WD_EN
Access		r/w	r/w	r/w	r/w	r/w	r/w	r/w
At	0	0	0	0	0	0	0	0
Bit Definitions								
	BIT 0:CPU_WD_EN		0: Software watchdog is disabled 1: Software watchdog is enabled					
	BIT 1: MAIN_OSC_WD_EN		0: Internal Oscillator watchdog is disabled 1: Internal Oscillator watchdog is enabled					
	BIT 2:CTOV_CLK_MON_EN		0: Disable Cap Sensor Clock High/Low flag operation 1: Enable Cap Sensor Clock High/Low flag operation					
	BIT 3: LB_EN		0: DAC loopback is disabled 1: DAC Loopback is enabled in both resistive and capacitive modes. The AFE is switched to resistive bridge mode					
	BIT 4: INT_CAPS_EN		0: External Sensor Caps are connected to Capacitive AFE 1: Internal Test Caps are connected to Capacitive AFE					
	BIT 5: -		-					
	BIT 6: -		-					
	BIT 7:-		-					

7.3.27 Enable Control Register (EN_CTRL2)

ENABLE REGISTER (EN_CTRL2)				Not Bit Addressable				
ESFR:	0xD6		EN_CTRL2					
	BIT 7	BIT 6	BIT 5	BIT 4	BIT 3	BIT 2	BIT 1	BIT 0

	-	-	-	-	-	EN_IRAM_MBIST	EN_DI_IF_CLK	EN_EEPROM_CTRL_CLK
Access		r/w	r/w	r/w	r/w	r/w	r/w	r/w
At	0	0	0	0	0	0	0	0
Bit Definitions								
	BIT 0: EN_EEPROM_CTRL_CLK		0: Disable clock to the EEPROM controller. All EEPROM access is disabled 1: Enable clock to the EEPROM Controller					
	BIT 1: EN_DI_IF_CLK		0: Disable clock to the Digital Interface controller. No digital interface can be used 1: Enable clock to the Digital Interface Controller Special note: This bit will automatically be set to '1' if an OWI activation interrupt occurs or if NCS (SPI chip select = '0' for at least 5 10MHz clock cycles. Noise on the NCS pin can cause the unintentional activation of the Digital Interface clock					
	BIT 2: EN_IRAM_MBIST		0: Disable IRAM MBIST 1: Enable IRAM MBIST. 8051W will not have access to RAM					
	BIT 3: -		-					
	BIT 4: -		-					
	BIT 5: -		-					
	BIT 6: -		-					
	BIT 7:-		-					

7.3.28 RAM MBIST Status Register (RAM_MBIST_ST)

ENABLE REGISTER (EN_CTRL2)				Not Bit Addressable				
ESFR:	0xD5		EN_CTRL2					
	BIT 7	BIT 6	BIT 5	BIT 4	BIT 3	BIT 2	BIT 1	BIT 0
	-	-	-	-	-	-	IRAM_MBIST_FAIL	IRAM_MBIST_DONE
Access		r/w	r/w	r/w	r/w	r/w	r	r
At	0	0	0	0	0	0	0	0
Bit Definitions								
	BIT 0: IRAM_MBIST_DONE		0: RAM MBIST is not complete 1: RAM MBIST complete Note: This bit is valid only after IRAM_MBIST_EN has been set to 1					
	BIT 1: IRAM_MBIST_FAIL		0: RAM MBIST had no failures after completion 1: RAM MBIST experienced a failure Note: This bit is valid only after IRAM_MBIST_DONE flag is set 1					
	BIT 2: -		-					
	BIT 3: -		-					
	BIT 4: -		-					
	BIT 5: -		-					
	BIT 6: -		-					
	BIT 7:-		-					

7.3.29 EEPROM Status Register (EE_STATUS)

EEPROM STATUS (EE_STATUS)				Not Bit Addressable					
ESFR:	0xE1		EE_STATUS						
	BIT 7	BIT 6	BIT 5	BIT 4	BIT 3	BIT 2	BIT 1	BIT 0	
	TRIM_ERR	CRC_ERR	EEPROM_GOOD	EE_READ_IN_PROG	EE_PROG_IN_PROG	EE_BNK[2]	EE_BNK[1]	EE_BNK[0]	
Access		r	r	r	r	r	r	r	
At	0	0	0	0	0	0	0	0	
Bit Definitions	BIT 0:EE_BNK[0]		000: Bank 0 has been selected 001: Bank 1 has been selected						
	BIT 1:EE_BNK[1]		010: Bank 2 has been selected 011: Bank 3 has been selected						
	BIT 2:EE_BNK[2]		100: Bank 4 has been selected 101: Bank 5 has been selected 110: D/C 111 D/C						
	BIT 3: EE_PROG_IN_PROG		0: Idle 1: EEPROM programming in progress						
	BIT 4: EE_READ_IN_PROG		0: Idle 1: EEPROM data transfer to cache in progress						
	BIT 5: EEPROM_GOOD		0: EEPROM programming not good 1: EEPROM programming good						
	BIT 6:CRC_ERR		0: EEPROM CRC is good 1: EEPROM CRC is in error						
	BIT 7:TRIM_ERR		0: Internal TRIM Value is good 1: Internal TRIM Value is corrupted						

7.3.30 EEPROM Control Register (EE_CTRL)

EEPROM CONTROL REGISTER (EE_CTRL)				Not Bit Addressable					
ESFR:	0xE2		EE_CTRL						
	BIT 7	BIT 6	BIT 5	BIT 4	BIT 3	BIT 2	BIT 1	BIT 0	
	-	-	-	-	-	-	-	MICRO_EEPROM	
Access		r/w	r/w	r/w	r/w	r/w	r/w	r/w	
At	0	0	0	0	0	0	0	0	
Bit Definitions	BIT 0:MICRO_EEPROM		0: No Action 1: Program Bank 0 of EEPROM						
	BIT 1: -		-						
	BIT 2: -		-						
	BIT 3: -		-						
	BIT 4: -		-						
	BIT 5:-		-						
	BIT 6: -		-						
	BIT 7: -		-						

7.4 Test Registers

The Test Registers are special registers that are accessible only via Digital Interface (SPI, OWI, I2C). Note that these registers are not mapped into the 8051W address space and hence are not accessible to the 8051W microprocessor.

Upon Power-up the Digital interface will only have access to the test register space. For the Digital interface (SPI, I2C, OWI) to gain access to the other Memory spaces, it is necessary to set the IF_SEL bit in the Micro/Interface Control register (address 0xD0). After setting this bit to '1' the digital interface will have access to all of the memory space while the 8051W will be denied access to all memory spaces. Since the 8051W will be denied access to any memory including the program memory space, it is recommended for the user to put the 8051W in reset state by writing a '1' to MICRO_RESET bit in the Micro/Interface Control register before IF_SEL bit is set to '1'.

ADDRESS (hex)	D7	D6	D5	D4	D3	D2	D1	D0	R/W	POWER UP	DESCRIPTION (PROGRAMMABLE REGS)
03	-	-	-	-	CLR_OWI_STAT	TOP_ACT	TON_ACT	TIP_ACT	R/W	0x00	TESTMUX_ACT
04	COMBUF[7]	COMBUF[6]	COMBUF[5]	COMBUF[4]	COMBUF[3]	COMBUF[2]	COMBUF[1]	COMBUF[0]	R/W	0x00	COMBUF_T
05	-	-	-	-	-	-	-	COMM_DATA_RDY	R/W	0x00	COMBUF_R
06	-	-	AMUX_0[5]	AMUX_0[4]	AMUX_0[3]	AMUX_0[2]	AMUX_0[1]	AMUX_0[0]	R/W	0xx0	AMUX_O
07	-	-	-	DMUX_O[4]	DMUX_O[3]	DMUX_O[2]	DMUX_O[1]	DMUX_O[0]	R/W	0xx0	DMUX_O
08	-	-	AMUX_I[5]	AMUX_I[4]	AMUX_I[3]	AMUX_I[2]	AMUX_I[1]	AMUX_I[0]	R/W	0x00	AMUX_I
09	-	-	-	-	DMUX_I[3]	DMUX_I[2]	DMUX_I[1]	DMUX_I[0]	R/W	0x00	DMUX_I
0D	-	-	EE_BANK_RELOAD	IGN_PROG_TIMER	DI_EEPROM	EE_BANK_SEL[2]	EE_BANK_SEL[1]	EE_BANK_SEL[0]	R/W	0x00	EEPROM_A
0E	-	-	-	-	-	-	MICRO_RESET	IF_SEL	R/W	0x00	MICRO_IF_SELECT
14	OWI_ERR_1[7]	OWI_ERR_1[6]	OWI_ERR_1[5]	OWI_ERR_1[4]	OWI_ERR_1[3]	OWI_ERR_1[2]	OWI_ERR_1[1]	OWI_ERR_1[0]	R/W	0x00	OWI_ERR_1
15	-	-	-	-	-	-	OWI_ERR_2[1]	OWI_ERR_2[0]	R/W	0x00	OWI_ERR_2

7.4.1 Test MUX Activation Register (TESTMUX_ACT)

Test MUX Activation Register (TESTMUX_ACT)				Not Bit Addressable				
TEST:	0x03							
	BIT 7	BIT 6	BIT 5	BIT 4	BIT 3	BIT 2	BIT 1	BIT 0
	–	–	–	–	CLR_OWI_STAT	TOP_ACT	TON_ACT	TIP_ACT
Access	r/w	r/w	r/w	r/w	r/w	r/w	r/w	r/w
At Reset	0	0	0	0	0	0	0	0
Bit Definitions								
	BIT 0:TIP_ACT			0: No Action 1: Activates GPIO_2 for Test Digital Input P				
	BIT 1: TON_ACT			0: No Action 1: Activates GPIO_4 for Test Digital Output N				
	BIT 2: TOP_ACT			0: No Action 1: Activates GPIO_3 for Test Digital Output P				
	BIT 3: CLR_OWI_STAT			0: OWI Error bits not cleared 1: OWI Error bits are cleared				
	BIT 4: -			–				
	BIT 5:-			–				
	BIT 6: -			–				
	BIT 7: -			–				

NOTE

The TEST MUX register is only meant to be used for debugging purposes. The performance of this test mux registers is not characterized.

7.4.2 Communication Data Buffer (COMBUF_T)

Communication Data Buffer Test (COMBUF_T)				Not Bit Addressable				
TEST:	0x04							
	BIT 7	BIT 6	BIT 5	BIT 4	BIT 3	BIT 2	BIT 1	BIT 0
	COMBUF[7]	COMBUF[6]	COMBUF[5]	COMBUF[4]	COMBUF[3]	COMBUF[2]	COMBUF[1]	COMBUF[0]
Access	r/w	r/w	r/w	r/w	r/w	r/w	r/w	r/w
At Reset	0	0	0	0	0	0	0	0

7.4.3 Communication Data Buffer Ready (COMBUF_R)

Communication Data Buffer Ready (COMBUF_R)				Not Bit Addressable				
TEST:	0x05							
	BIT 7	BIT 6	BIT 5	BIT 4	BIT 3	BIT 2	BIT 1	BIT 0
	–	–	–	–	–	–	–	COMM_DATA_RDY
Access	r/w	r/w	r/w	r/w	r/w	r/w	r/w	r/w
At Reset	0	0	0	0	0	0	0	0
Bit Definitions								
	BIT 0: COMM_DATA_RDY			0: Communication Data Not available 1: Microprocessor had loaded data into the COMBUF ESFR				
	BIT 1: TON_ACT			–				
	BIT 2: TOP_ACT			–				
	BIT 3: -			–				
	BIT 4: -			–				
	BIT 5:-			–				

PGA400-EP

SLDS195B – MAY 2013 – REVISED FEBRUARY 2014

www.ti.com

	BIT 6: -	-
	BIT 7: -	-

7.4.4 Analog Test MUX Out Register (AMUX_O)

Analog Test MUX Out Register (AMUX_O)				Not Bit Addressable					
TEST:	0x06								
	BIT 7	BIT 6	BIT 5	BIT 4	BIT 3	BIT 2	BIT 1	BIT 0	
	–	–	AMUX_0[5]	AMUX_0[4]	AMUX_0[3]	AMUX_0[2]	AMUX_0[1]	AMUX_0[0]	
Access	r/w	r/w	r/w	r/w	r/w	r/w	r/w	r/w	
At Reset	0	0	0	0	0	0	0	0	
AMUX_O[5:0] (Hex)	TOP Output		TON Output		Voltage Divider		Description		
00	GND		GND		-		30K Resistor to Ground		
01	TOUT_STAGE1p		TOUT_STAGE1n				Stage 1 Output		
02	TOUT_STAGE2p		TOUT_STAGE2n				Stage 2 Output		
03	TOUT_ADC_BUFp		TADC_BUFn				ADC Buffer Output		
04	TOUT_CTOV_OUTp		TOUT_CTOV_OUTn				CtoV Output Prior to Buffer		
05	TOUT_CTOV_BUFp		TOUT_CTOV_BUFn				CtoV Output After Buffer		
06	TOUT_OSCMP_OUTp		TOUT_OSCMP_OUTn				Offset Compensation DAC before (A1)/E Amp		
07	TOUT_OSCMP_AMPp		TOUT_OSCMP_AMPn				Offset Compensation Output delivered to Stage 2 Input		
08	TOUT_V2P475		TOUT_V0P825				Internal 2.475V and 0.825V references		
09	TOUT_VBG3V		TOUT_VPTAT				Internal BG ZTC voltage (buffered) and PTAT signal used by temp sensor and offset compensation (un-buffered)		
0A	TOUT_VBG5V		GND (Spare)				5V ZTC reference voltage (buffered) used as a ref by AVDD & DVDD		
0B	TOUT_V1P65V		GND (Spare)				Output the internal common mode reference voltage		
0C	TOUT_TEMP_ADC_IN		GND (Spare)				Output of the buffer driving the temp ADC		
0D	TOUT_VCCINT		GND (Spare)		0.2*VCC_INT		Internal protected 5V supply		
0E	TOUT_OTP_REG2V		GND (Spare)				OTP 2V regulator voltage		
0F	TOUT_EEPROM_VPROG		GND (Spare)		0.2*VEEPROM_P		EEPROM program voltage		
10	TOUT_EEPROM_VSHIFT		GND (Spare)				EEPROM Vshift voltage		
11	TOUT_EEPROM_VT		GND (Spare)				EEPROM VT voltage		

NOTE

The TEST MUX register is only meant to be used for debugging purposes. The performance of this test mux registers is not characterized.

7.4.5 Digital Test MUX Out Register (DMUX_O)

Digital Test MUX Out Register (DMUX_O)				Not Bit Addressable					
TEST:	0x07								
	BIT 7	BIT 6	BIT 5	BIT 4	BIT 3	BIT 2	BIT 1	BIT 0	
	–	–	–	DMUX_O[4]	DMUX_O[3]	DMUX_O[2]	DMUX_O[1]	DMUX_O[0]	
Access	r/w	r/w	r/w	r/w	r/w	r/w	r/w	r/w	
At Reset	0	0	0	0	0	0	0	0	
DMUX_O[4:0] (Hex)	TOP_D (GPIO3)			TON_D (GPIO4)		Remark			
00	ZERO			ZERO		Ground			
01	PSMON[0]			PSMON[1]		PSMON Flags			
02	PSMON[2]			PSMON[3]		PSMON Flags			
03	PSMON[4]			PSMON[5]		PSMON Flags			
04	PSMON[6]			PSMON[7]		PSMON Flags			
05	PSMON[8]			PSMON[9]		PSMON Flags			
06	PSMON[10]			PSMON[11]		PSMON Flags			
07	AFEDIAG[0]			AFEDIAG[1]		AFEDIAG Flags			
08	AFEDIAG[2]			AFEDIAG[3]		AFEDIAG Flags			
09	OWI_5P4_COMP_IN			OWI_6P8_COMP_IN		Low and High comparator outputs used by OWI Activation circuit			
0A	OSC_5M			OSC_200K		5MHz Internal oscillator and 200KHz Watchdog Oscillator			
0B	OSC_XTAL			CLK_EE_2M		Crystal Oscillator and EEPROM Charge Pump Clk			
0C	CLK_ADC_1M			CLK_TADC_128K		Pressure ADC Clock and Temperature ADC Clock			
0D	CHOP_CLK_700K			CTOV_CLK		First Stage Chopper Clock, Capacitive AFE Clock			
0E	SDM_PWM			SDM_ERR		PWM and ERR output from Pressure SDM			
0F	SDM_TEMP			CIRAM_MBIST_RETENTION		PWM from Temperature SDM, CIRAM MBIST Retention Stop			
10	LOAD_DS1			LOAD_DS2		Sensor decimator downsample pulses			
11	LOAD_DS_TEMP			XINTR_SRC[5]		Temperature decimator downsample pulse, External Interrupt			
12	XINTR_SRC[7]			XINTR_SRC[8]		External Interrupt			
13	XINTR_SRC[9]			XINTR_SRC[10]		External Interrupt			
14	XINTR_SRC[11]			XINTR_SRC[12]		External Interrupt			

7.4.6 Analog Test MUX In Register (AMUX_I)

Analog Test MUX In Register (AMUX_I)				Not Bit Addressable				
TEST:	0x08							
	BIT 7	BIT 6	BIT 5	BIT 4	BIT 3	BIT 2	BIT 1	BIT 0
	–	–	–	AMUX_I[4]	AMUX_I[3]	AMUX_I[2]	AMUX_I[1]	AMUX_I[0]
Access	r/w	r/w	r/w	r/w	r/w	r/w	r/w	r/w
At Reset	0	0	0	0	0	0	0	0
AMUX_I[4:0] (Hex)	TIP		TIN		Remark			
00	GND		GND		30K Resistor to Ground			
01	TIN_STAGE2p		TIN_STAGE2N		Input to Stage 2 Amp			
02	TIN_ADC_BUFp		TIN_ADC_BUFn		Input to ADC Buffer			
03	TIN_ADCp		TIN_ADCn		Input to Pressure SDM			
04	TIN_CTOV_AMPp		TIN_CTOV_AMPn		Input to CTOV Trans-Z configured as voltage amplifier in test mode			
05	TIN_CTOV_OUTp		TIN_CTOV_OUTn		Input to output buffer in the CTOV AFE			
06	TIN_OSCMP_AMPp		TIN_OSCMP_AMPn		Input to the voltage amplifier in the offset compensation circuit			
07	TIN_V2P475		TIN_V0P825		Set the internal 2.475V and 0.825V references			
08	TIN_DAC_BUFF1		TIN_DAC_BUFF2		Input to the DAC Buffers			
09	TIN_OSCMP_VBG		TIN_OSCMP_VPTAT		Set the ZTC and PTAT signals used by the offset compensation circuit			
0A	TIN_COMPREF		GND		Reference input to the comparator in the Capacitive AFE circuit			
0B	TIN_CTOV_CLK		GND		Set the clock used by Capacitive AFE			
0C	TIN_V1P65		GND		Set the internal 1.65V reference			
0D	TIN_BG5		GND		Set the internal 5V bandgap reference signal			
0E	TIN_TEMP_ADC		GND		Input to Temperature ADC			
0F	TIN_SNSR_SUPPLY_REF		GND		Set the reference used by VBRG			
10	TIN_IBIST_OTP		GND		Input current for OTP test			
11	TOUT_IB10U_5V		TOUT_IB10U_3V		Bias current from 5V and 3V bandgaps			

NOTE

The TEST MUX register is only meant to be used for debugging purposes. The performance of this test mux registers is not characterized.

7.4.7 Digital Test MUX In Register (DMUX_I)

Digital Test MUX In Register (DMUX_I)				Not Bit Addressable						
TEST:	0x09									
	BIT 7	BIT 6	BIT 5	BIT 4	BIT 3	BIT 2	BIT 1	BIT 0		
	–	–	–	–	DMUX_I[3]	DMUX_I[2]	DMUX_I[1]	DMUX_I[0]		
Access	r/w	r/w	r/w	r/w	r/w	r/w	r/w	r/w		
At Reset	0	0	0	0	0	0	0	0		
DMUX_I[3:0] (Hex)	TIP_D Connected to				Remark					
00	GND				Reference					
01	OTP_CLK				OTP Clock					
02	SADC_PWM				Pressure ADC PWM Bit					
03	TADC_PWM				Temperature ADC PWM Bit					
04	CLK_ADC_1M				Pressure SDM Clock					
05	CLK_TADC_128K				Temperature SDM Clock					
06	CHOP_CLK_700K				Clock for first stage chopper amplifier					
07	CLK_EE_CP				Clock for EEPROM charge pump					
08	XINTR_ACK[5]				Interrupt Acknowledge					
09	XINTR_ACK[7]				Interrupt Acknowledge					
0A	XINTR_ACK[8]				Interrupt Acknowledge					
0B	XINTR_ACK[9]				Interrupt Acknowledge					
0C	XINTR_ACK[10]				Interrupt Acknowledge					

NOTE

The TEST MUX register is only meant to be used for debugging purposes. The performance of this test mux registers is not characterized.

7.4.8 EEPROM Access Control Register (EEPROM_A)

EEPROM Access Control Register (EEPROM_A)				Not Bit Addressable				
TEST:	0x0D							
	BIT 7	BIT 6	BIT 5	BIT 4	BIT 3	BIT 2	BIT 1	BIT 0
	–	–	EE_BANK_RELOAD	IGN_PROG_TIMER	DI_EEPROM	EE_BANK_SEL[2]	EE_BANK_SEL[1]	EE_BANK_SEL[0]
Access	r/w	r/w	r/w	r/w	r/w	r/w	r/w	r/w
At Reset	0	0	0	0	0	0	0	0

Bit Definitions		
	BIT 0: EE_BANK_SEL[0]	EE_BANK_SEL[0:2] 0b000: Bank 0
	BIT 1: EE_BANK_SEL[1]	0b001: Bank 1 0b010: Bank 2
	BIT 2: EE_BANK_SEL[2]	0b011: Bank 3 0b100: Bank 4 0b101: Bank 5
	BIT 3: DI_EEPROG	0: No Action 1: Program EEPROM via Digital Interface (SPI, I2C, OWI)
	BIT 4: IGN_PROG_TIMER	0: DI_EEPROG is reset to 0 15ms after being set to 1 by Digital Interface 1: Program timer timeout is ignored
	BIT 5: EE_BANK_RELOAD	0: No Action 1: Force Reload current EEPROM bank contents into EEPROM Cache
	BIT 6: -	
	BIT 7: -	

7.4.9 Micro/Interface Control Register (MICRO_IF_SEL_T)

Micro/Interface Control Register (MICRO_IF_SEL_T)				Not Bit Addressable				
TEST:	0x0E							
	BIT 7	BIT 6	BIT 5	BIT 4	BIT 3	BIT 2	BIT 1	BIT 0
	–	–	–	–	–	–	MICRO_RESET	IF_SEL
Access	r/w	r/w	r/w	r/w	r/w	r/w	r/w	r/w
At Reset	0	0	0	0	0	0	0	0
Bit Definitions								
	BIT 0: IF_SEL			0: 8051W microprocessor will access Memory (EEPROM, OTP, ESRF, RAM) 1: Digital Interface will access Memory				
	BIT 1: MICRO_RESET			0: No Action 1: 8051W is in reset				
	BIT 2: –							
	BIT 3: –							
	BIT 4: –							
	BIT 5: –							
	BIT 6: –							
	BIT 7: –							

7.4.10 OWI Error Status 1 (OWI_ERR_1)

OWI Error Status 1 (OWI_ERR_1)				Not Bit Addressable				
TEST:	0x14							
	BIT 7	BIT 6	BIT 5	BIT 4	BIT 3	BIT 2	BIT 1	BIT 0
	OWI_ERR_1[7]	OWI_ERR_1[6]	OWI_ERR_1[5]	OWI_ERR_1[4]	OWI_ERR_1[3]	OWI_ERR_1[2]	OWI_ERR_1[1]	OWI_ERR_1[0]
Access	r/w	r/w	r/w	r/w	r/w	r/w	r/w	r/w
At Reset	0	0	0	0	0	0	0	0
Bit Definitions								
	BIT 0: OWI_ERR_1[0]			0: No Error 1: SYNC Field bit rate is < 2000bps				
	BIT 1: OWI_ERR_1[1]			0: No Error 1: SYNC Field bit rate is < `25Kbps				
	BIT 2: OWI_ERR_1[2]			0: No Error				

		1: SYNC Field stop bit too short
	BIT 3: OWI_ERR_1[3]	0: No Error 1: CMD Field: incorrect stop bit value
	BIT 4: OWI_ERR_1[4]	0: No Error 1: CMD Field: stop bit too short
	BIT 5: OWI_ERR_1[5]	0: No Error 1: DATA Field: incorrect stop bit value
	BIT 6: OWI_ERR_1[6]	0: No Error 1: DATA Field; stop bit too short
	BIT 7: OWI_ERR_1[7]	0: No Error 1: DATA Field: slave transmit value overdriven to dominant value during stop bit transmit

7.4.11 OWI Error Status 2 (OWI_ERR_2)

OWI Error Status 2 (OWI_ERR_2)				Not Bit Addressable				
TEST:	0x15							
	BIT 7	BIT 6	BIT 5	BIT 4	BIT 3	BIT 2	BIT 1	BIT 0
	-	-	-	-	-	-	OWI_ERR_2[1]	OWI_ERR_2[0]
Access	r/w	r/w	r/w	r/w	r/w	r/w	r/w	r/w
At Reset	0	0	0	0	0	0	0	0
Bit Definitions								
	BIT 0: OWI_ERR_2[0]			0: No Error 1: Consecutive bits in the sync field are different by more than +/-25% tolerance				
	BIT 1: OWI_ERR_2[1]			0: No Error 1: INVALID command sent through OWI protocol				
	BIT 2: -			-				
	BIT 3: -			-				
	BIT 4: -			-				
	BIT 5: -			-				
	BIT 6: -			-				
	BIT 7: -			-				

7.5 8051W Interrupts

MCU8051 provides the five standard 8051-compatible ‘Legacy’ interrupts, plus expansion capability for a further nine ‘Extended’ interrupts sourced from external user logic. The standard and extended interrupts each have separate enable register bits associated with them, allowing software control. They can also have two levels of priority assigned to them.

7.5.1 Standard Interrupts

The five standard interrupts comprise two timer overflow interrupts, an interrupt associated with the core’s built-in serial interface, and two external interrupts (referred to as ‘Legacy’ external interrupts).

The two Timer overflow interrupts, TF0 and TF1, are set whenever timer 0 or timer 1 respectively roll-over to zero. The states of these interrupts are also stored in the TCON register. TF0 and TF1 are automatically cleared by hardware on entry to the corresponding interrupt service routine.

The Serial interrupt source comprises the logical OR of the two serial interface status bits RI and TI in register SCON. These are set automatically upon receipt or transmission of a data frame. These two bits are not cleared by hardware.

The Legacy external interrupts, NINT0 and NINT1, are driven from inputs PORT3(2) and PORT3(3) respectively. These interrupts may be either edge- or level-sensitive, depending on settings within the TCON register. Two further TCON register bits, IE0 and IE1, act as interrupt flags. If the external interrupt is set to edge-triggered, the corresponding register bit IE0/1 is set by a falling edge on NINT0/1 and cleared by hardware on entry to the corresponding interrupt service routine. If the interrupt is set to be level-sensitive, IE0/1 reflects the logic level on NINT0/1. (The TCON register is described in Section 5.2.5.1).

NOTE

All events on NINT0 and NINT1, whether level-triggered or edge-triggered, are detected by sampling the relevant interrupt line on the rising edge of SCLK at the end of Phase 1 of every machine cycle. Where NINT0/NINT1 is level-triggered, a response is made to the signal being sampled low and, to ensure detection, the external source needs to hold the line low until the resulting interrupt is generated. (It also needs to ensure that the request is deactivated before the end of the associated service routine.) Where NINT0/NINT1 is edge-triggered, the response is made to a transition on the signal from high to low between successive samples. This means that, to ensure detection, NINT0/NINT1 needs to have been high for at least two clocks before it goes low and then needs to be held low for at least two clocks after this transition.

(Further information about these five standard interrupts can be found, for example, in the Intel 8-Bit Embedded Controller Handbook in the ‘Hardware Description of the 8051, 8052 & 80C51’.)

7.5.2 Extended Interrupts

Source and acknowledge signals are provided for a further nine interrupts. These interrupts are driven from external user logic, typically a user ESFR. The extended interrupts are input to the core on bits 5 to 13 of input bus XINTR_SRC, while acknowledge signals are output from the core on bits 5 to 13 of bus XINTR_ACK. Note: If the timers or the UART are omitted from the design, their corresponding interrupt inputs (plus those of the Legacy external interrupts where the timers are omitted) are made available at the core periphery as XINTR_SRC[4:0], along with corresponding XINTR_ACK acknowledge signals, for use as additional Extended interrupts.)

The extended interrupt lines are sampled on the rising edge of PCLK at the beginning of Phase 2 of the last cycle of the current instruction. To ensure detection, the external source needs to hold the XINTR_SRC line high until the resulting interrupt is generated. (It also needs to ensure that the request is deactivated before the end of the associated service routine.) Note: Any edge-triggering that is required will need to be taken care of by individual peripherals.

7.5.2.1 Interrupt Flag Clear

If the Legacy external interrupts NINT0 and NINT1 are edge triggered, the interrupt flag is cleared on vectoring to the service routine. If they are level triggered, the flag is controlled by the external signal. Timer/counter flags are cleared on vectoring to the interrupt service routine but the serial interrupt flag is not affected by hardware. The serial interrupt flag should be cleared by software. Acknowledge signals are provided for clearing any registers used to source the nine additional interrupts.

7.5.2.2 Priority Levels / Interrupt Vectors

One of two priority levels may be selected for each interrupt. An interrupt of a high priority may interrupt the service routine of a low priority interrupt and, if two interrupts of different priority occur at the same time, the higher level interrupt will be serviced first. An interrupt cannot be interrupted by another interrupt of the same priority level. If two interrupts of the same priority level occur simultaneously, a polling sequence is observed. The polling sequence is described in Table 21.

When an interrupt is serviced, a long call instruction is executed to an address location, according to the interrupt's source: The interrupt vector addresses for each interrupt is listed in Table 21.

Table 7-1. Interrupt Summary.
The entries that are greyed out in the above table are not available for use in the PGA400-Q1.

8051W Source	PGA400	Vector Address	Polling Sequence	Flag	Enable	Priority Control
External Interrupt 0 (GPIO_5)	GPIO_5	0x0003	1 (Highest)	IE0 (TCON.1)	EX0 (IE.0)	PX0 (IP.0)
Timer/Counter Interrupt 0	←	0x000B	2	TF0 (TCON.5)	ET0 (IE.1)	PT0 (IP.1)
External Interrupt 1		0x0013	3	IE1 (TCON.3)	EX1 (IE.2)	PX1 (IP.2)
Timer/Counter Interrupt 1	←	0x001B	4	TF1 (TCON.7)	ET1 (IE.3)	PT1 (IP.3)
Serial Port 0	←	0x0023	5	RI_0 (SCON0.0) TI_0 (SCON0.1)	ES0 (IE.4)	PS0 (IP.4)
External Interrupt 5	OWI ACTIVATION	0x002B	6	-	EI5 (IE.5)	PI5 (IP.5)
External Interrupt 6	COMM DATA BUFFER	0x0033	7	-	EI6 (IE1.0)	PI6 (IP1.0)
External Interrupt 7	IC_1	0x003B	8	-	EI7 (IE1.1)	PI7 (IP1.1)
External Interrupt 8	IC_2	0x0043	9	-	EI8 (IE1.2)	PI8 (IP1.2)
External Interrupt 9	OC_1	0x004B	10	-	EI9 (IE1.3)	PI9 (IP1.3)
External Interrupt 10	OC_2	0x0053	11	-	EI10 (IE1.4)	PI10 (IP1.4)
External Interrupt 11	Signal Channel 1st Stage Decimator	0x005B	12	-	EI11 (IE1.5)	PI11 (IP1.5)
External Interrupt 12	Signal Channel 2nd Stage Decimator	0x0063	13	-	EI12 (IE1.6)	PI12 (IP1.6)
External Interrupt 13		0x006B	14 (Lowest)	-	EI13 (IE1.7)	PI13 (IP.7)

7.5.2.3 Interrupt Latency

The response time in a single interrupt system is between 3 and 9 machine cycles.

7.6 8051 Instructions

The M8051 Warp instruction set is shown as a table in a following section. Some of the features supported are outlined below.

7.6.1 Addressing Modes

The M8051 Warp provides a variety of addressing modes, which are outlined below.

7.6.1.1 Direct Addressing

In Direct Addressing, the operand is specified by an 8-bit address field. Only internal data and SFRs may be accessed using this mode.

7.6.1.2 Indirect Addressing

In Indirect Addressing, the operand is specified by an address contained in a register. Two registers (R0 and R1) from the current bank or the Data Pointer may be used for addressing in this mode. Both internal and external Data Memory may be indirectly addressed.

7.6.1.3 Register Addressing

In Register Addressing, the operand is specified by the top 3 bits of the opcode, which selects one of the current bank of registers. Four banks of registers are available. The current bank is selected by bits 3 and 4 of the PSW.

7.6.1.4 Register Specific Addressing

Some instructions only operate on specific registers. This is defined by the opcode. In particular many accumulator operations and some stack pointer operations are defined in this manner.

7.6.1.5 Immediate Data

Instructions which use Immediate Data are 2 or 3 bytes long and the Immediate operand is stored in Program Memory as part of the instruction.

7.6.1.6 Indexed Addressing

Only Program Memory may be addressed using Indexed Addressing. It is intended for simple implementation of look-up tables. A 16-bit base register (either the PC or the DPTR) is combined with an offset stored in the accumulator to access data in Program Memory.

7.6.2 Arithmetic Instructions

The M8051 Warp implements ADD, ADDC (Add with Carry), SUBB (Subtract with Borrow), INC (Increment) and DEC (Decrement) functions, which may be used in most addressing modes. There are three accumulator-specific instructions, DA A (Decimal Adjust A), MUL AB (Multiply A by B) and DIV AB (Divide A by B).

7.6.3 Logical Instructions

The M8051 Warp implements ANL (AND Logical), ORL (OR Logical), and XRL (Exclusive-OR Logical) functions, which again may be used in most addressing modes. There are seven accumulator-specific instructions, CLR A (Clear A), CPL A (Complement A), RL A (Rotate Left A), RLC A (Rotate Left through Carry A), RR A (Rotate Right A), RRC A (Rotate Right through Carry A), and SWAP A (Swap Nibbles of A).

7.6.4 Data Transfers

7.6.4.1 Internal Data Memory

Data may be moved from the accumulator to any Internal Data Memory location, from any Internal Data Memory location to the accumulator, and from any Internal Data Memory location to any SFR or other Internal Data Memory location.

7.6.4.2 External Data Memory

Data may be moved from the accumulator to or from an external memory location in one of two addressing modes. In 8-bit addressing mode, the external location is addressed by either R0 or R1; in 16-bit addressing mode, the location is addressed by the DPTR.

7.6.5 Jump Instructions

7.6.5.1 Unconditional Jumps

Four sorts of unconditional jump instructions are available. Short jumps (SJMP) are relative jumps (limited to -128 to +127 bytes), Long jumps (LJMP) are absolute 16-bit jumps and Absolute jumps (AJMP) are absolute 11-bit jumps (ie. within a 2K byte memory page). The last type is an Indexed jump, JMP @A+DPTR, which jumps to a location contained in the DPTR register, offset by a value stored in the accumulator.

7.6.5.2 Subroutine Calls and Returns

There are only two sorts of subroutine call, ACALL and LCALL, which are Absolute and Long as above. Two return instructions are provided, RET and RETI. The latter is for interrupt service routines.

7.6.5.3 Conditional Jumps

Conditional jump instructions all use relative addressing, so are limited to the same -128 to +127 byte range as above.

7.6.5.4 Boolean Instructions

The bit-addressable registers in both direct and SFR space may be manipulated using Boolean instructions. Logical functions are available which use the carry flag and an addressable bit as the operands and each addressable bit may be set, cleared or tested in a jump instruction.

7.6.6 Flags

The following instructions affect flags generated by the ALU:

Instruction	Flag			Instruction	Flag		
	C	OV	AC		C	OV	AC
ADD	?	?	?	CLRC	0		
ADDC	?	?	?	CPLC	?		
SUBB	?	?	?	ANL C, bit	?		
MUL	0	?		ANL C, /bit	?		
DIV	0	?		ORL C, bit	?		
DA	?			ORL C, /bit	?		
RRC	?			MOV C, bit	?		
RLC	?			CJNE	?		
SETB C	1						

In the above table, a 0 means the flag is always cleared, a 1 means the flag is always set and an “?” means that the state of the flag depends on the result of the operation. The Flag specified as Blank means that the state is unknown.

7.6.7 Instruction Table

Instructions are either 1, 2 or 3 bytes long as listed in the 'Bytes' column below. Each instruction takes either 1, 2 or 4 machine cycles to execute as listed in the following table. 1 machine cycle comprises 2 CCLK clock cycles.

ARITHMETIC				
Mnemonic	Description	Bytes	Cycles	Hex code
ADD A,Rn	Add register to A	1	1	28–2F
ADD A,dir	Add direct byte to A	2	1	25
ADD A,@Ri	Add indirect memory to A	1	1	26–27
ADD A,#data	Add immediate to A	2	1	24
ADDC A,Rn	Add register to A with carry	1	1	38–3F
ADDC A,dir	Add direct byte to A with carry	2	1	35
ADDC A,@Ri	Add indirect memory to A with carry	1	1	36–37
ADDC A,#data	Add immediate to A with carry	2	1	34
SUBB A,Rn	Subtract register from A with borrow	1	1	98–9F
SUBB A,dir	Subtract direct byte from A with borrow	2	1	95
SUBB A,@Ri	Subtract indirect memory from A with borrow	1	1	96–97
SUBB A,#data	Subtract immediate from A with borrow	2	1	94
INC A	Increment A	1	1	04
INC Rn	Increment register	1	1	08–0F
INC dir	Increment direct byte	2	1	05
INC @Ri	Increment indirect memory	1	1	06–07
DEC A	Decrement A	1	1	14
DEC Rn	Decrement register	1	1	18–1F
DEC dir	Decrement direct byte	2	1	15
DEC @Ri	Decrement indirect memory	1	1	16–17
INC DPTR	Increment data pointer	1	2	A3
MUL AB	Multiply A by B	1	4	A4
DIV AB	Divide A by B	1	4	84
DA A	Decimal Adjust A	1	1	D4
LOGICAL				
ANL A,Rn	AND register to A	1	1	58–5F
ANL A,dir	AND direct byte to A	2	1	55
ANL A,@Ri	AND indirect memory to A	1	1	56–57
ANL A,#data	AND immediate to A	2	1	54
ANL dir,A	AND A to direct byte	2	1	52
ANL dir,#data	AND immediate to direct byte	3	2	53
ORL A,Rn	OR register to A	1	1	48–4F
ORL A,dir	OR direct byte to A	2	1	45
ORL A,@Ri	OR indirect memory to A	1	1	46–47
ORL A,#data	OR immediate to A	2	1	44
ORL dir,A	OR A to direct byte	2	1	42
ORL dir,#data	OR immediate to direct byte	3	2	43
XRL A,Rn	Exclusive-OR register to A	1	1	68–6F
XRL A,dir	Exclusive-OR direct byte to A	2	1	65
XRL A,@Ri	Exclusive-OR indirect memory to A	1	1	66–67
XRL A,#data	Exclusive-OR immediate to A	2	1	64
XRL dir,A	Exclusive-OR A to direct byte	2	1	62
XRL dir,#data	Exclusive-OR immediate to direct byte	3	2	63

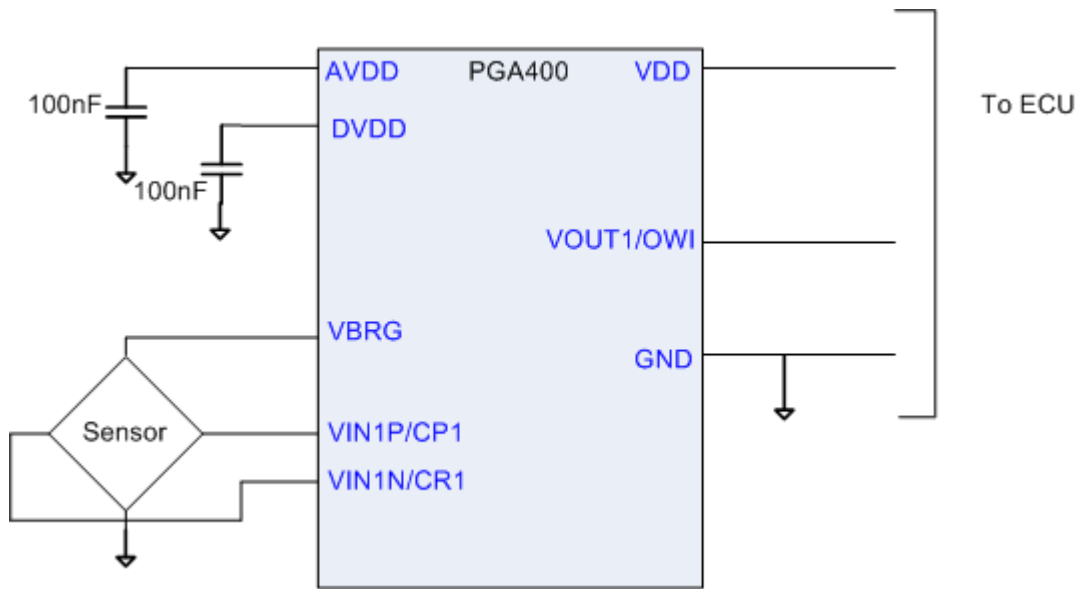
ARITHMETIC				
Mnemonic	Description	Bytes	Cycles	Hex code
CLR A	Clear A	1	1	E4
CPL A	Complement A	1	1	F4
SWAP A	Swap Nibbles of A	1	1	C4
RL A	Rotate A left	1	1	23
RLC A	Rotate A left through carry	1	1	33
RR A	Rotate A right	1	1	03
RRC A	Rotate A right through carry	1	1	13
DATA TRANSFER				
MOV A,Rn	Move register to A	1	1	E8–EF
MOV A,dir	Move direct byte to A	2	1	E5
MOV A,@Ri	Move indirect memory to A	1	1	E6–E7
MOV A,#data	Move immediate to A	2	1	74
MOV Rn,A	Move A to register	1	1	F8–FF
MOV Rn,dir	Move direct byte to register	2	2	A8–AF
MOV Rn,#data	Move immediate to register	2	1	78–7F
MOV dir,A	Move A to direct byte	2	1	F5
MOV dir,Rn	Move register to direct byte	2	2	88–8F
MOV dir,dir	Move direct byte to direct byte	3	2	85
MOV dir,@Ri	Move indirect memory to direct byte	2	2	86–87
MOV dir,#data	Move immediate to direct byte	3	2	75
MOV @Ri,A	Move A to indirect memory	1	1	F6–F7
MOV @Ri,dir	Move direct byte to indirect memory	2	2	A6–A7
MOV @Ri,#data	Move immediate to indirect memory	2	1	76–77
MOV DPTR,#data	Move immediate to data pointer	3	2	90
MOVC A,@A+DPTR	Move code byte relative DPTR to A	1	2	93
MOVC A,@A+PC	Move code byte relative PC to A	1	2	83
MOVX A,@Ri	Move external data(A8) to A	1	2	E2–E3
MOVX A,@DPTR	Move external data(A16) to A	1	2	E0
MOVX @Ri,A	Move A to external data(A8)	1	2	F2–F3
MOVX @DPTR,A	Move A to external data(A16)	1	2	F0
PUSH dir	Push direct byte onto stack			C0
POP dir	Pop direct byte from stack			D0
XCH A,Rn	Exchange A and register			C8–CF
XCH A,dir	Exchange A and direct byte			C5
XCH A,@Ri	Exchange A and indirect memory			C6–C7
XCHD A,@Ri	Exchange A and indirect memory nibble			D6–D7
BOOLEAN				
CLR C	Clear carry	1	1	C3
CLR bit	Clear direct bit	2	1	C2
SETB C	Set carry	1	1	D3
SETB bit	Set direct bit	2	1	D2
CPL C	Complement carry	1	1	B3
CPL bit	Complement direct bit	2	1	B2
ANL C,bit	AND direct bit to carry	2	2	82
ANL C,/bit	AND direct bit inverse to carry	2	2	B0
ORL C,bit	OR direct bit to carry	2	2	72
ORL C,/bit	OR direct bit inverse to carry	2	2	A0
MOV C,bit	Move direct bit to carry	2	1	A2

ARITHMETIC				
Mnemonic	Description	Bytes	Cycles	Hex code
MOV bit,C	Move carry to direct bit	2	2	92
BRANCHING				
ACALL addr 11	Absolute jump to subroutine	2	2	11→F1
LCALL addr 16	Long jump to subroutine	3	2	12
RET	Return from subroutine	1	2	22
RETI	Return from interrupt	1	2	32
AJMP addr 11	Absolute jump unconditional	2	2	01→E1
LJMP addr 16	Long jump unconditional	3	2	02
SJMP rel	Short jump (relative address)	2	2	80
JC rel	Jump on carry = 1	2	2	40
JNC rel	Jump on carry = 0	2	2	50
JB bit,rel	Jump on direct bit = 1	3	2	20
JNB bit,rel	Jump on direct bit = 0	3	2	30
JBC bit,rel	Jump on direct bit = 1 and clear	3	2	10
JMP @A+DPTR	Jump indirect relative DPTR	1	2	73
JZ rel	Jump on accumulator = 0	2	2	60
JNZ rel	Jump on accumulator ≠ 0	2	2	70
CJNE A,dir,rel	Compare A,direct jne relative	3	2	B5
CJNE A,#d,rel	Compare A,immediate jne relative	3	2	B4
CJNE Rn,#d,rel	Compare register, immediate jne relative	3	2	B8–BF
CJNE @Ri,#d,rel	Compare indirect, immediate jne relative	3	2	B6–B7
DJNZ Rn,rel	Decrement register, jnz relative	2	2	D8–DF
DJNZ dir,rel	Decrement direct byte, jnz relative	3	2	D5
MISCELLANEOUS				
NOP	No operation	1	1	00

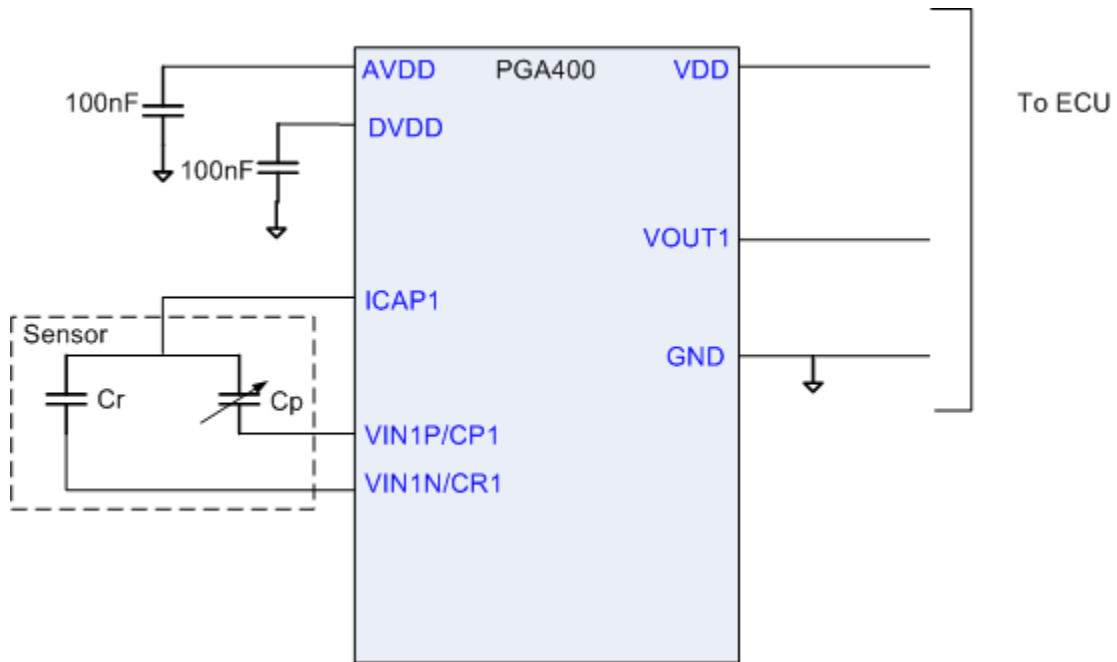
In the above table, an entry such as E8-EF indicates a continuous block of hex opcodes used for 8 different registers, the register numbers of which are defined by the lowest three bits of the corresponding code. Non-continuous blocks of codes, shown as 11→F1 (for example), are used for absolute jumps and calls, with the top 3 bits of the code being used to store the top three bits of the destination address. The CJNE instructions use the abbreviation #d for immediate data; other instructions use #data.

8 APPLICATION SCHEMATIC

8.1 Resistive Bridge Interface



8.2 Capacitive Sensor Interface



9 REVISION HISTORY

NOTE: Page numbers for previous revisions may differ from page numbers in the current version.

Changes from Revision A (June 2013) to Revision B	Page
• Changed pins 25 - 30	3

PACKAGING INFORMATION

Orderable Device	Status (1)	Package Type	Package Drawing	Pins	Package Qty	Eco Plan (2)	Lead/Ball Finish (6)	MSL Peak Temp (3)	Op Temp (°C)	Device Marking (4/5)	Samples
PGA400QRHHTEP	ACTIVE	VQFN	RHH	36	250	Green (RoHS & no Sb/Br)	CU NIPDAU	Level-3-260C-168 HR	-40 to 125	PGA400Q RHH -EP	Samples
V62/13619-01XE	ACTIVE	VQFN	RHH	36	250	Green (RoHS & no Sb/Br)	CU NIPDAU	Level-3-260C-168 HR	-40 to 125	PGA400Q RHH -EP	Samples

(1) The marketing status values are defined as follows:

ACTIVE: Product device recommended for new designs.

LIFEBUY: TI has announced that the device will be discontinued, and a lifetime-buy period is in effect.

NRND: Not recommended for new designs. Device is in production to support existing customers, but TI does not recommend using this part in a new design.

PREVIEW: Device has been announced but is not in production. Samples may or may not be available.

OBSOLETE: TI has discontinued the production of the device.

(2) Eco Plan - The planned eco-friendly classification: Pb-Free (RoHS), Pb-Free (RoHS Exempt), or Green (RoHS & no Sb/Br) - please check <http://www.ti.com/productcontent> for the latest availability information and additional product content details.

TBD: The Pb-Free/Green conversion plan has not been defined.

Pb-Free (RoHS): TI's terms "Lead-Free" or "Pb-Free" mean semiconductor products that are compatible with the current RoHS requirements for all 6 substances, including the requirement that lead not exceed 0.1% by weight in homogeneous materials. Where designed to be soldered at high temperatures, TI Pb-Free products are suitable for use in specified lead-free processes.

Pb-Free (RoHS Exempt): This component has a RoHS exemption for either 1) lead-based flip-chip solder bumps used between the die and package, or 2) lead-based die adhesive used between the die and leadframe. The component is otherwise considered Pb-Free (RoHS compatible) as defined above.

Green (RoHS & no Sb/Br): TI defines "Green" to mean Pb-Free (RoHS compatible), and free of Bromine (Br) and Antimony (Sb) based flame retardants (Br or Sb do not exceed 0.1% by weight in homogeneous material)

(3) MSL, Peak Temp. - The Moisture Sensitivity Level rating according to the JEDEC industry standard classifications, and peak solder temperature.

(4) There may be additional marking, which relates to the logo, the lot trace code information, or the environmental category on the device.

(5) Multiple Device Markings will be inside parentheses. Only one Device Marking contained in parentheses and separated by a "~" will appear on a device. If a line is indented then it is a continuation of the previous line and the two combined represent the entire Device Marking for that device.

(6) Lead/Ball Finish - Orderable Devices may have multiple material finish options. Finish options are separated by a vertical ruled line. Lead/Ball Finish values may wrap to two lines if the finish value exceeds the maximum column width.

Important Information and Disclaimer: The information provided on this page represents TI's knowledge and belief as of the date that it is provided. TI bases its knowledge and belief on information provided by third parties, and makes no representation or warranty as to the accuracy of such information. Efforts are underway to better integrate information from third parties. TI has taken and continues to take reasonable steps to provide representative and accurate information but may not have conducted destructive testing or chemical analysis on incoming materials and chemicals. TI and TI suppliers consider certain information to be proprietary, and thus CAS numbers and other limited information may not be available for release.

In no event shall TI's liability arising out of such information exceed the total purchase price of the TI part(s) at issue in this document sold by TI to Customer on an annual basis.

TAPE AND REEL INFORMATION



QUADRANT ASSIGNMENTS FOR PIN 1 ORIENTATION IN TAPE



*All dimensions are nominal

Device	Package Type	Package Drawing	Pins	SPQ	Reel Diameter (mm)	Reel Width W1 (mm)	A0 (mm)	B0 (mm)	K0 (mm)	P1 (mm)	W (mm)	Pin1 Quadrant
PGA400QRHHTEP	VQFN	RHH	36	250	180.0	16.4	6.3	6.3	1.1	12.0	16.0	Q2

TAPE AND REEL BOX DIMENSIONS

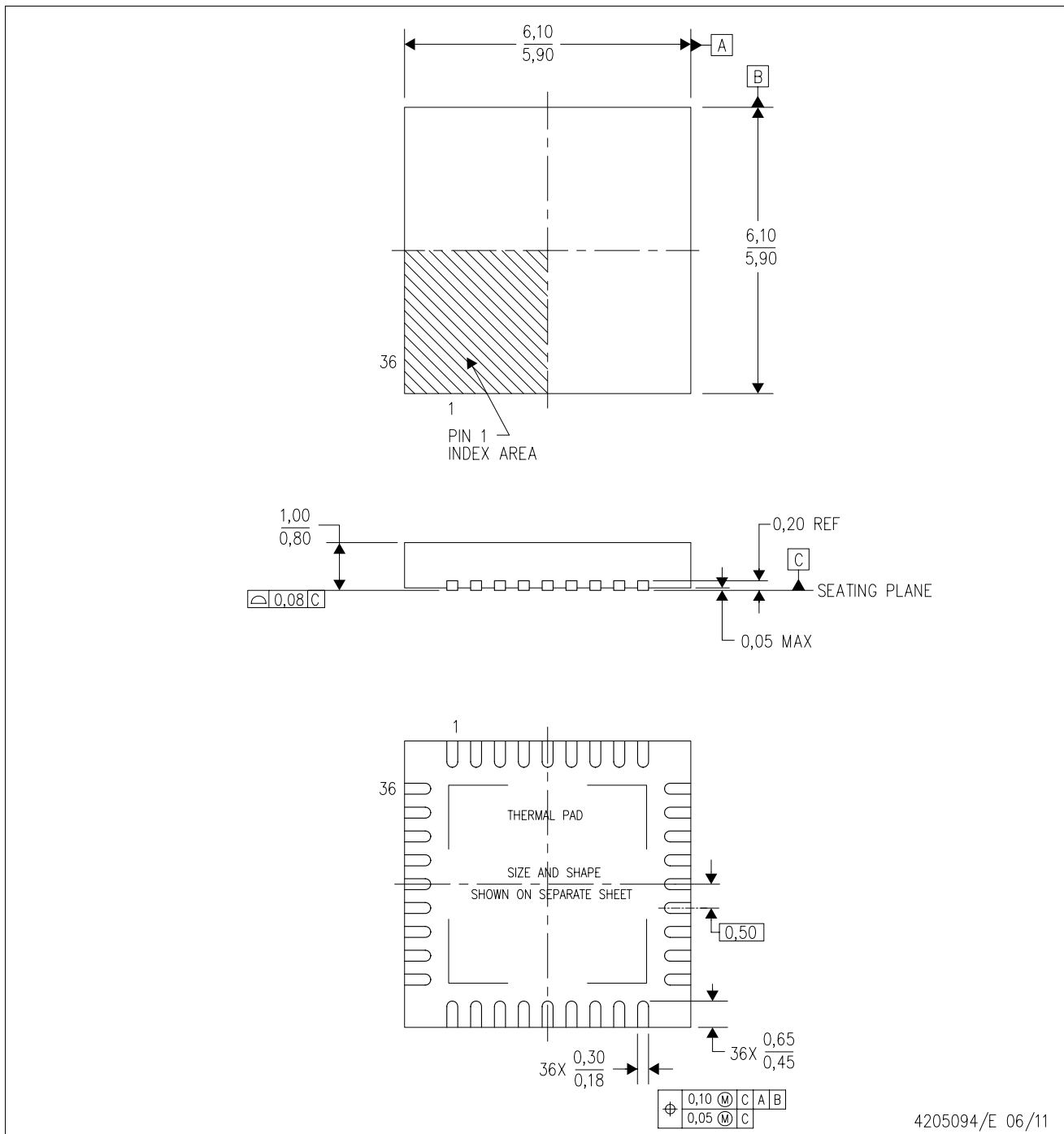

*All dimensions are nominal

Device	Package Type	Package Drawing	Pins	SPQ	Length (mm)	Width (mm)	Height (mm)
PGA400QRHHTEP	VQFN	RHH	36	250	210.0	185.0	35.0

MECHANICAL DATA

RHH (S-PVQFN-N36)

PLASTIC QUAD FLATPACK NO-LEAD



- NOTES:
- A. All linear dimensions are in millimeters. Dimensioning and tolerancing per ASME Y14.5M-1994.
 - B. This drawing is subject to change without notice.
 - C. QFN (Quad Flatpack No-Lead) Package configuration.
 - D. The package thermal pad must be soldered to the board for thermal and mechanical performance.
 - E. See the additional figure in the Product Data Sheet for details regarding the exposed thermal pad features and dimensions.
 - F. Falls within JEDEC MO-220.

THERMAL PAD MECHANICAL DATA

RHH (S-PVQFN-N36)

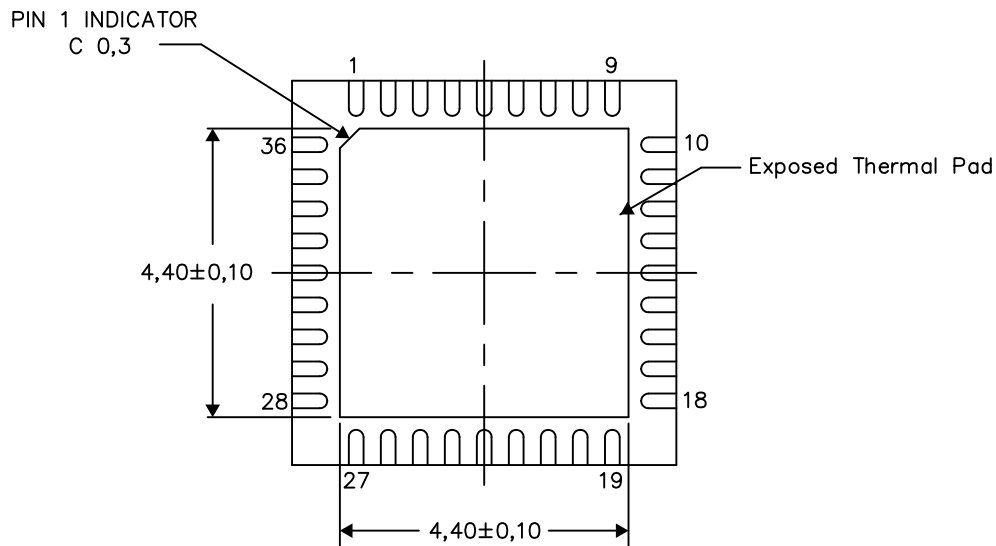
PLASTIC QUAD FLATPACK NO-LEAD

THERMAL INFORMATION

This package incorporates an exposed thermal pad that is designed to be attached directly to an external heatsink. The thermal pad must be soldered directly to the printed circuit board (PCB). After soldering, the PCB can be used as a heatsink. In addition, through the use of thermal vias, the thermal pad can be attached directly to the appropriate copper plane shown in the electrical schematic for the device, or alternatively, can be attached to a special heatsink structure designed into the PCB. This design optimizes the heat transfer from the integrated circuit (IC).

For information on the Quad Flatpack No-Lead (QFN) package and its advantages, refer to Application Report, QFN/SON PCB Attachment, Texas Instruments Literature No. SLUA271. This document is available at www.ti.com.

The exposed thermal pad dimensions for this package are shown in the following illustration.



Bottom View

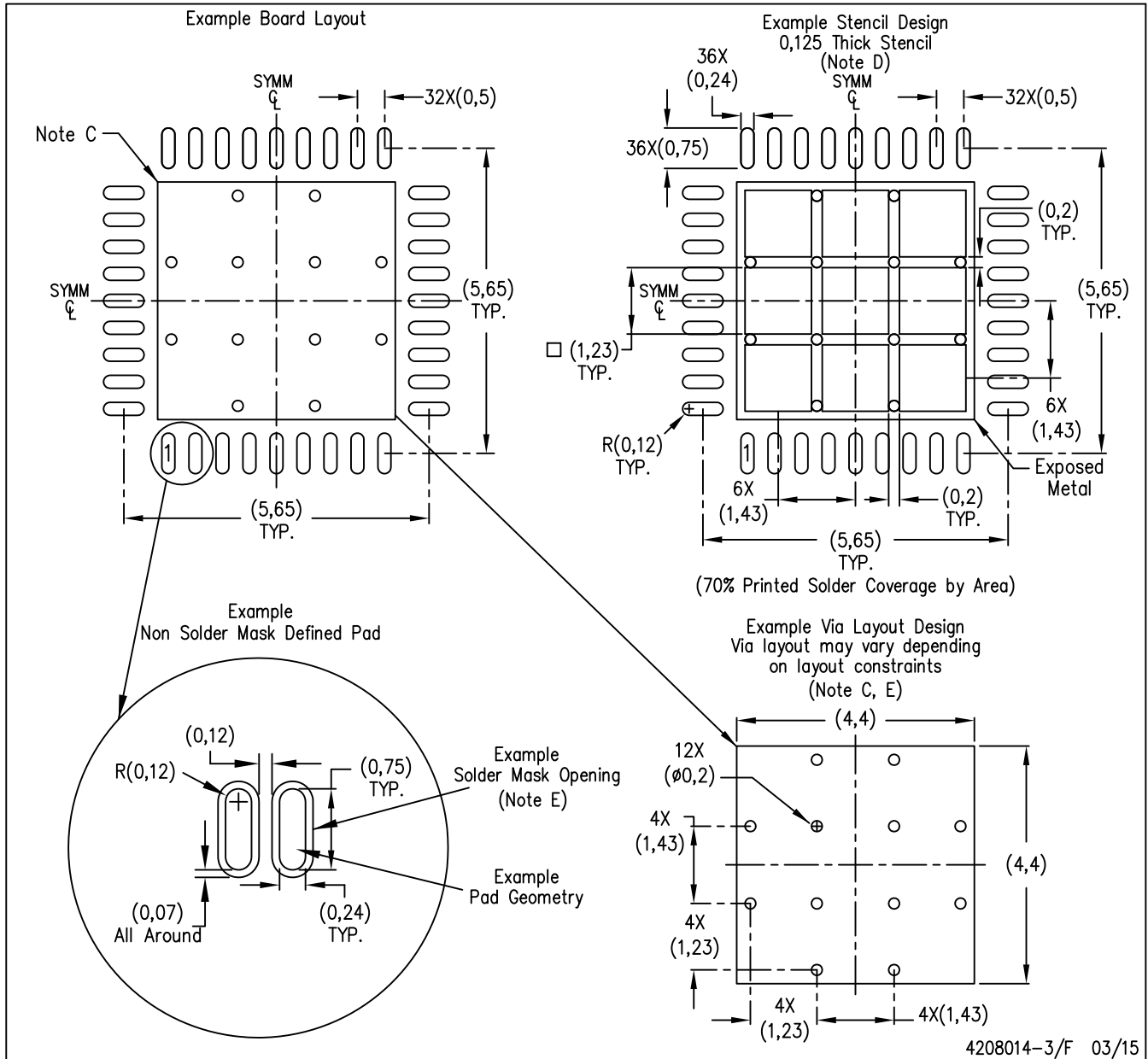
Exposed Thermal Pad Dimensions

4206362-5/M 11/13

NOTE: All linear dimensions are in millimeters

RHH (S-PVQFN-N36)

PLASTIC QUAD FLATPACK NO-LEAD



- NOTES:
- A. All linear dimensions are in millimeters.
 - B. This drawing is subject to change without notice.
 - C. This package is designed to be soldered to a thermal pad on the board. Refer to Application Note, Quad Flat-Pack Packages, Texas Instruments Literature No. SLUA271, and also the Product Data Sheets for specific thermal information, via requirements, and recommended board layout. These documents are available at www.ti.com <<http://www.ti.com>>.
 - D. Laser cutting apertures with trapezoidal walls and also rounding corners will offer better paste release. Customers should contact their board assembly site for stencil design recommendations. Refer to IPC 7525 for stencil design considerations.
 - E. Customers should contact their board fabrication site for recommended solder mask tolerances and via tenting recommendations for any larger diameter vias placed in the thermal pad.

IMPORTANT NOTICE

Texas Instruments Incorporated and its subsidiaries (TI) reserve the right to make corrections, enhancements, improvements and other changes to its semiconductor products and services per JESD46, latest issue, and to discontinue any product or service per JESD48, latest issue. Buyers should obtain the latest relevant information before placing orders and should verify that such information is current and complete. All semiconductor products (also referred to herein as "components") are sold subject to TI's terms and conditions of sale supplied at the time of order acknowledgment.

TI warrants performance of its components to the specifications applicable at the time of sale, in accordance with the warranty in TI's terms and conditions of sale of semiconductor products. Testing and other quality control techniques are used to the extent TI deems necessary to support this warranty. Except where mandated by applicable law, testing of all parameters of each component is not necessarily performed.

TI assumes no liability for applications assistance or the design of Buyers' products. Buyers are responsible for their products and applications using TI components. To minimize the risks associated with Buyers' products and applications, Buyers should provide adequate design and operating safeguards.

TI does not warrant or represent that any license, either express or implied, is granted under any patent right, copyright, mask work right, or other intellectual property right relating to any combination, machine, or process in which TI components or services are used. Information published by TI regarding third-party products or services does not constitute a license to use such products or services or a warranty or endorsement thereof. Use of such information may require a license from a third party under the patents or other intellectual property of the third party, or a license from TI under the patents or other intellectual property of TI.

Reproduction of significant portions of TI information in TI data books or data sheets is permissible only if reproduction is without alteration and is accompanied by all associated warranties, conditions, limitations, and notices. TI is not responsible or liable for such altered documentation. Information of third parties may be subject to additional restrictions.

Resale of TI components or services with statements different from or beyond the parameters stated by TI for that component or service voids all express and any implied warranties for the associated TI component or service and is an unfair and deceptive business practice. TI is not responsible or liable for any such statements.

Buyer acknowledges and agrees that it is solely responsible for compliance with all legal, regulatory and safety-related requirements concerning its products, and any use of TI components in its applications, notwithstanding any applications-related information or support that may be provided by TI. Buyer represents and agrees that it has all the necessary expertise to create and implement safeguards which anticipate dangerous consequences of failures, monitor failures and their consequences, lessen the likelihood of failures that might cause harm and take appropriate remedial actions. Buyer will fully indemnify TI and its representatives against any damages arising out of the use of any TI components in safety-critical applications.

In some cases, TI components may be promoted specifically to facilitate safety-related applications. With such components, TI's goal is to help enable customers to design and create their own end-product solutions that meet applicable functional safety standards and requirements. Nonetheless, such components are subject to these terms.

No TI components are authorized for use in FDA Class III (or similar life-critical medical equipment) unless authorized officers of the parties have executed a special agreement specifically governing such use.

Only those TI components which TI has specifically designated as military grade or "enhanced plastic" are designed and intended for use in military/aerospace applications or environments. Buyer acknowledges and agrees that any military or aerospace use of TI components which have **not** been so designated is solely at the Buyer's risk, and that Buyer is solely responsible for compliance with all legal and regulatory requirements in connection with such use.

TI has specifically designated certain components as meeting ISO/TS16949 requirements, mainly for automotive use. In any case of use of non-designated products, TI will not be responsible for any failure to meet ISO/TS16949.

Products

Audio	www.ti.com/audio
Amplifiers	amplifier.ti.com
Data Converters	dataconverter.ti.com
DLP® Products	www.dlp.com
DSP	dsp.ti.com
Clocks and Timers	www.ti.com/clocks
Interface	interface.ti.com
Logic	logic.ti.com
Power Mgmt	power.ti.com
Microcontrollers	microcontroller.ti.com
RFID	www.ti-rfid.com
OMAP Applications Processors	www.ti.com/omap
Wireless Connectivity	www.ti.com/wirelessconnectivity

Applications

Automotive and Transportation	www.ti.com/automotive
Communications and Telecom	www.ti.com/communications
Computers and Peripherals	www.ti.com/computers
Consumer Electronics	www.ti.com/consumer-apps
Energy and Lighting	www.ti.com/energy
Industrial	www.ti.com/industrial
Medical	www.ti.com/medical
Security	www.ti.com/security
Space, Avionics and Defense	www.ti.com/space-avionics-defense
Video and Imaging	www.ti.com/video

TI E2E Community

e2e.ti.com