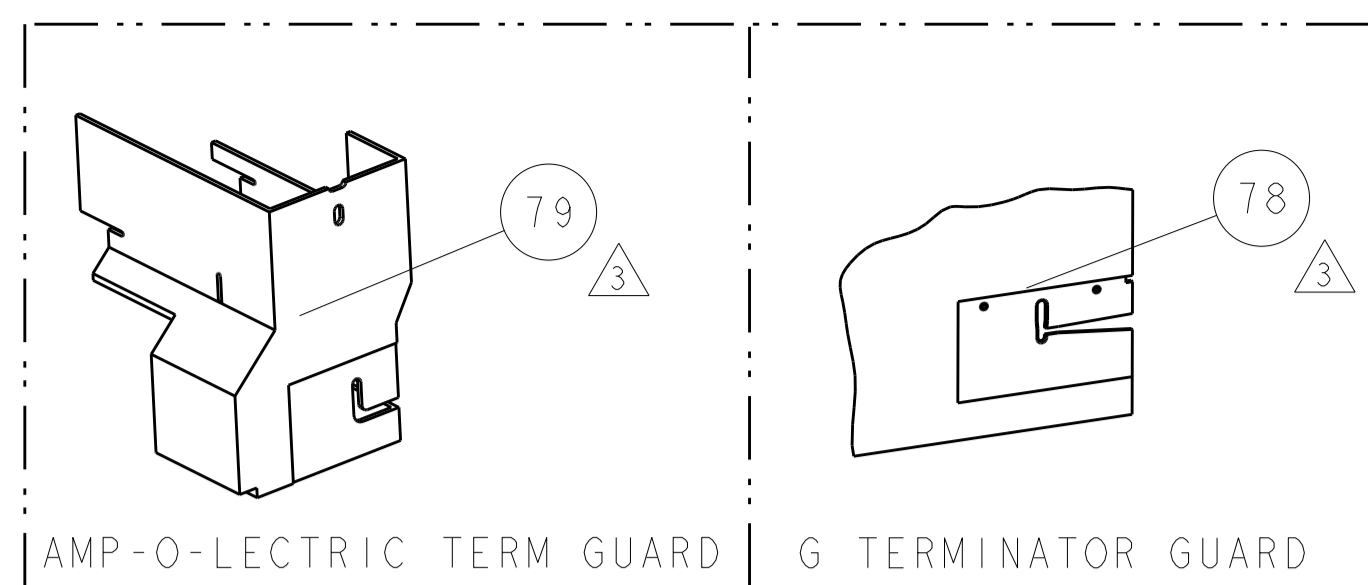


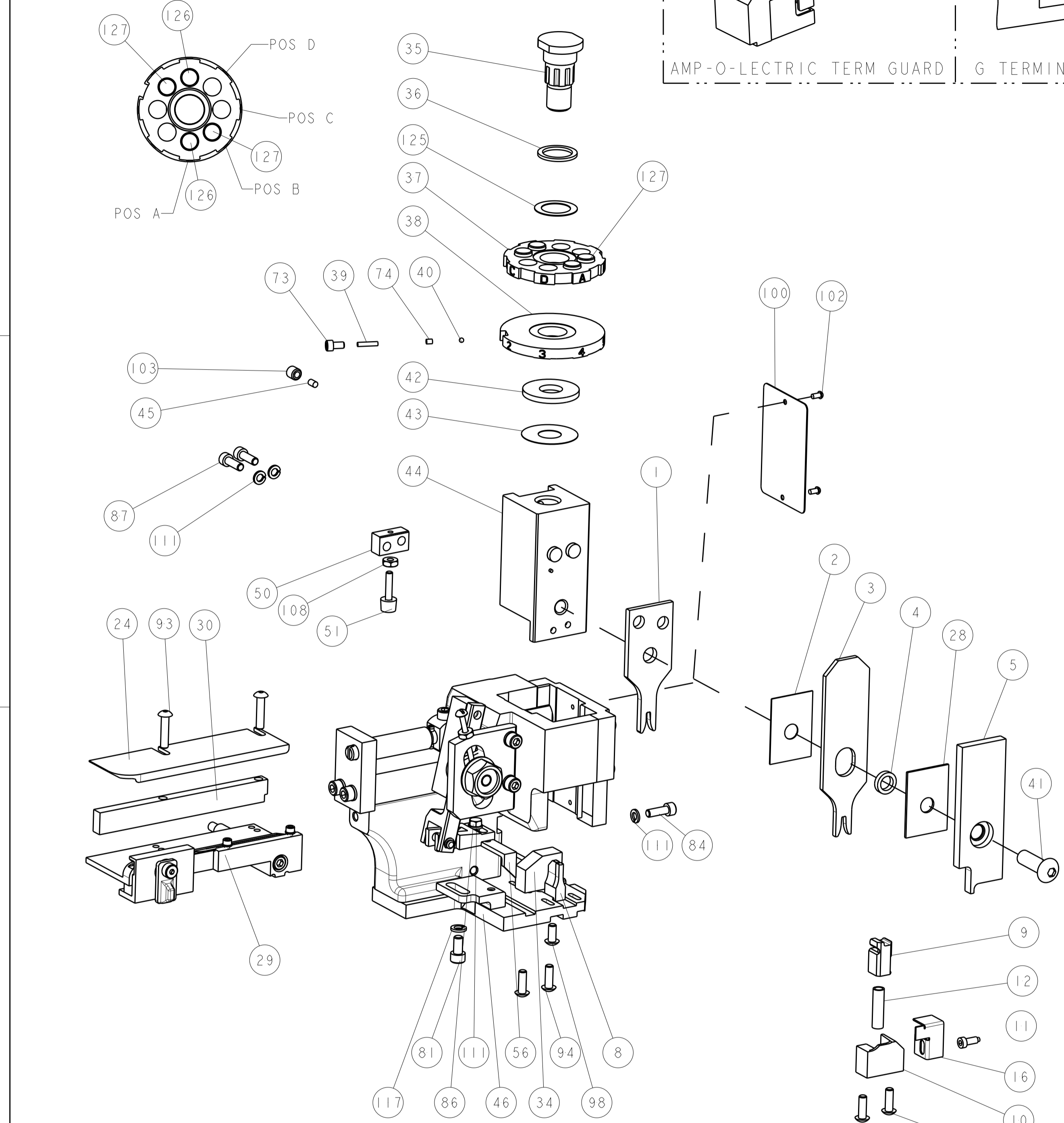
THIS DRAWING IS UNPUBLISHED. RELEASED FOR PUBLICATION. 20

PART NUMBER	REV	FIRST USED	POWER UNIT	FEED TYPE
1385838-1	B	122500-1	LEADMAKER	POST FEED
1385838-2	B	565435-5	BENCH MODEL K	PRE FEED
1385838-3	B	354500-1	BENCH MODEL G	PRE FEED



TERMINAL NAME: NSF-0.3				
TE PN	MFR PN	MITSUBISHI TERMINAL AND CRIMP SPECS		
1642755-1	MT095-94280			
		PAD LTR	CRIMP HEIGHT	WIRE SIZE
-	-	A	.053±.002[1.35±0.05mm]	1.25 mm ²
-	-	B	.045±.002[1.14±0.05mm]	0.85 mm ²
-	-	C		
-	-	D		
SEAL PN.		CRIMP	SIZE	TYPE RANGE
-	-	WIRE	.092 [2.34mm]	F 1.25-.085mm ²
-	-	INSUL	.112 [2.84mm]	F 2.3mm MAX
WIRE STRIP LENGTH	TERM APPL SPEC	FEED	APPL INSTRUCTIONS	SET UP GAGE
.177-.216	NONE	.591	408-8040	458637-1

REV A		REVISIONS			
LOC	DIST	REV	DATE	BY	CHK
A	66	A	RELEASD	22OCT2004	LG
		A1	ECR-06-014575	15JUN2006	MY
		B	ECR-10-016956	16AUG2010	MY
		B1	ECR-15-004917	27MAR2015	JH



△ RECOMMENDED SPARE PARTS
 △ 2 GREASE LIGHTLY
 △ 3 GUARD MUST BE IN PLACE WHEN OPERATING APPLICATOR IN A BENCH MACHINE

-	-	-	-	-	-	-	129
-	-	-	-	-	-	-	128
-	-	-	-	-	-	-	127
2	2	2	-	4-354779-0	PIN, WIRE DISC, .3190	-	126
2	2	2	-	2-354779-4	PIN, WIRE DISC, .3110	-	125
1	1	1	-	986950-1	WASHER, FLAT PRECISION	-	124
1	1	1	-	217238-1	GENERAL INSTRUCTION PKG	-	123
1	1	1	-	4088040	SF APPL INST 408-8040	-	122
-	-	-	-	-	-	-	121
-	-	-	-	-	-	-	120
-	-	-	-	-	-	-	119
-	-	-	-	-	-	-	118
1	1	1	-	21024-5	WASHER, SPRG LOCK, REG NO 10	-	117
-	-	-	-	-	-	-	116
-	-	-	-	-	-	-	115
-	-	-	-	-	-	-	114
-	-	-	-	-	-	-	113
-	-	-	-	-	-	-	112
4	4	4	-	21024-4	WASHER, SPRG LOCK, REG NO 8	-	111
-	-	-	-	-	-	-	110
-	-	-	-	-	-	-	109
1	1	1	-	21018-5	NUT, HEX, REG 6-32	-	108
-	-	-	-	-	-	-	107
-	-	-	-	-	-	-	106
-	-	-	-	-	-	-	105
-	-	-	-	-	-	-	104
1	1	1	-	21009-2	SCR, SET, SELF LOCKING 1/4-20 X .250	-	103
2	2	2	-	21017-2	SCREW, DRIVE	-	102
-	-	-	-	-	-	-	101
1	1	1	-	461264-1	PLATE, IDENTIFICATION	-	100
-	-	-	-	-	-	-	99
1	1	1	-	22733-8	SCR, BHSC, SELF-LOCKING, 8-32 X .375	-	98
-	-	-	-	-	-	-	97
-	-	-	-	-	-	-	96
-	-	-	-	-	-	-	95
4	4	4	-	2-21002-2	SCR, BTN SKT HD CAP 8-32 X .500	-	94
2	2	2	-	2-21002-4	SCR, BTN SKT HD CAP 8-32 X .750	-	93
-	-	-	-	-	-	-	92
1	1	1	-	1-21002-7	SCR, BTN SKT HD CAP 6-32 X .375	-	91
-	-	-	-	-	-	-	90
-	-	-	-	-	-	-	89
-	-	-	-	-	-	-	88
-	-	-	-	-	-	-	87
2	2	2	-	2-21000-7	SCR, SKT HD CAP 8-32 X .500	-	86
1	1	1	-	2-22603-0	SCR, HEX HD CAP 8-32 X .312	-	85
-	-	-	-	-	-	-	84
1	1	1	-	2-21000-7	SCR, SKT HD CAP 8-32 X .500	-	83
-	-	-	-	-	-	-	82
-	-	-	-	-	-	-	81
1	1	1	-	3-21000-4	SCR, SKT HD CAP 10-32 X .375	-	80
-	-	-	-	-	-	-	79
-	REF	-	-	455749-1	GUARD WINDOW	-	78
-	REF	-	-	679532-1	INSERT, GUARD	-	77
-	-	-	-	-	-	-	76
-	-	-	-	-	-	-	75
-	-	-	-	-	-	-	74
1	1	1	-	690603-1	SPRING ASSIST AMP-O-MATOR APPLICATOR	-	73
-3	-2	-1	U/M	PART NO	DESCRIPTION	ITEM NO	

ITEM NO	DESCRIPTION	ITEM NO
73	SCR, SKT HD CAP 6-32 X .25	
72		
71		
70		
69		
68		
67		
66		
65		
64		
63		
62		
61		
60		
59		
58		
57		
56	PAWL, FEED	
55		
54		
53		
52		
51	BUMPER, HOLD DOWN	
50	SPACER, TONKER	
49	CAM, PRE FEED, 1 5/8	
48	CAM, POST FEED, 1 1/8	
47	CAM, POST-FEED 1 5/8	
46	APPL. BASIC SUB ASSEMBLY	
45	PLUG, NYLON	
44	RAM	
43	SHIM SUB-ASSY	
42	WASHER, RAM (.115)	
41	SCR, BTN SKT HD CAP 5/16-24 X 1.00	
40	BALL, STEEL	
39	SPRING, COMPRESSION	
38	DISC, INSULATION	
37	WIRE DISC, ASSEMBLY	
36	SPRING, COMPRESSION	
35	POST, RAM	
34	TERMINAL SUPPORT	
33		
32		
31		
30	SPACER, STRIP GUIDE	
29	ASSEMBLY, STRIP GUIDE	
28	SPACER, CRIMPER	
27		
26		
25		
24	STRIP GUIDE	
23		
22	STRIPPER	
21		
20		
19	STRIPPER	
18		
17		
16	GUARD, FRONT CHIP	
15		
14		
13		
12	SPRING, COMPRESSION	
11	STOP, SHEAR	
10	SHEAR HOLDER, FRONT	
9	FLOATING SHEAR, FRONT	
8	ANVIL, COMBINATION	
7		
6		
5	DEPRESSOR, SHEAR	
4	BLOCK, CRIMPER SPACER	
3	CRIMPER, INSULATION F	
2	SPACER, CRIMPER	
1	CRIMPER, WIRE	

