



Total Power International, Inc.

OUTPUT VOLTAGE / CURRENT RATINGS CHART

TPSU45 Series

SINGLE OUTPUT

MODEL NO.	MAIN VO1 ★@#	
	Typ.	Volt.
TPSU45-10/(E)	9.0A	5.0V
TPSU45-11	4.0A	12.0V
TPSU45-11/(E)	3.7A	12.0V
TPSU45-12/(E)	3.0A	15.0V
TPSU45-13/(E)	2.0A	24.0V

(E) With gas-tube for safety purpose.

DUAL OUTPUT

MODEL NO.	MAIN VO1 ★@#		AUX. VO2 ◇●	
	Typ.	Volt.	Typ.	Volt.
TPSU45-20	4.0A	5.0V	2.0A	12.0V
TPSU45-21	2.0A	12.0V	1.5A	12.0V
TPSU45-22	4.0A	5.0V	1.2A	15.0V
TPSU45-23	1.5A	15.0V	1.5A	15.0V
TPSU45-24	4.0A	5.0V	1.0A	24.0V
TPSU45-25	1.0A	24.0V	1.0A	24.0V

TRIPLE OUTPUT

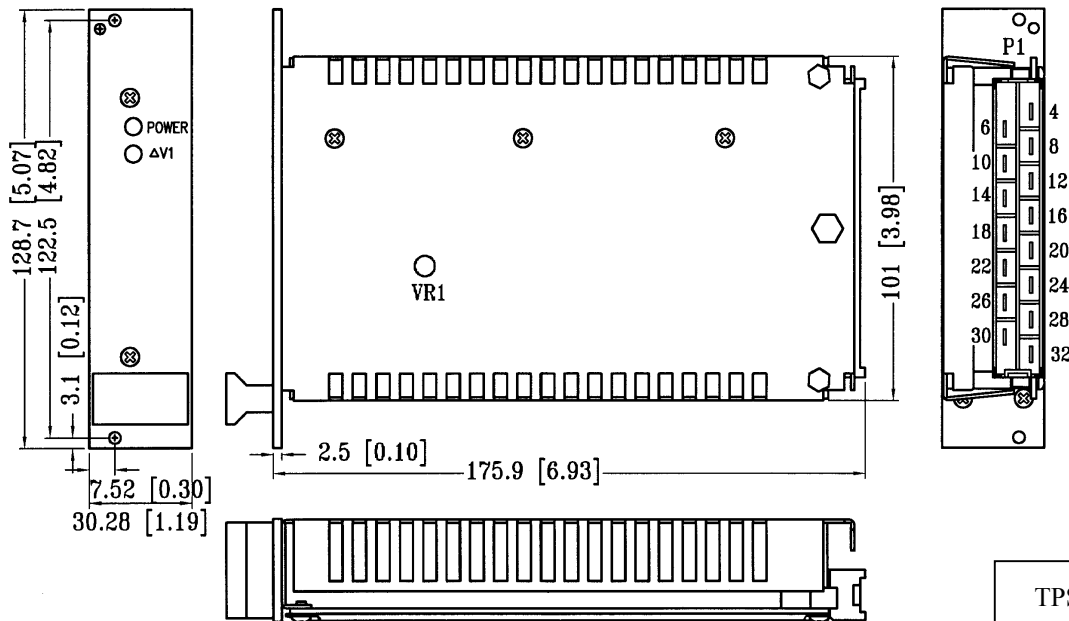
MODEL NO.	MAIN VO1 ★@#		AUX. VO2 ◇●		AUX. VO3 ◇●	
	Typ.	Volt.	Typ.	Volt.	Typ.	Volt.
TPSU45-30	3.0A	5.0V	2.0A	12.0V	0.5A	5.0V
TPSU45-31	3.0A	5.0V	2.0A	15.0V	0.5A	15.0V
TPSU45-32	3.0A	5.0V	2.0A	12.0V	0.5A	12.0V
TPSU45-33	3.0A	5.0V	1.0A	24.0V	0.5A	12.0V

Symbol: "★" OVP built-in. "@#" Adjustable. "#" Remote sensing. "▲" Magnetic Amplifier.

"●" Installed with Post Regulator. "◇" Floating (or isolated) output.

MECHANICAL DIMENSIONS: MM [INCHES]

WEIGHT: TPSU45 537.0g (18.94 Oz.)



INPUT & OUTPUT CONNECTORS PIN ASSIGNMENTS

ASSIGNMENT	AC INPUT			SINGLE/DUAL/TRIPLE OUTPUT						ASSORTED SIGNAL				
	AC-L	AC-N	AC-G	+VO1	-VO1	+VO2	-VO2	+VO3	-VO3	NC	LOG. INH.	+S	-S	POWER FAIL
TPSU45-1X	28	30	32	4,6	12,14	-	-	-	-	16,18,24,26	20	8	10	22
TPSU45-2X	28	30	32	4	6	8	10	-	-	12,14,16,18,24,26	20	-	-	22
TPSU45-3X	28	30	32	4,6,	8,10	12	14	16	18	24,26	20	-	-	22

Mating connector: DIN41612-H15 Female



Total Power International, Inc.

OUTPUT VOLTAGE / CURRENT RATINGS CHART

TPSU60 Series

SINGLE OUTPUT

MODEL NO.	MAIN VO1 ★@#	
	Typ.	Volt.
TPSU60-10	12.0A	5.0V
TPSU60-10B1	10.0A	6.0V
TPSU60-11	5.0A	12.0V
TPSU60-12	4.0A	15.0V
TPSU60-13	2.5A	24.0V
TPSU60-15	3.0A	19.0V

DUAL OUTPUT

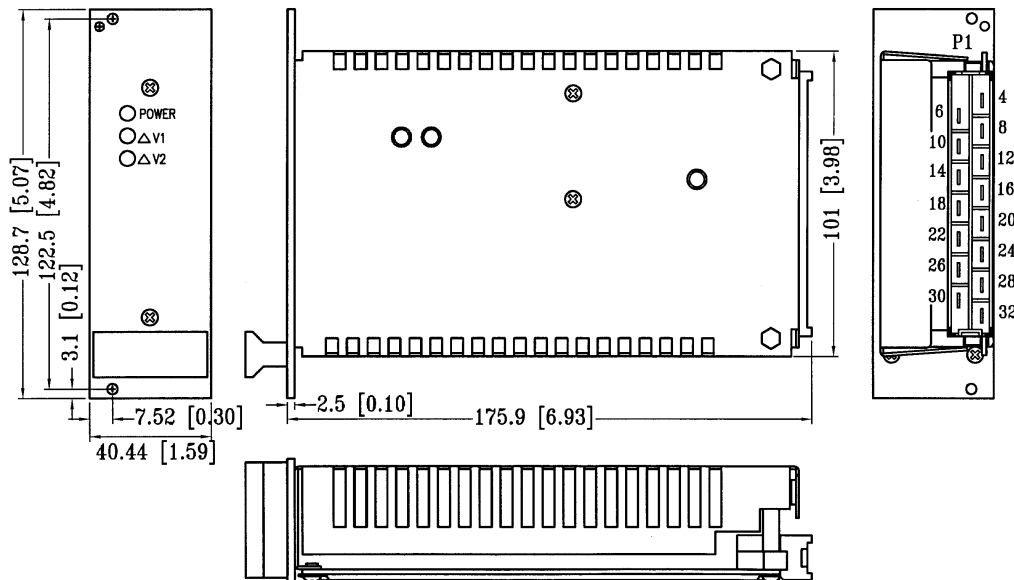
MODEL NO.	MAIN VO1 ★@#		AUX. VO2 ◇▲	
	Typ.	Volt.	Typ.	Volt.
TPSU60-20	5.0A	5.0V	3.0A	12.0V
TPSU60-21	2.5A	12.0V	2.5A	12.0V
TPSU60-22	5.0A	5.0V	2.5A	15.0V
TPSU60-23	2.0A	15.0V	2.0A	15.0V
TPSU60-24	5.0A	5.0V	1.5A	24.0V
TPSU60-25	1.4A	24.0V	1.4A	24.0V

TRIPLE OUTPUT

MODEL NO.	MAIN VO1 ★@#		AUX. VO2 ◇▲		AUX. VO3 ◇●	
	Typ.	Volt.	Typ.	Volt.	Typ.	Volt.
TPSU60-30	5.0A	5.0V	2.5A	12.0V	1.0A	5.0V
TPSU60-31	5.0A	5.0V	2.0A	12.0V	0.5A	15.0V
TPSU60-32	5.0A	5.0V	2.5A	12.0V	0.5A	12.0V
TPSU60-33	5.0A	5.0V	1.5A	24.0V	0.5A	12.0V

Symbol: "★" OVP built-in. "@# Adjustable. "# Remote sensing. "▲" Magnetic Amplifier.
 "●" Installed with Post Regulator. "◇" Floating(or isolated) output.

MECHANICAL DIMENSIONS: MM [INCHES]WEIGHT: TPSU60 707.0g (24.94 Oz.)



TPSU60

INPUT & OUTPUT CONNECTORS PIN ASSIGNMENTS

ASSIGNMENT	AC INPUT			SINGLE/DUAL/TRIPLE OUTPUT						ASSORTED SIGNAL				
	AC-L	AC-N	AC-G	+VO1	-VO1	+VO2	-VO2	+VO3	-VO3	NC	LOG. INH.	+S	-S	POWER FAIL
TPSU60-1X	28	30	32	4,6	12,14	-	-	-	-	16,18,24,26	20	8	10	22
TPSU60-2X	28	30	32	4	6	8	10	-	-	12,14,16,18,24,26	20	-	-	22
TPSU60-3X	28	30	32	4,6,	8,10	12	14	16	18	24,26	20	-	-	22

Mating connector: DIN41612-H15 Female



Total Power International, Inc.

OUTPUT VOLTAGE / CURRENT RATINGS CHART

TPSU100 Series

SINGLE OUTPUT

MODEL NO.	MAIN VO1 ★@# Typ. Volt.
TPSU100-10	20.0A 5.0V
TPSU100-11	8.0A 12.0V
TPSU100-12	7.0A 15.0V
TPSU100-13	4.2A 24.0V
TPSU100-16	3.6A 28.0V
TPSU100-18	2.0A 48.0V

DUAL OUTPUT

MODEL NO.	MAIN VO1 ★@# Typ. Volt.	AUX. VO2 ◇▲ Typ. Volt.
TPSU100-20	8.0A 5.0V	5.0A 12.0V
TPSU100-21	4.2A 12.0V	4.2A 12.0V
TPSU100-22	8.0A 5.0V	4.0A 15.0V
TPSU100-23	3.4A 15.0V	3.4A 15.0V
TPSU100-24	8.0A 5.0V	2.5A 24.0V
TPSU100-25	2.1A 24.0V	2.1A 24.0V
TPSU100-26E	8.0A 12.0V	0.5A 24.0V

TRIPLE OUTPUT

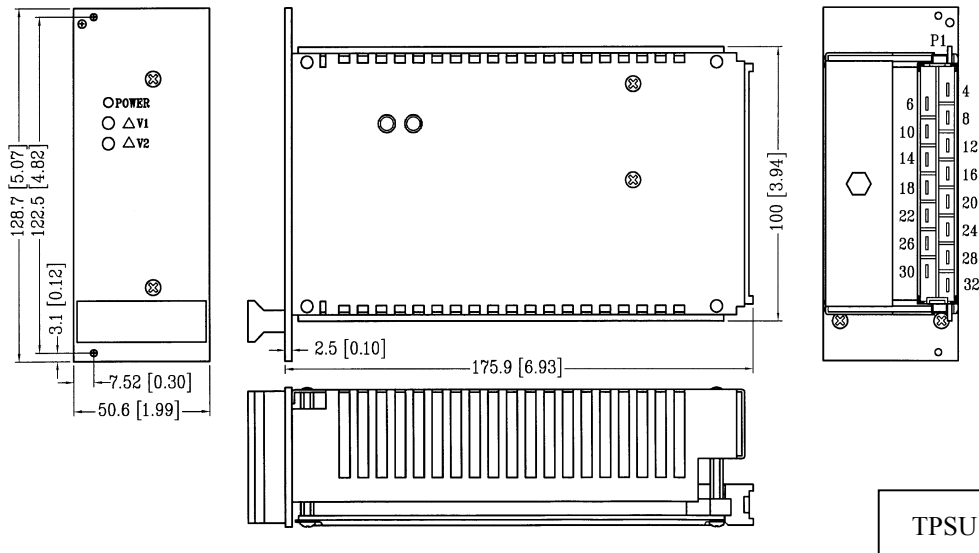
MODEL NO.	MAIN VO1 ★@# Typ. Volt.	AUX. VO2 ◇▲ Typ. Volt.	AUX. VO3 ◇● Typ. Volt.
TPSU100-30	7.0A 5.0V	5.0A 12.0V	1.0A 5.0V
TPSU100-31	6.0A 5.0V	4.0A 15.0V	0.6A 15.0V
TPSU100-32	7.0A 5.0V	5.0A 12.0V	0.5A 12.0V
TPSU100-33	7.0A 5.0V	2.5A 24.0V	0.5A 12.0V

QUAD OUTPUT

MODEL NO.	MAIN VO1 ★@# Typ. Volt.	AUX. VO2 ■† Typ. Volt.	AUX. VO3 ◇● Typ. Volt.	AUX. VO4 ◇● Typ. Volt.
TPSU100-48	4.0A 12.0V	2.0A 24.0V	0.5A 12.0V	0.5A 12.0V
TPSU100-Q050MII	10.0A 5.0V	1.0A 24.0V	1.0A 12.0V	1.0A 12.0V
TPSU100-Q050QII	10.0A 5.0V	1.0A 48.0V	0.5A 12.0V	0.5A 12.0V

Symbol: "★" OVP built-in. "@#" Adjustable. "#" Remote sensing. "▲" Magnetic Amplifier. "●" Installed with Post Regulator.
 "†" Stacked on main output. "◇" Floating(or isolated) output. "■" Couple common choke.

MECHANICAL DIMENSIONS: MM [INCHES]WEIGHT: TPSU100 943.0g (33.26 Oz.)



INPUT & OUTPUT CONNECTORS PIN ASSIGNMENTS

ASSIGNMENT	AC INPUT			SINGLE/DUAL/TRIPLE/QUAD OUTPUT								ASSORTED SIGNAL				
	AC-L	AC-N	AC-G	+VO1	-VO1	+VO2	-VO2	+VO3	-VO3	+VO4	-VO4	NC	LOG. INH.	+S	-S	POWER FAIL
TPSU100-1X	28	30	32	4,6	12,14	-	-	-	-	-	-	16,18,24,26	20	8	10	22
TPSU100-2X	28	30	32	4	6	8	10	-	-	-	-	12,14,16,18,24,26	20	-	-	22
TPSU100-3X	28	30	32	4,6	8,10	12	14	16	18	-	-	24,26	20	-	-	22
TPSU100-4X	28	30	32	4	-	10	-	12	14	16	18	6,8,20,22,24	-	-	-	-

Mating connector: DIN41612-H15 Female