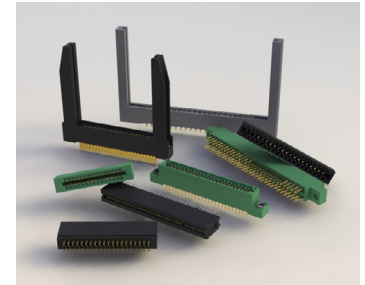


341/391 SERIES

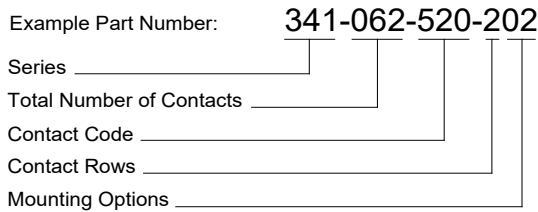


Card Edge Connectors 0.100" (3.96mm) Pitch

- 0.156" (3.96mm) contact spacing x 0.200" (5.08mm) row spacing
- Accepts 0.062" (1.57mm) nominal thickness P.C. board
- Low profile insulator body, 0.473" (12.01mm)
- Contact termination 0.045" (1.14mm) square wire wrap
- Single or dual row configurations
- Large variety of mounting options
- Pre-assembled card guides available
- Accepts between contact and in-contact polarizing keys
- RoHS Compliant



Insulator Material	UL 94V-0 Thermoplastic Polyester
Contact Material	Copper Alloy
Contact Plating	Gold Plating on mating area and Tin Plating on tails with Nickel underplating all over
Current Rating	3 amps
Contact Resistance	10 milliohms maximum
Dielectric Withstanding Voltage	1200 V AC rms at sea level between adjacent contacts
Insulation Resistance	5000 megaohms minimum
Operating Temperature	-40°C to +105°C
Insertion Force	16 oz (4.45 N) maximum per contact pair when tested with .070" (1.78mm) thick gauge
Withdrawal Force	1 oz (0.28 N) minimum per contact pair when tested with .054" (1.37mm) thick gauge



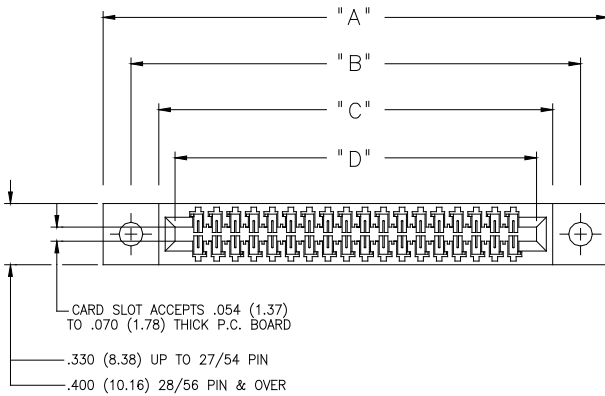
Series:	Insulator Color:		
341	Green		
391	Black		
Total Number of Contacts:	Contact Rows:		
005, 006, . . . 060	Single Row		
010, 012, . . . 120	Dual Row		
Contact Code:	Tail Description:	Tail Size:	Tail Length "G":
500	Wire Hole	.050 x .013 (1.27 x 0.33)	.220 (5.59)
520	P.C. Tail	.025 x .013 (0.64 x 0.33)	.125 (3.18)
521	P.C. Tail	.025 x .013 (0.64 x 0.33)	.260 (6.60)
522	P.C. Tail	.025 x .013 (0.64 x 0.33)	.375 (9.53)
524	P.C. Tail	.025 x .013 (0.64 x 0.33)	.100 (2.54)
555	Extender Board Bend	(Code 500 Contacts)	
556	Extender Board Bend	(Code 521 Contacts)	

Contact Rows:	Description:
1	Single Row
2	Dual Row
Mounting Options:	Description:
01	No Mounting Lug
02	Ø.128" (Ø3.25mm) Mounting Holes
03	Ø.116" (Ø2.95mm) I.D. Floating Eyelets
04	Ø.156" (Ø3.96mm) Mounting Holes
07	M3-0.5 Metric Threaded Inserts
08	#4-40 Unified Threaded Inserts

Mounting Options:	Description:
01	No Mounting Lug
02	Ø.128" (Ø3.25mm) Mounting Holes
03	Ø.116" (Ø2.95mm) I.D. Floating Eyelets
04	Ø.156" (Ø3.96mm) Mounting Holes
07	M3-0.5 Metric Threaded Inserts
08	#4-40 Unified Threaded Inserts
58	.468" (11.89mm) Offset Card Guides

- Ordering Code Notes:**
- 1) All connector sizes up to 60 contacts single row / 120 contacts dual row are available upon request.
 - 2) The 500 contact code is only available in the 341 series. Green Diallyl Phthalate insulator material will be supplied.
 - 3) For details of the extender board bends refer to next pages.
 - 4) For details of the mounting options refer to page 3.

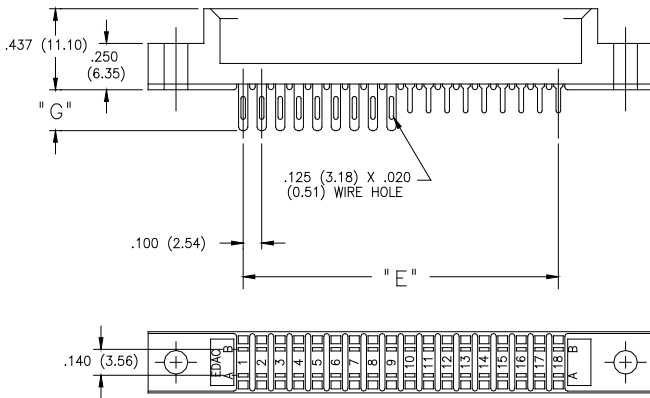
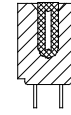
Card Edge Connectors 0.100" (3.96mm) Pitch



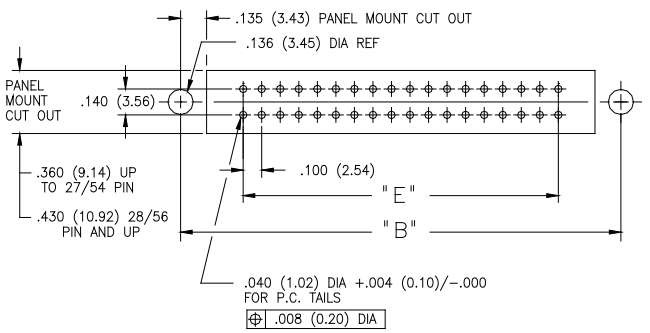
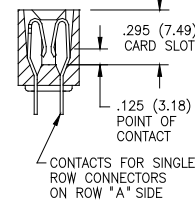
IN-CONTACT
POLARIZING KEY
P/N 321-240-328



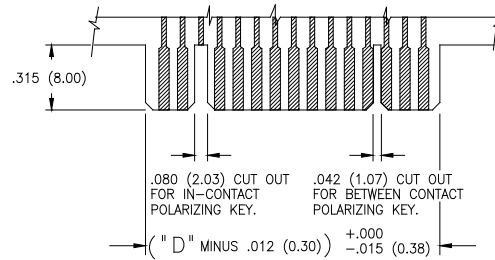
BETWEEN CONTACT
POLARIZING KEY
P/N 341-240-318



SECTION THROUGH
CONTACT POSITION



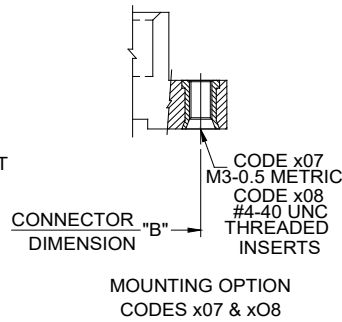
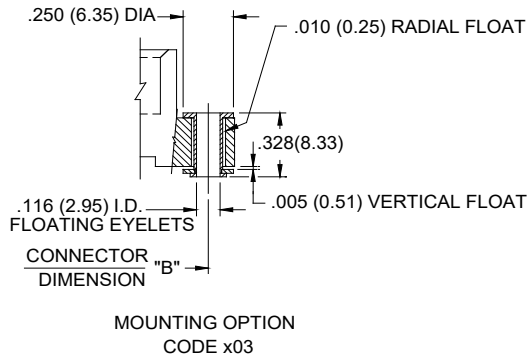
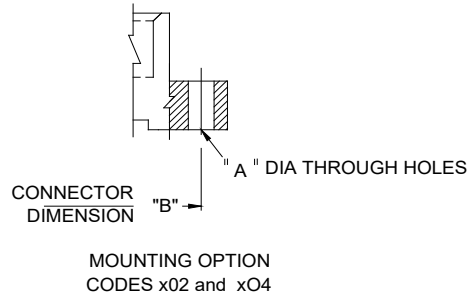
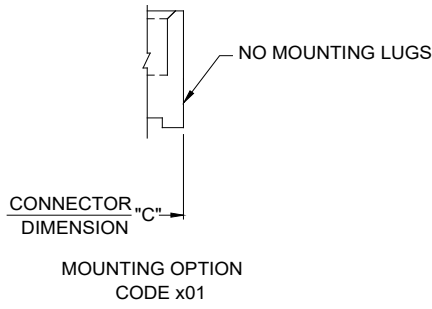
CONNECTOR MOUNTING PATTERN



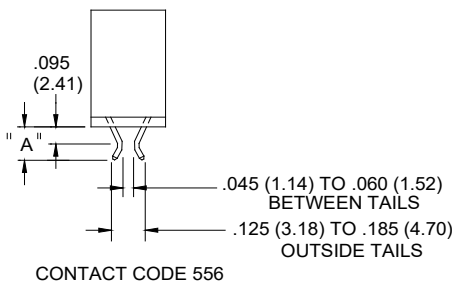
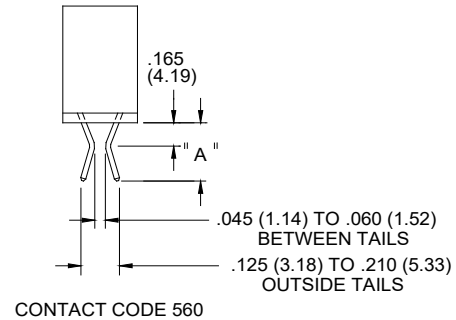
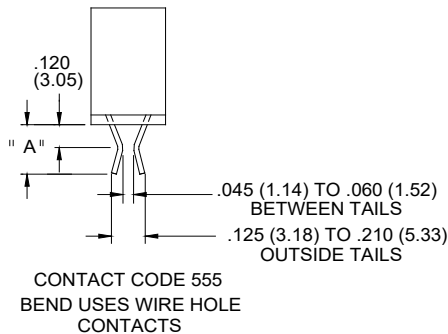
RECOMMENDED DAUGHTER BOARD

NUMBER OF CONTACTS		"A"		"B"		"C"		"D"		"D"	
Single	Double	Inch	mm	Inch	mm	Inch	mm	Inch	mm	Inch	mm
5	10	1.375	(34.93)	1.075	(27.31)	0.775	(19.69)	0.600	(15.24)	0.400	(10.16)
6	12	1.475	(37.47)	1.175	(29.85)	0.875	(22.23)	0.700	(17.78)	0.500	(12.7)
10	20	1.875	(47.63)	1.575	(40.01)	1.275	(32.39)	1.100	(27.94)	0.900	(22.86)
15	30	2.375	(60.33)	2.075	(52.71)	1.775	(45.09)	1.600	(40.64)	1.400	(35.56)
18	36	2.675	(67.95)	2.375	(60.33)	2.075	(52.71)	1.900	(48.26)	1.700	(43.18)
22	44	3.075	(78.11)	2.775	(70.49)	2.475	(62.87)	2.300	(58.42)	2.100	(53.34)
25	50	3.375	(85.73)	3.075	(78.11)	2.775	(70.49)	2.600	(66.04)	2.400	(60.96)
28	56	3.675	(93.35)	3.375	(85.73)	3.075	(78.11)	2.900	(73.66)	2.700	(68.58)
30	60	3.875	(98.43)	3.575	(90.81)	3.275	(83.19)	3.100	(78.74)	2.900	(73.66)
36	72	4.475	(113.67)	4.175	(106.05)	3.875	(98.43)	3.700	(93.98)	3.500	(88.9)
40	80	4.875	(123.83)	4.575	(116.21)	4.275	(108.59)	4.100	(104.14)	3.900	(99.06)
43	86	5.175	(131.45)	4.875	(123.83)	4.575	(116.21)	4.400	(111.76)	4.200	(106.68)
50	100	5.875	(149.23)	5.575	(141.61)	5.275	(133.99)	5.100	(129.54)	4.900	(124.46)
60	120	6.875	(174.63)	6.575	(167.01)	6.275	(159.39)	6.100	(154.94)	5.900	(149.86)

Card Edge Connectors 0.100" (3.96mm) Pitch



CODE X02 AND X04- THROUGH MTG. HOLES		
	CODE X02	CODE X04
"A" DIA.	0.128(3.25)	0.156(3.96)
CODE X07 AND X08- THREADED INSERTS		
	CODE X07	CODE X08
INSERT	M3-0.5(METRIC)	#4-40 UNC



MTG. OPTION	A
555	0.205(5.21)
556	0.235(5.97)
560	0.365(9.27)