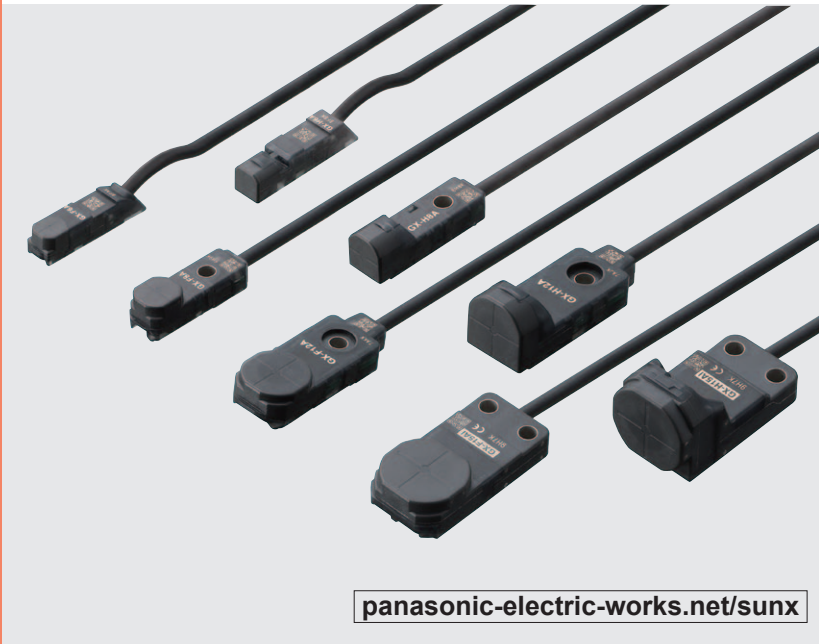


# GX-F/H SERIES

Related Information

- General terms and conditions..... F-17
- Sensor selection guide ..... P.757~
- Glossary of terms..... P.1386~
- General precautions ..... P.1405



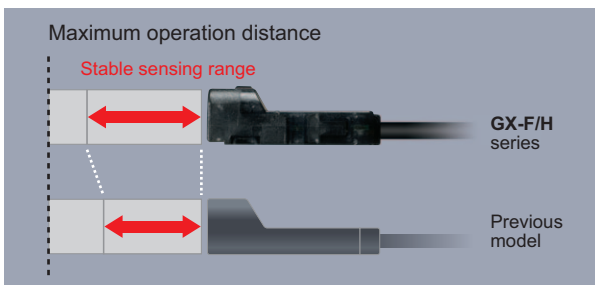
[panasonic-electric-works.net/sunx](http://panasonic-electric-works.net/sunx)

## Industry No. 1\* in stable sensing

\* Based on research conducted by Panasonic Electric Works SUNX as of August 2010 among equivalent rectangular inductive sensors.

### Can be installed with ample space

This sensor has the longest stable sensing range among the same level of rectangular inductive proximity sensors in the industry. It is easy to install the sensor.



Type	Maximum operation distance	Stable sensing range	
		GX-F/H series	Previous model
GX-□6	1.6 mm 0.063 in	0 to 1.3 mm 0.051 in	0 to 1.2 mm 0.047 in
GX-□8	2.5 mm 0.098 in	0 to 2.1 mm 0.083 in	0 to 1.8 mm 0.709 in
GX-□12	4.0 mm 0.157 in	0 to 3.3 mm 0.130 in	0 to 3.0 mm 0.118 in
GX-□15	5.0 mm 0.197 in	0 to 4.2 mm 0.165 in	0 to 4.0 mm 0.157 in
Long sensing range	8.0 mm 0.315 in	0 to 6.7 mm 0.264 in	0 to 6.4 mm 0.252 in

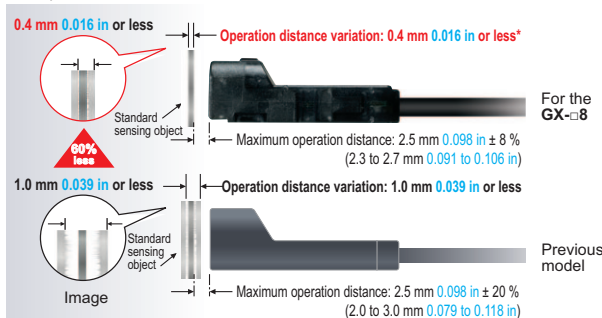
\* With standard sensing object

### Variation at the maximum operation distance is within ±8 %

Thorough adjustment and control of sensing sensitivity greatly reduces individual sensor differences and variations.

The work of adjusting sensor positions when using multiple sensors and when sensors have been replaced is much easier.

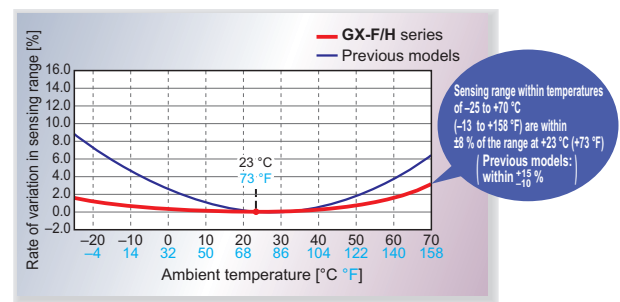
Example: GX-□8



\* Not including temperature characteristics.

### Temperature characteristics vary within ±8 %

Components such as the sensor coil and core and product design have been totally revised to provide excellent temperature characteristics. Stable sensing can be obtained regardless of the time of day or the yearly season.



\* Typical

- FIBER SENSORS
- LASER SENSORS
- PHOTOELECTRIC SENSORS
- MICRO PHOTOELECTRIC SENSORS
- AREA SENSORS
- LIGHT CURTAINS
- PRESSURE / FLOW SENSORS
- INDUCTIVE PROXIMITY SENSORS**
- PARTICULAR USE SENSORS
- SENSOR OPTIONS
- SIMPLE WIRE- SAVING UNITS
- WIRE- SAVING SYSTEMS
- MEASUREMENT SENSORS
- STATIC CONTROL DEVICES
- ENDOSCOPE
- LASER MARKERS
- PLC / TERMINALS
- HUMAN MACHINE INTERFACES
- ENERGY CONSUMPTION VISUALIZATION COMPONENTS
- FA COMPONENTS
- MACHINE VISION SYSTEMS
- UV CURING SYSTEMS
- Selection Guide
- Amplifier Built-in
- Amplifier-separated

GX-F/H

GXL

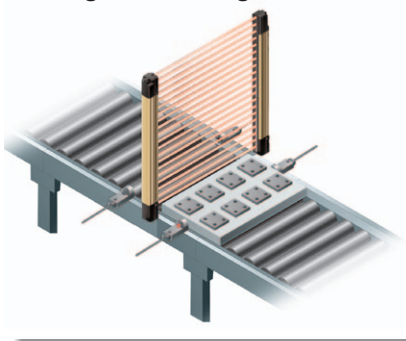
GL

GX-U/GX-FU/GX-N

GX

## APPLICATIONS

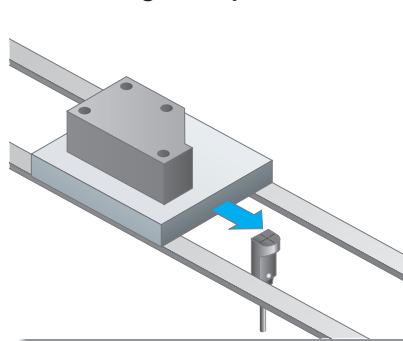
### Muting control of light curtains



### Positioning processing equipment



### Positioning metal pallets

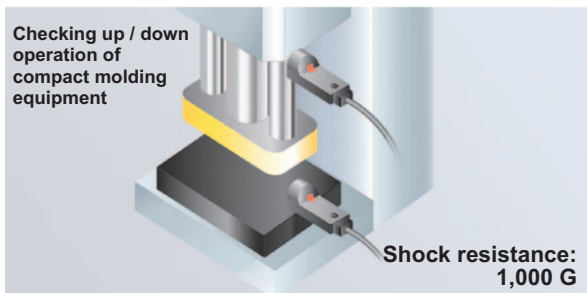


## ENVIRONMENTAL RESISTANCE

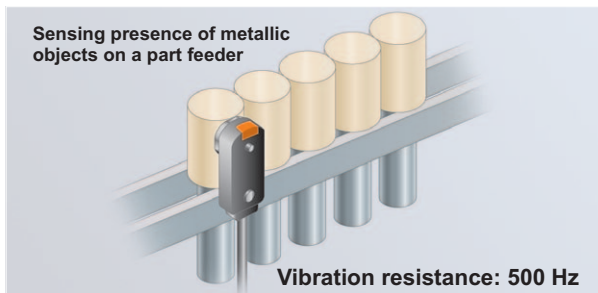
### 10 times the durability! (Compared to previous models)

The new integrated construction method used provides shock resistance of 10,000 m/s<sup>2</sup> (approx. 1,000 G in X, Y and Z directions for three times each), and vibration resistance clears durability tests of between 10 and 500 Hz (3 mm 0.118 in amplitude in X, Y and Z directions for 2 hours each). In addition, resistance to impulse noise is approx. three times greater than for previous models.

Checking up / down operation of compact molding equipment



Sensing presence of metallic objects on a part feeder



### Highly resistant to water or oil! IP68g\* protective construction

The new integrated construction method used improves environmental resistance performance. The IP68g prevents damage to the sensor by stopping water and oil getting inside.

\* For details, refer to the "SPECIFICATIONS".



## FUNCTIONS

### Indicators are easy to see over a wide field of view

A prism with a wide field of view has been developed. This has greatly improved the visibility of the operation indicators.

GX-H□



GX-F□



## MOUNTING

### Tightening strength increased with no damage! (excluding GX-□6)

A metal sleeve has been inserted. It prevents the sensor from being damaged by tightening too much.

GX-□8, GX-□12



GX-□15



### Conductor thickness doubled to make wiring much easier! (GX-□6/□8 only)

The conductor's thickness was doubled for the GX-□6/□8. This makes it easier to handle and perform crimping work on the cables. In addition, the tensile strength of the crimping area has become higher.

0.08 mm<sup>2</sup>  
Previous model



0.15 mm<sup>2</sup>  
GX-□8



FIBER SENSORS

LASER SENSORS

PHOTOELECTRIC SENSORS

MICRO PHOTOELECTRIC SENSORS

AREA SENSORS

LIGHT CURTAINS

PRESSURE / FLOW SENSORS

INDUCTIVE PROXIMITY SENSORS

PARTICULAR USE SENSORS

SENSOR OPTIONS

SIMPLE WIRE-SAVING UNITS

WIRE-SAVING SYSTEMS

MEASUREMENT SENSORS

STATIC CONTROL DEVICES

ENDSCOPE

LASER MARKERS

PLC / TERMINALS

HUMAN MACHINE INTERFACES

ENERGY CONSUMPTION VISUALIZATION COMPONENTS

FA COMPONENTS

MACHINE VISION SYSTEMS

UV CURING SYSTEMS

Selection Guide

Amplifier Built-in  
Amplifier-separated

GX-F/H

GXL

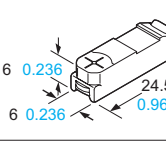
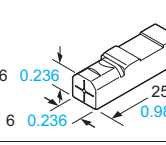
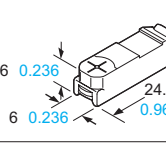
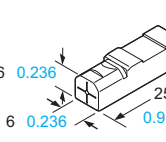
GL

GX-U/GX-FU/  
GX-N

GX

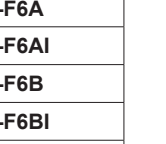

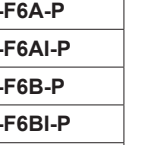
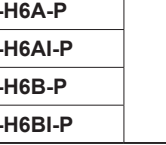
**ORDER GUIDE**

**GX-6 type**

Type	Appearance (mm in)	Sensing range (Note 1)	Model No. (Note 2)	Output	Output operation
NPN output	Front sensing 	<p>Maximum operation distance</p> <p>1.6 mm 0.063 in</p> <p>Stable sensing range</p> <p>(0 to 1.3 mm 0 to 0.051 in)</p>	GX-F6A	NPN open-collector transistor	Normally open
			GX-F6AI		Normally closed
			GX-F6B		Normally open
	GX-H6A		Normally closed		
	GX-H6AI		Normally open		
	GX-H6B		Normally closed		
Top sensing 	GX-F6A-P	Normally open			
	GX-F6AI-P	Normally closed			
	GX-F6B-P	Normally open			
PNP output	Front sensing 	<p>Maximum operation distance</p> <p>1.6 mm 0.063 in</p> <p>Stable sensing range</p> <p>(0 to 1.3 mm 0 to 0.051 in)</p>	GX-H6A	PNP open-collector transistor	Normally open
			GX-H6AI		Normally closed
			GX-H6B		Normally open
	GX-F6A-P		Normally closed		
	GX-F6AI-P		Normally open		
	GX-F6B-P		Normally closed		
Top sensing 	GX-H6A-P	Normally open			
	GX-H6AI-P	Normally closed			
	GX-H6B-P	Normally open			
			GX-H6BI-P		Normally closed

Notes: 1) The maximum operation distance stands for the maximum distance for which the sensor can detect the standard sensing object. The stable sensing range stands for the sensing range for which the sensor can stably detect the standard sensing object even if there is an ambient temperature drift and/or supply voltage fluctuation.  
2) "I" in the model No. indicates a different frequency type.

**GX-8 type**

Type	Appearance (mm in)	Sensing range (Note 1)	Model No. (Note 2)	Output	Output operation
NPN output	Front sensing 	<p>Maximum operation distance</p> <p>2.5 mm 0.098 in</p> <p>Stable sensing range</p> <p>(0 to 2.1 mm 0 to 0.083 in)</p>	GX-F8A	NPN open-collector transistor	Normally open
			GX-F8AI		Normally closed
			GX-F8B		Normally open
	GX-H8A		Normally closed		
	GX-H8AI		Normally open		
	GX-H8B		Normally closed		
Top sensing 	GX-F8A-P	Normally open			
	GX-F8AI-P	Normally closed			
	GX-F8B-P	Normally open			
PNP output	Front sensing 	<p>Maximum operation distance</p> <p>2.5 mm 0.098 in</p> <p>Stable sensing range</p> <p>(0 to 2.1 mm 0 to 0.083 in)</p>	GX-H8A	PNP open-collector transistor	Normally open
			GX-H8AI		Normally closed
			GX-H8B		Normally open
	GX-F8A-P		Normally closed		
	GX-F8AI-P		Normally open		
	GX-F8B-P		Normally closed		
Top sensing 	GX-H8A-P	Normally open			
	GX-H8AI-P	Normally closed			
	GX-H8B-P	Normally open			
			GX-H8BI-P		Normally closed

Notes: 1) The maximum operation distance stands for the maximum distance for which the sensor can detect the standard sensing object. The stable sensing range stands for the sensing range for which the sensor can stably detect the standard sensing object even if there is an ambient temperature drift and/or supply voltage fluctuation.  
2) "I" in the model No. indicates a different frequency type.

FIBER SENSORS  
LASER SENSORS  
PHOTO-ELECTRIC SENSORS  
MICRO PHOTO-ELECTRIC SENSORS  
AREA SENSORS  
LIGHT CURTAINS  
PRESSURE / FLOW SENSORS  
INDUCTIVE PROXIMITY SENSORS  
PARTICULAR USE SENSORS  
SENSOR OPTIONS  
SIMPLE WIRE-SAVING UNITS  
WIRE-SAVING SYSTEMS  
MEASUREMENT SENSORS  
STATIC CONTROL DEVICES

ENDOSCOPE  
LASER MARKERS  
PLC / TERMINALS  
HUMAN MACHINE INTERFACES  
ENERGY CONSUMPTION VISUALIZATION COMPONENTS  
FA COMPONENTS  
MACHINE VISION SYSTEMS  
UV CURING SYSTEMS  
Selection Guide  
Amplifier Built-in  
Amplifier-separated  
**GX-F/H**  
GXL  
GL  
GX-4/GX-FU/  
GX-N  
GX

**ORDER GUIDE**

**GX-12 type**

Type	Appearance (mm in)	Sensing range (Note 1)	Model No. (Note 2)	Output	Output operation		
NPN output			GX-F12A	NPN open-collector transistor	Normally open		
			GX-F12AI		Normally closed		
			GX-F12B		Normally open		
	GX-F12BI		Normally closed				
	GX-H12A		Normally open				
	GX-H12AI		Normally closed				
Top sensing			GX-H12B	PNP open-collector transistor	Normally open		
			GX-H12BI		Normally closed		
			GX-F12A-P		Normally open		
GX-F12AI-P	Normally closed						
GX-F12B-P	Normally open						
GX-F12BI-P	Normally closed						
PNP output			GX-H12A-P	PNP open-collector transistor	Normally open		
			GX-H12AI-P		Normally closed		
			GX-H12B-P		Normally open		
GX-H12BI-P	Normally closed						
Top sensing					GX-F12A-P	PNP open-collector transistor	Normally open
					GX-F12AI-P		Normally closed
		GX-F12B-P		Normally open			
GX-F12BI-P	Normally closed						
GX-H12A-P	Normally open						
GX-H12AI-P	Normally closed						
GX-H12B-P	Normally open						
GX-H12BI-P	Normally closed						

Notes: 1) The maximum operation distance stands for the maximum distance for which the sensor can detect the standard sensing object.  
 The stable sensing range stands for the sensing range for which the sensor can stably detect the standard sensing object even if there is an ambient temperature drift and/or supply voltage fluctuation.  
 2) " I " in the model No. indicates a different frequency type.

**GX-15 type**

Type	Appearance (mm in)	Sensing range (Note 1)	Model No. (Note 2)	Output	Output operation		
NPN output			GX-F15A	NPN open-collector transistor	Normally open		
			GX-F15AI		Normally closed		
			GX-F15B		Normally open		
	GX-F15BI		Normally closed				
	GX-H15A		Normally open				
	GX-H15AI		Normally closed				
Top sensing			GX-H15B	PNP open-collector transistor	Normally open		
			GX-H15BI		Normally closed		
			GX-F15A-P		Normally open		
GX-F15AI-P	Normally closed						
GX-F15B-P	Normally open						
GX-F15BI-P	Normally closed						
PNP output			GX-H15A-P	PNP open-collector transistor	Normally open		
			GX-H15AI-P		Normally closed		
			GX-H15B-P		Normally open		
GX-H15BI-P	Normally closed						
Top sensing					GX-F15A-P	PNP open-collector transistor	Normally open
					GX-F15AI-P		Normally closed
		GX-F15B-P		Normally open			
GX-F15BI-P	Normally closed						
GX-H15A-P	Normally open						
GX-H15AI-P	Normally closed						
GX-H15B-P	Normally open						
GX-H15BI-P	Normally closed						

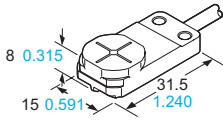
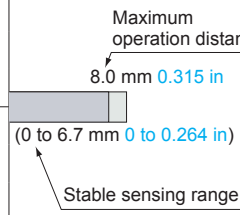
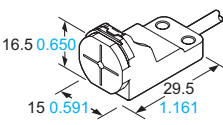
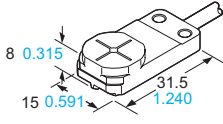
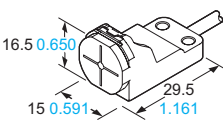
Notes: 1) The maximum operation distance stands for the maximum distance for which the sensor can detect the standard sensing object.  
 The stable sensing range stands for the sensing range for which the sensor can stably detect the standard sensing object even if there is an ambient temperature drift and/or supply voltage fluctuation.  
 2) " I " in the model No. indicates a different frequency type.

FIBER SENSORS  
 LASER SENSORS  
 PHOTO-ELECTRIC SENSORS  
 MICRO PHOTO-ELECTRIC SENSORS  
 AREA SENSORS  
 LIGHT CURTAINS  
 PRESSURE / FLOW SENSORS  
 INDUCTIVE PROXIMITY SENSORS  
 PARTICULAR USE SENSORS  
 SENSOR OPTIONS  
 SIMPLE WIRE-SAVING UNITS  
 WIRE-SAVING SYSTEMS  
 MEASUREMENT SENSORS  
 STATIC CONTROL DEVICES

ENDOSCOPE  
 LASER MARKERS  
 PLC / TERMINALS  
 HUMAN MACHINE INTERFACES  
 ENERGY CONSUMPTION VISUALIZATION COMPONENTS  
 FA COMPONENTS  
 MACHINE VISION SYSTEMS  
 UV CURING SYSTEMS  
 Selection Guide  
 Amplifier Built-in  
 Amplifier-separated  
**GX-F/H**  
**GXL**  
**GL**  
 GX-U/GX-FU/  
 GX-N  
**GX**

**ORDER GUIDE**

**GX-15 (Long sensing range) type**

Type	Appearance (mm in)	Sensing range (Note 1)	Model No. (Note 2)	Output	Output operation
NPN output	Front sensing 		<b>GX-FL15A</b>	NPN open-collector transistor	Normally open
			<b>GX-FL15AI</b>		
			<b>GX-FL15B</b>		Normally closed
	Top sensing 		<b>GX-HL15A</b>		Normally open
			<b>GX-HL15AI</b>		Normally closed
			<b>GX-HL15B</b>		
PNP output	Front sensing 		<b>GX-FL15A-P</b>	PNP open-collector transistor	Normally open
			<b>GX-FL15AI-P</b>		Normally closed
			<b>GX-FL15B-P</b>		
	Top sensing 		<b>GX-HL15A-P</b>		Normally open
			<b>GX-HL15AI-P</b>		Normally closed
			<b>GX-HL15B-P</b>		

Notes: 1) The maximum operation distance stands for the maximum distance for which the sensor can detect the standard sensing object. The stable sensing range stands for the sensing range for which the sensor can stably detect the standard sensing object even if there is an ambient temperature drift and/or supply voltage fluctuation.  
2) "I" in the model No. indicates a different frequency type.

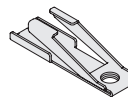
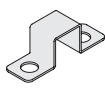

**5 m 16.404 ft cable length type, flexible cable type**

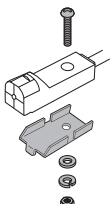
5 m 16.404 ft cable length type (standard: 1 m 3.281 ft) and flexible cable (excluding 5 m 16.404 ft cable length type) are available. However, long sensing range type is not available. When ordering 5 m 16.404 ft cable length type, suffix "-C5" to the model No. When ordering flexible cable type, suffix "-R" to the model No. (e.g.) 5 m 16.404 ft cable length type of GX-F15AI-P is "GX-F15AI-P-C5". Flexible cable type of GX-F15AI-P is "GX-F15AI-P-R".

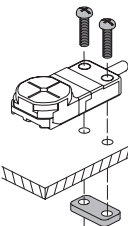
**OPTIONS**

Designation	Model No.	Description
Sensor mounting bracket	<b>MS-GX6-1</b>	Mounting bracket for <b>GX-6</b> type (recommended). Sensors can be mounted closely together for space-saving.
	<b>MS-GL6-1</b>	Mounting brackets for <b>GX-6</b> type Sensor mounting brackets for <b>GL-6</b> can be used. Interchange is possible.
	<b>MS-GL6-2</b>	
	<b>MS-GXL8-4</b>	Mounting bracket for <b>GX-8</b> type
	<b>MS-GXL15</b>	Mounting bracket for <b>GX-15</b> type
Aluminum sheet	<b>MS-A15F</b>	For <b>GX-FL15□(-P)</b>
	<b>MS-A15H</b>	For <b>GX-HL15□(-P)</b>

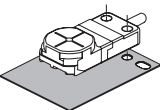
**Sensor mounting bracket**

- **MS-GX6-1**  Nut is not attached.
- **MS-GL6-1**  Nut is not attached.
- **MS-GL6-2**  Nut is not attached.

- **MS-GXL8-4**  1pc. each of M3 (length: 12 mm 0.472 in) truss head screw, nut, spring washer and plain washer is attached.

- **MS-GXL15**  Nut is not attached.

**Aluminum sheet**

- **MS-A15F**
- **MS-A15H** 

FIBER SENSORS  
LASER SENSORS  
PHOTO-ELECTRIC SENSORS  
MICRO PHOTO-ELECTRIC SENSORS  
AREA SENSORS  
LIGHT CURTAINS  
PRESSURE / FLOW SENSORS  
INDUCTIVE PROXIMITY SENSORS  
PARTICULAR USE SENSORS  
SENSOR OPTIONS  
SIMPLE WIRE-SAVING UNITS  
WIRE-SAVING SYSTEMS  
MEASUREMENT SENSORS  
STATIC CONTROL DEVICES  
ENDOSCOPE  
LASER MARKERS  
PLC / TERMINALS  
HUMAN MACHINE INTERFACES  
ENERGY CONSUMPTION VISUALIZATION COMPONENTS  
FA COMPONENTS  
MACHINE VISION SYSTEMS  
UV CURING SYSTEMS

Selection Guide  
Amplifier Built-in  
Amplifier-separated  
**GX-F/H**  
**GXL**  
**GL**  
GX-4/GX-FU/GX-N  
**GX**

## SPECIFICATIONS

### GX-6 type

Item	Model No. (Note 2)	Type	NPN output		PNP output	
		Front sensing	<b>GX-F6A(I)</b>	<b>GX-F6B(I)</b>	<b>GX-F6A(I)-P</b>	<b>GX-F6B(I)-P</b>
		Top sensing	<b>GX-H6A(I)</b>	<b>GX-H6B(I)</b>	<b>GX-H6A(I)-P</b>	<b>GX-H6B(I)-P</b>
Max. operation distance (Note 3)		1.6 mm <b>0.063 in</b> ± 8 %				
Stable sensing range (Note 3)		0 to 1.3 mm <b>0 to 0.051 in</b>				
Standard sensing object		Iron sheet 12 × 12 × t 1 mm <b>0.472 × 0.472 × t 0.039 in</b>				
Hysteresis		20 % or less of operation distance (with standard sensing object)				
Repeatability		Along sensing axis, perpendicular to sensing axis: 0.04 mm <b>0.0016 in</b> or less				
Supply voltage		12 to 24 V DC $^{+10}_{-15}$ % Ripple P-P 10 % or less				
Current consumption		15 mA or less				
Output		NPN open-collector transistor			PNP open-collector transistor	
		<ul style="list-style-type: none"> <li>• Maximum sink current: 100 mA</li> <li>• Applied voltage: 30 V DC or less (between output and 0 V)</li> <li>• Residual voltage: 2 V or less (at 100 mA sink current)</li> </ul>			<ul style="list-style-type: none"> <li>• Maximum source current: 100 mA</li> <li>• Applied voltage: 30 V DC or less (between output and +V)</li> <li>• Residual voltage: 2 V or less (at 100 mA source current)</li> </ul>	
Utilization category		DC-12 or DC-13				
Output operation		Normally closed	Normally closed	Normally closed	Normally closed	Normally closed
Max. response frequency		400 Hz				
Operation indicator		Orange LED (lights up when the output is ON)				
Environmental resistance	Pollution degree	3 (Industrial environment)				
	Protection	IP68 (IEC), IP68g (JEM) (Note 4, 5)				
	Ambient temperature	-25 to +70 °C <b>-13 to +158 °F</b> , Storage: -40 to +85 °C <b>-40 to +185 °F</b>				
	Ambient humidity	35 to 85 % RH, Storage: 35 to 95 % RH				
	EMC	EN 60947-5-2				
	Voltage withstandability	1,000 V AC for one min. between all supply terminals connected together and enclosure				
	Insulation resistance	50 MΩ, or more, with 500 V DC megger between all supply terminals connected together and enclosure				
	Vibration resistance	10 to 500 Hz frequency, 3 mm <b>0.118 in</b> amplitude (Max. 20 G) in X, Y and Z directions for two hours each				
Shock resistance	10,000 m/s <sup>2</sup> acceleration (1,000 G approx.) in X, Y and Z directions for three times each					
Sensing range variation	Temperature characteristics	Over ambient temperature range -25 to +70 °C <b>-13 to +158 °F</b> : Within ± 8 % of sensing range at +23 °C <b>+73 °F</b>				
	Voltage characteristics	Within ± 2 % for $^{+10}_{-15}$ % fluctuation of the supply voltage				
Material		Enclosure: PBT, Indicator part: Polyester				
Cable		0.15 mm <sup>2</sup> 3-core oil, heat and cold resistant cabtyre cable, 1 m <b>3.281 ft</b> long				
Cable extension		Extension up to total 100 m <b>328.084 ft</b> is possible with 0.3 mm <sup>2</sup> , or more, cable.				
Net weight		15 g approx.				

Notes: 1) Where measurement conditions have not been specified precisely, the conditions used were an ambient temperature of +23 °C **+73 °F**.

2) " I " in the model No. indicates a different frequency type.

3) The maximum operation distance stands for the maximum distance for which the sensor can detect the standard sensing object.

The stable sensing range stands for the sensing range for which the sensor can stably detect the standard sensing object even if there is an ambient temperature drift and/or supply voltage fluctuation.

4) Panasonic Electric Works SUNX's IP68 test method

① Immerse at 0 m below 0 °C **+32 °F** water surface and leave for 30 min. Then, immerse at 0 m below +70 °C **+158 °F** water surface and leave for 30 min.

② Regard the heat shock test in ① as one cycle and perform 20 cycles.

③ Leave in water at a depth of 1 m **3.281 ft** in water for 500 hours.

④ After tests ① to ③, insulation resistance, voltage withstandability, current consumption, and sensing range must meet the standard values.

5) If using the sensor in an environment where cutting oil droplets splatter, the sensor may be deteriorated due to added substances in the oil.

FIBER  
SENSORSLASER  
SENSORSPHOTO-  
ELECTRIC  
SENSORSMICRO  
PHOTO-  
ELECTRIC  
SENSORSAREA  
SENSORSLIGHT  
CURTAINSPRESSURE /  
FLOW  
SENSORSINDUCTIVE  
PROXIMITY  
SENSORSPARTICULAR  
USE  
SENSORSSENSOR  
OPTIONSSIMPLE  
WIRE-SAVING  
UNITSWIRE-SAVING  
SYSTEMSMEASURE-  
MENT  
SENSORSSTATIC  
CONTROL  
DEVICES

ENDOSCOPE

LASER  
MARKERSPLC /  
TERMINALSHUMAN  
MACHINE  
INTERFACESENERGY  
CONSUMPTION  
VISUALIZATION  
COMPONENTSFA  
COMPONENTSMACHINE  
VISION  
SYSTEMSUV  
CURING  
SYSTEMSSelection  
GuideAmplifier  
Built-inAmplifier-  
separated**GX-F/H****GXL****GL**GX-UGX-FU/  
GX-N**GX**

## SPECIFICATIONS

### GX-8 type

Item	Model No. (Note 2)	Type	NPN output		PNP output	
		Front sensing	<b>GX-F8A(I)</b>	<b>GX-F8B(I)</b>	<b>GX-F8A(I)-P</b>	<b>GX-F8B(I)-P</b>
		Top sensing	<b>GX-H8A(I)</b>	<b>GX-H8B(I)</b>	<b>GX-H8A(I)-P</b>	<b>GX-H8B(I)-P</b>
Max. operation distance (Note 3)		2.5 mm <b>0.098 in</b> ± 8 %				
Stable sensing range (Note 3)		0 to 2.1 mm <b>0 to 0.083 in</b>				
Standard sensing object		Iron sheet 15 × 15 × t 1 mm <b>0.591 × 0.591 × t 0.039 in</b>				
Hysteresis		20 % or less of operation distance (with standard sensing object)				
Repeatability		Along sensing axis, perpendicular to sensing axis: 0.04 mm <b>0.0016 in</b> or less				
Supply voltage		12 to 24 V DC <sup>+10%</sup> / <sub>-15%</sub> Ripple P-P 10 % or less				
Current consumption		15 mA or less				
Output		NPN open-collector transistor			PNP open-collector transistor	
		<ul style="list-style-type: none"> <li>Maximum sink current: 100 mA</li> <li>Applied voltage: 30 V DC or less (between output and 0 V)</li> <li>Residual voltage: 2 V or less (at 100 mA sink current)</li> </ul>			<ul style="list-style-type: none"> <li>Maximum source current: 100 mA</li> <li>Applied voltage: 30 V DC or less (between output and +V)</li> <li>Residual voltage: 2 V or less (at 100 mA source current)</li> </ul>	
Utilization category		DC-12 or DC-13				
Output operation		Normally open	Normally closed	Normally open	Normally closed	Normally closed
Max. response frequency		500 Hz				
Operation indicator		Orange LED (lights up when the output is ON)				
Environmental resistance		Pollution degree		3 (Industrial environment)		
		Protection		IP68 (IEC), IP68g (JEM) (Note 4, 5)		
		Ambient temperature		-25 to +70 °C <b>-13 to +158 °F</b> , Storage: -40 to +85 °C <b>-40 to +185 °F</b>		
		Ambient humidity		35 to 85 % RH, Storage: 35 to 95 % RH		
		EMC		EN 60947-5-2		
		Voltage withstandability		1,000 V AC for one min. between all supply terminals connected together and enclosure		
		Insulation resistance		50 MΩ, or more, with 500 V DC megger between all supply terminals connected together and enclosure		
		Vibration resistance		10 to 500 Hz frequency, 3 mm <b>0.118 in</b> amplitude (Max. 20 G) in X, Y and Z directions for two hours each		
Shock resistance		10,000 m/s <sup>2</sup> acceleration (1,000 G approx.) in X, Y and Z directions for three times each				
Sensing range variation		Temperature characteristics		Over ambient temperature range -25 to +70 °C <b>-13 to +158 °F</b> : Within ± 8 % of sensing range at +23 °C <b>+73 °F</b>		
		Voltage characteristics		Within ±2 % for <sup>+10%</sup> / <sub>-15%</sub> fluctuation of the supply voltage		
Material		Enclosure: PBT, Indicator part: Polyester				
Cable		0.15 mm <sup>2</sup> 3-core oil, heat and cold resistant cabtyre cable, 1 m <b>3.281 ft</b> long				
Cable extension		Extension up to total 100 m <b>328.084 ft</b> is possible with 0.3 mm <sup>2</sup> , or more, cable.				
Net weight		Front sensing type: 15 g approx., Top sensing type: 20 g approx..				

Notes: 1) Where measurement conditions have not been specified precisely, the conditions used were an ambient temperature of +23 °C **+73 °F**.

2) "I" in the model No. indicates a different frequency type.

3) The maximum operation distance stands for the maximum distance for which the sensor can detect the standard sensing object.

The stable sensing range stands for the sensing range for which the sensor can stably detect the standard sensing object even if there is an ambient temperature drift and/or supply voltage fluctuation.

4) Panasonic Electric Works SUNX's IP68 test method

① Immerse at 0 m below 0 °C **+32 °F** water surface and leave for 30 min. Then, immerse at 0 m below +70 °C **+158 °F** water surface and leave for 30 min.

② Regard the heat shock test in ① as one cycle and perform 20 cycles.

③ Leave in water at a depth of 1 m **3.281 ft** in water for 500 hours.

④ After tests ① to ③, insulation resistance, voltage withstandability, current consumption, and sensing ranges must meet the standard values.

5) If using the sensor in an environment where cutting oil droplets splatter, the sensor may deteriorate due to added substances in the oil.

GX-F/H

GXL

GL

GX-U/GX-FU/

GX-N

GX

## SPECIFICATIONS

### GX-12 type

Item	Model No. (Note 2)	Type	NPN output		PNP output	
		Front sensing	<b>GX-F12A(I)</b>	<b>GX-F12B(I)</b>	<b>GX-F12A(I)-P</b>	<b>GX-F12B(I)-P</b>
		Top sensing	<b>GX-H12A(I)</b>	<b>GX-H12B(I)</b>	<b>GX-H12A(I)-P</b>	<b>GX-H12B(I)-P</b>
Max. operation distance (Note 3)		4.0 mm <b>0.157 in</b> ± 8 %				
Stable sensing range (Note 3)		0 to 3.3 mm <b>0 to 0.130 in</b>				
Standard sensing object		Iron sheet 20 × 20 × t 1 mm <b>0.787 × 0.787 × t 0.039 in</b>				
Hysteresis		20 % or less of operation distance (with standard sensing object)				
Repeatability		Along sensing axis, perpendicular to sensing axis: 0.04 mm <b>0.0016 in</b> or less				
Supply voltage		12 to 24 V DC <sup>+10</sup> / <sub>-15</sub> % Ripple P-P 10 % or less				
Current consumption		15 mA or less				
Output		NPN open-collector transistor			PNP open-collector transistor	
		<ul style="list-style-type: none"> <li>Maximum sink current: 100 mA</li> <li>Applied voltage: 30 V DC or less (between output and 0 V)</li> <li>Residual voltage: 2 V or less (at 100 mA sink current)</li> </ul>			<ul style="list-style-type: none"> <li>Maximum source current: 100 mA</li> <li>Applied voltage: 30 V DC or less (between output and +V)</li> <li>Residual voltage: 2 V or less (at 100 mA source current)</li> </ul>	
Utilization category		DC-12 or DC-13				
Output operation		Normally open	Normally closed	Normally open	Normally closed	
Max. response frequency		500 Hz				
Operation indicator		Orange LED (lights up when the output is ON)				
Environmental resistance	Pollution degree		3 (Industrial environment)			
	Protection		IP68 (IEC), IP68g (JEM) (Note 4, 5)			
	Ambient temperature		-25 to +70 °C <b>-13 to +158 °F</b> , Storage: -40 to +85 °C <b>-40 to +185 °F</b>			
	Ambient humidity		35 to 85 % RH, Storage: 35 to 95 % RH			
	EMC		EN 60947-5-2			
	Voltage withstandability		1,000 V AC for one min. between all supply terminals connected together and enclosure			
	Insulation resistance		50 MΩ, or more, with 500 V DC megger between all supply terminals connected together and enclosure			
	Vibration resistance		10 to 500 Hz frequency, 3 mm <b>0.118 in</b> amplitude (Max. 20 G) in X, Y and Z directions for two hours each			
Shock resistance		10,000 m/s <sup>2</sup> acceleration (1,000 G approx.) in X, Y and Z directions for three times each				
Sensing range variation	Temperature characteristics		Over ambient temperature range -25 to +70 °C <b>-13 to +158 °F</b> : Within ±8 % of sensing range at +23 °C <b>+73 °F</b>			
	Voltage characteristics		Within ±2 % for <sup>+10</sup> / <sub>-15</sub> % fluctuation of the supply voltage			
Material		Enclosure: PBT, Indicator part: Polyester				
Cable		0.15 mm <sup>2</sup> 3-core oil, heat and cold resistant cabtyre cable, 1 m <b>3.281 ft</b> long				
Cable extension		Extension up to total 100 m <b>328.084 ft</b> is possible with 0.3 mm <sup>2</sup> , or more, cable.				
Net weight		Front sensing type: 20 g approx., Top sensing type: 20 g approx..				

Notes: 1) Where measurement conditions have not been specified precisely, the conditions used were an ambient temperature of +23 °C **+73 °F**.

2) " I " in the model No. indicates a different frequency type.

3) The maximum operation distance stands for the maximum distance for which the sensor can detect the standard sensing object.

The stable sensing range stands for the sensing range for which the sensor can stably detect the standard sensing object even if there is an ambient temperature drift and/or supply voltage fluctuation.

4) Panasonic Electric Works SUNX's IP68 test method

① Immerse at 0 m below 0 °C **+32 °F** water surface and leave for 30 min. Then, immerse at 0 m below +70 °C **+158 °F** water surface and leave for 30 min.

② Regard the heat shock test in ① as one cycle and perform 20 cycles.

③ Leave in water at a depth of 1 m **3.281 ft** in water for 500 hours.

④ After tests ① to ③, insulation resistance, voltage withstandability, current consumption, and sensing ranges must meet the standard values.

5) If using the sensor in an environment where cutting oil droplets splatter, the sensor may deteriorate due to added substances in the oil.

FIBER SENSORS

LASER SENSORS

PHOTO-ELECTRIC SENSORS

MICRO PHOTO-ELECTRIC SENSORS

AREA SENSORS

LIGHT CURTAINS

PRESSURE / FLOW SENSORS

INDUCTIVE PROXIMITY SENSORS

PARTICULAR USE SENSORS

SENSOR OPTIONS

SIMPLE WIRE-SAVING UNITS

WIRE-SAVING SYSTEMS

MEASUREMENT SENSORS

STATIC CONTROL DEVICES

ENDOSCOPE

LASER MARKERS

PLC / TERMINALS

HUMAN MACHINE INTERFACES

ENERGY CONSUMPTION VISUALIZATION COMPONENTS

FA COMPONENTS

MACHINE VISION SYSTEMS

UV CURING SYSTEMS

Selection Guide

Amplifier Built-in

Amplifier-separated

GX-F/H

GXL

GL

GX-U/GX-FU/GX-N

GX



## SPECIFICATIONS

### GX-15 type

Item	Model No. (Note 2)	Type	NPN output				PNP output			
					Long sensing range				Long sensing range	
			Front sensing	GX-F15A(I)	GX-F15B(I)	GX-FL15A(I)	GX-FL15B(I)	GX-F15A(I)-P	GX-F15B(I)-P	GX-FL15A(I)-P
		Top sensing	GX-H15A(I)	GX-H15B(I)	GX-HL15A(I)	GX-HL15B(I)	GX-H15A(I)-P	GX-H15B(I)-P	GX-HL15A(I)-P	GX-HL15B(I)-P
Max. operation distance (Note 3)		5.0 mm <b>0.197 in</b> ± 8 %		8.0 mm <b>0.315 in</b> ± 8 % (Note 4)		5.0 mm <b>0.197 in</b> ± 8 %		8.0 mm <b>0.315 in</b> ± 8 % (Note 4)		
Stable sensing range (Note 3)		0 to 4.2 mm <b>0 to 0.165 in</b>		0 to 6.7 mm <b>0 to 0.264 in</b> (Note 4)		0 to 4.2 mm <b>0 to 0.165 in</b>		0 to 6.7 mm <b>0 to 0.264 in</b> (Note 4)		
Standard sensing object		Iron sheet 20 × 20 × t 1 mm <b>0.7874 × 0.7874 × t 0.039 in</b>		Iron sheet 30 × 30 × t 1 mm <b>1.181 × 1.181 × t 0.039 in</b>		Iron sheet 20 × 20 × t 1 mm <b>0.7874 × 0.7874 × t 0.039 in</b>		Iron sheet 30 × 30 × t 1 mm <b>1.181 × 1.181 × t 0.039 in</b>		
Hysteresis		20 % or less of operation distance (with standard sensing object)								
Repeatability		Along sensing axis, perpendicular to sensing axis: 0.04 mm <b>0.0016 in</b> or less								
Supply voltage		12 to 24 V DC $^{+10}_{-15}$ % Ripple P-P 10 % or less								
Current consumption		15 mA or less								
Output		NPN open-collector transistor • Maximum sink current: 100 mA • Applied voltage: 30 V DC or less (between output and 0 V) • Residual voltage: 2 V or less (at 100 mA sink current)				PNP open-collector transistor • Maximum source current: 100 mA • Applied voltage: 30 V DC or less (between output and +V) • Residual voltage: 2 V or less (at 100 mA source current)				
Utilization category		DC-12 or DC-13								
Output operation		Normally open	Normally closed	Normally open	Normally closed	Normally open	Normally closed	Normally open	Normally closed	
Max. response frequency		250 Hz		150 Hz (Note 5)		250 Hz		150 Hz (Note 5)		
Operation indicator		Orange LED (lights up when the output is ON)								
Environmental resistance	Pollution degree		3 (Industrial environment)							
	Protection		IP68 (IEC), IP68g (JEM) (Note 6, 7)							
	Ambient temperature		-25 to +70 °C <b>-13 to +158 °F</b> , Storage: -40 to +85 °C <b>-40 to +185 °F</b>							
	Ambient humidity		35 to 85 % RH, Storage: 35 to 95 % RH							
	EMC		EN 60947-5-2							
	Voltage withstandability		1,000 V AC for one min. between all supply terminals connected together and enclosure							
	Insulation resistance		50 MΩ, or more, with 500 V DC megger between all supply terminals connected together and enclosure							
	Vibration resistance		10 to 500 Hz frequency, 3 mm <b>0.118 in</b> amplitude (Max. 20 G) in X, Y and Z directions for two hours each							
Shock resistance		10,000 m/s <sup>2</sup> acceleration (1,000 G approx.) in X, Y and Z directions for three times each								
Sensing range variation	Temperature characteristics		Over ambient temperature range -25 to +70 °C <b>-13 to +158 °F</b> : Within ± 8 % of sensing range at +23 °C <b>+73 °F</b>							
	Voltage characteristics		Within ± 2 % for $^{+10}_{-15}$ % fluctuation of the supply voltage							
Material		Enclosure: PBT, Indicator part: Polyester								
Cable		0.15 mm <sup>2</sup> 3-core oil, heat and cold resistant cabtyre cable, 1 m <b>3.281 ft</b> long								
Cable extension		Extension up to total 100 m <b>328.084 ft</b> is possible with 0.3 mm <sup>2</sup> , or more, cable.								
Net weight		20 g approx.								

Notes: 1) Where measurement conditions have not been specified precisely, the conditions used were an ambient temperature of +23 °C **+73 °F**.

2) " I " in the model No. indicates a different frequency type.

3) The maximum operation distance stands for the maximum distance for which the sensor can detect the standard sensing object.

The stable sensing range stands for the sensing range for which the sensor can stably detect the standard sensing object even if there is an ambient temperature drift and/or supply voltage fluctuation.

4) This is the numerical value which the sensor mount onto an insulant plate. When mounted onto a steel or stainless steel plate, insert the optional aluminum sheet between the sensor and the plate.

5) This is the numerical value which the sensor mount onto an insulant plate. When mounted onto a metallic plate, max. response frequency will decrease.

6) Panasonic Electric Works SUNX's IP68 test method

① Immerse at 0 m below 0 °C **+32 °F** water surface and leave for 30 min. Then, immerse at 0 m below +70 °C **+158 °F** water surface and leave for 30 min.

② Regard the heat shock test in ① as one cycle and perform 20 cycles.

③ Leave in water at a depth of 1 m **3.281 ft** in water for 500 hours.

④ After tests ① to ③, insulation resistance, voltage withstandability, current consumption, and sensing range must meet the standard values.

7) If using the sensor in an environment where cutting oil droplets splatter, the sensor may be deteriorated due to added substances in the oil.

GX-F/H

GXL

GL

GX-U/GX-FU/

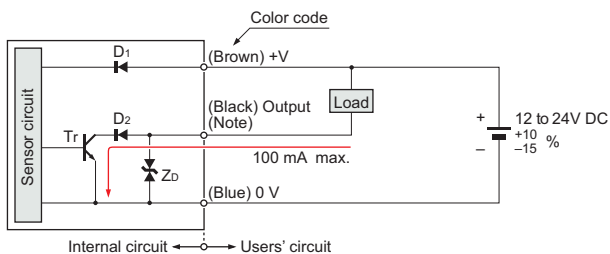
GX-N

GX

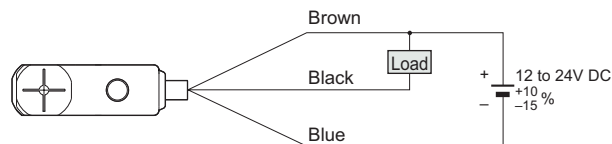
**I/O CIRCUIT DIAGRAMS**

**NPN output type**

**I/O circuit diagram**



**Wiring diagram**

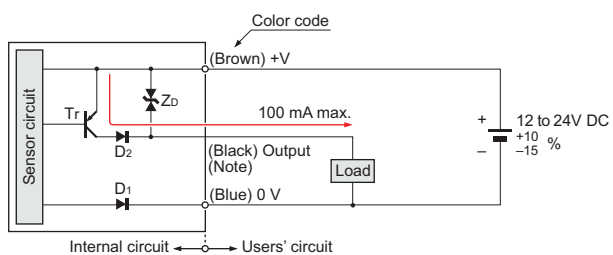


Symbols ... D1: Reverse supply polarity protection diode  
 D2: Reverse output polarity protection diode  
 ZD: Surge absorption zener diode  
 Tr : NPN output transistor

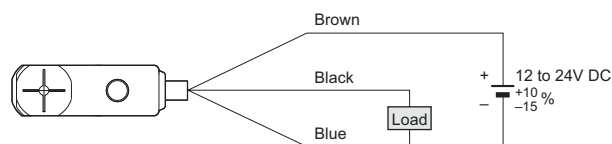
Note: The output does not incorporate a short-circuit protection circuit.  
 Do not connect it directly to a power supply or a capacitive load.

**PNP output type**

**I/O circuit diagram**



**Wiring diagram**



Symbols ... D1: Reverse supply polarity protection diode  
 D2: Reverse output polarity protection diode  
 ZD: Surge absorption zener diode  
 Tr : PNP output transistor

Note: The output does not incorporate a short-circuit protection circuit.  
 Do not connect it directly to a power supply or a capacitive load.

FIBER SENSORS

LASER SENSORS

PHOTO-ELECTRIC SENSORS

MICRO PHOTO-ELECTRIC SENSORS

AREA SENSORS

LIGHT CURTAINS

PRESSURE / FLOW SENSORS

**INDUCTIVE PROXIMITY SENSORS**

PARTICULAR USE SENSORS

SENSOR OPTIONS

SIMPLE WIRE-SAVING UNITS

WIRE-SAVING SYSTEMS

MEASUREMENT SENSORS

STATIC CONTROL DEVICES

ENDOSCOPE

LASER MARKERS

PLC / TERMINALS

HUMAN MACHINE INTERFACES

ENERGY CONSUMPTION VISUALIZATION COMPONENTS

FA COMPONENTS

MACHINE VISION SYSTEMS

UV CURING SYSTEMS

Selection Guide

Amplifier Built-in

Amplifier-separated

**GX-F/H**

**GXL**

**GL**

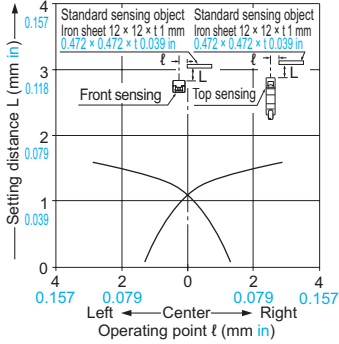
GX-U/GX-FU/  
GX-N

**GX**

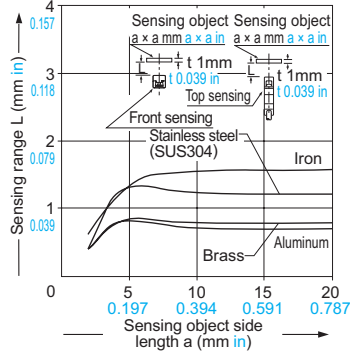
**SENSING CHARACTERISTICS (TYPICAL)**

**GX-6 type**

**Sensing field**



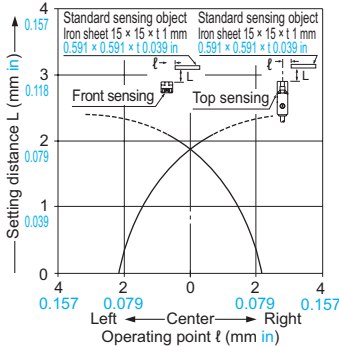
**Correlation between sensing object size and sensing range**



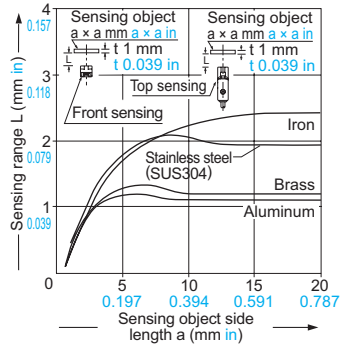
As the sensing object size becomes smaller than the standard size (iron sheet 12 × 12 × t 1 mm 0.472 × 0.472 × t 0.039 in), the sensing range shortens as shown in the left figure.

**GX-8 type**

**Sensing field**



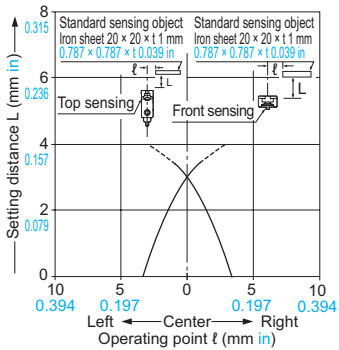
**Correlation between sensing object size and sensing range**



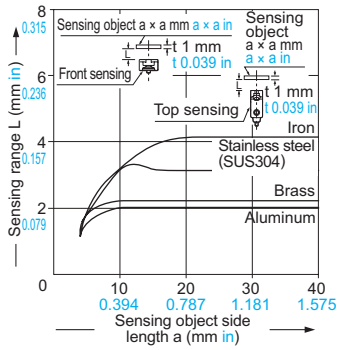
As the sensing object size becomes smaller than the standard size (iron sheet 15 × 15 × t 1 mm 0.591 × 0.591 × t 0.039 in), the sensing range shortens as shown in the left figure.

**GX-12 type**

**Sensing field**



**Correlation between sensing object size and sensing range**

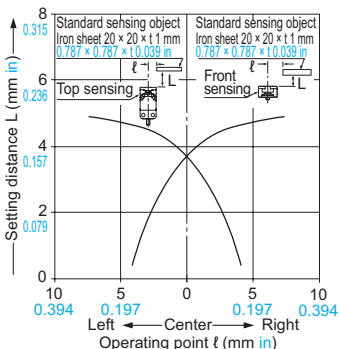


As the sensing object size becomes smaller than the standard size (iron sheet 20 × 20 × t 1 mm 0.787 × 0.787 × t 0.039 in), the sensing range shortens as shown in the left figure.

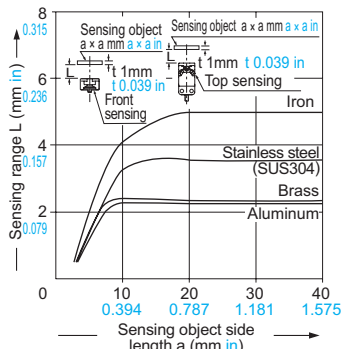
**GX-F/H**

**GX-15 type**

**Sensing field**



**Correlation between sensing object size and sensing range**



As the sensing object size becomes smaller than the standard size (iron sheet 20 × 20 × t 1 mm 0.787 × 0.787 × t 0.039 in), the sensing range shortens as shown in the left figure.

**GXL**

**GL**

**GX-U/GX-FU/GX-N**

**GX**

**FIBER SENSORS**

**LASER SENSORS**

**PHOTO-ELECTRIC SENSORS**

**MICRO PHOTO-ELECTRIC SENSORS**

**AREA SENSORS**

**LIGHT CURTAINS**

**PRESSURE / FLOW SENSORS**

**INDUCTIVE PROXIMITY SENSORS**

**PARTICULAR USE SENSORS**

**SENSOR OPTIONS**

**SIMPLE WIRE-SAVING UNITS**

**WIRE-SAVING SYSTEMS**

**MEASUREMENT SENSORS**

**STATIC CONTROL DEVICES**

**ENDOSCOPE**

**LASER MARKERS**

**PLC / TERMINALS**

**HUMAN MACHINE INTERFACES**

**ENERGY CONSUMPTION VISUALIZATION COMPONENTS**

**FA COMPONENTS**

**MACHINE VISION SYSTEMS**

**UV CURING SYSTEMS**

**Selection Guide**

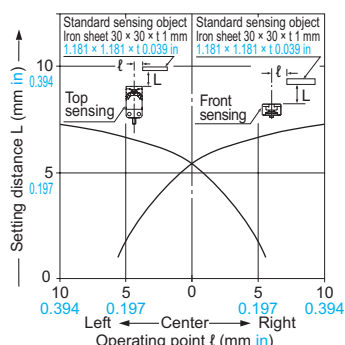
**Amplifier Built-in**

**Amplifier-separated**

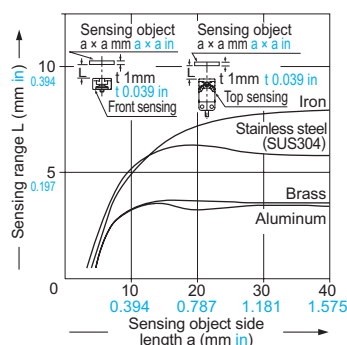
## SENSING CHARACTERISTICS (TYPICAL)

### GX-15 (Long sensing range) type

#### Sensing field



#### Correlation between sensing object size and sensing range



As the sensing object size becomes smaller than the standard size (iron sheet 30 × 30 × t 1 mm 1.181 × 1.181 × t 0.039 in), the sensing range shortens as shown in the left figure.

## PRECAUTIONS FOR PROPER USE

Refer to General precautions.

- Never use this product as a sensing device for personnel protection.
- In case of using sensing devices for personnel protection, use products which meet laws and standards, such as OSHA, ANSI or IEC etc., for personnel protection applicable in each region or country.

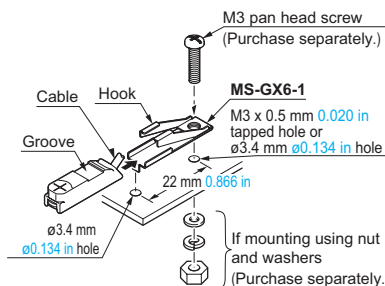
### Mounting

#### GX-6 type

- Use the optional sensor mounting bracket when installing.

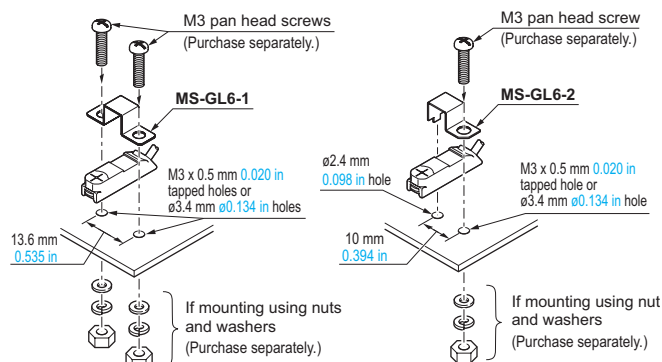
#### <When using MS-GX6-1 (recommended)>

- To mount the sensor with a nut, the mounting hole diameter should be  $\phi 3.4$  mm  $\phi 0.134$  in.
- ① Insert the sensor into the bracket as shown on the right.
  - ② Push the sensor until the bracket hook is lodged in the groove on the upper portion of the sensor.
  - ③ Fix the bracket in place with M3 pan head screw.



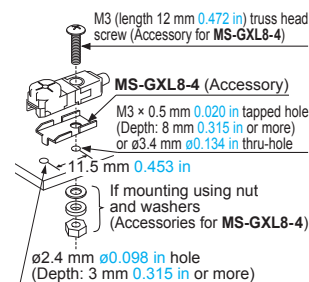
#### <When using MS-GL6-1 / MS-GL6-2>

- To mount the sensor with a nut, the mounting hole diameter should be  $\phi 3.4$  mm  $\phi 0.134$  in.



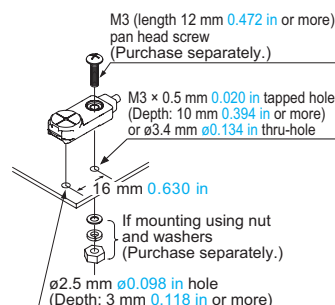
#### GX-8 type

- Make sure to use a M3 (length: 12 mm 0.472 in or more) truss head screw. The tightening torque should be 0.7 N·m or less. (Do not use a flat head screw or a pan head screw.)



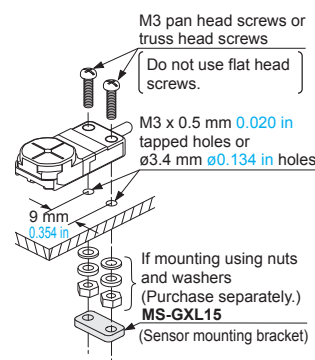
#### GX-12 type

- The tightening torque should be 0.7 N·m or less.
- To mount the sensor with a nut, the mounting hole diameter should be  $\phi 3.4$  mm  $\phi 0.134$  in. Further, the hole in which the boss is inserted should be  $\phi 2.5$  mm  $\phi 0.098$  in and 3 mm 0.118 in, or more, deep.

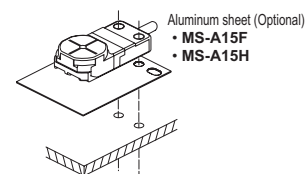


#### GX-15 type

- The tightening torque should be 1 N·m or less.
- To mount the sensor with a nut, the mounting hole diameter should be  $\phi 3.4$  mm  $\phi 0.134$  in.



- When installing the long sensing range type on iron or stainless steel plate, put the optional aluminum sheet in between the sensor and the plate.



FIBER SENSORS

LASER SENSORS

PHOTO-ELECTRIC SENSORS

MICRO PHOTO-ELECTRIC SENSORS

AREA SENSORS

LIGHT CURTAINS

PRESSURE / FLOW SENSORS

INDUCTIVE PROXIMITY SENSORS

PARTICULAR USE SENSORS

SENSOR OPTIONS

SIMPLE WIRE-SAVING UNITS

WIRE-SAVING SYSTEMS

MEASUREMENT SENSORS

STATIC CONTROL DEVICES

ENDOSCOPE

LASER MARKERS

PLC / TERMINALS

HUMAN MACHINE INTERFACES

ENERGY CONSUMPTION VISUALIZATION COMPONENTS

FA COMPONENTS

MACHINE VISION SYSTEMS

UV CURING SYSTEMS

Selection Guide

Amplifier Built-in

Amplifier-separated

**GX-F/H**

**GXL**

**GL**

GX-UGX-FU/ GX-N

**GX**

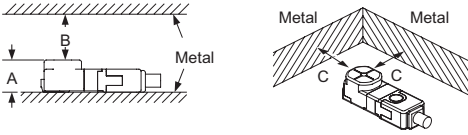
**PRECAUTIONS FOR PROPER USE**

Refer to General precautions.

**Influence of surrounding metal**

- When there is a metal near the sensor, keep the minimum separation distance specified below.

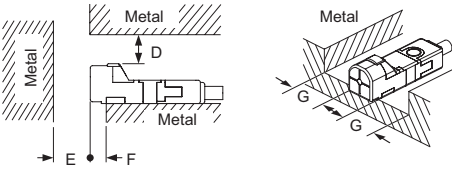
**Front sensing type**



	GX-F6 type	GX-F8 type	GX-F12 type	GX-F15 type	GX-FL15 type
A	6 mm <b>0.236 in</b> (Note 1)	7.4 mm <b>0.291 in</b>	7.1 mm <b>0.280 in</b>	8 mm <b>0.315 in</b>	8 mm <b>0.315 in</b> (Note 2)
B	8 mm <b>0.315 in</b>	8 mm <b>0.315 in</b>	20 mm <b>0.787 in</b>	20 mm <b>0.787 in</b>	30 mm <b>1.181 in</b>
C	3 mm <b>0.118 in</b>	3 mm <b>0.118 in</b>	7 mm <b>0.276 in</b>	7 mm <b>0.276 in</b>	10 mm <b>0.394 in</b>

Notes: 1) When using **MS-GX6-1** (recommended mounting bracket), the distance "A" including the thickness of mounting bracket will be 6.4 mm **0.252 in**.  
 2) The **GXL-FL15** type should be mounted on an insulator. To mount it on an iron or stainless steel, use the enclosed aluminum sheet.

**Top sensing type**



	GX-H6 type	GX-H8 type	GX-H12 type	GX-H15 type	GX-HL15 type
D	3 mm <b>0.118 in</b>	4 mm <b>0.157 in</b>	7 mm <b>0.276 in</b>	6 mm <b>0.236 in</b>	12 mm <b>0.472 in</b>
E	10 mm <b>0.394 in</b>	10 mm <b>0.394 in</b>	20 mm <b>0.787 in</b>	20 mm <b>0.787 in</b>	30 mm <b>1.181 in</b>
F	2 mm <b>0.079 in</b>	3 mm <b>0.118 in</b>	3 mm <b>0.118 in</b>	0 mm <b>0 in</b>	10 mm <b>0.394 in</b> (Note)
G	2 mm <b>0.079 in</b>	3 mm <b>0.118 in</b>	3 mm <b>0.118 in</b>	3 mm <b>0.118 in</b>	10 mm <b>0.394 in</b>

Note: When **GX-HL15** type is mounted on an insulator or seated on the enclosed aluminum sheet, the distance "F" can be zero.

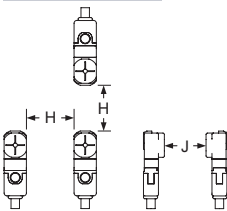
**Mutual interference prevention**

- When two or more sensors are installed in parallel or face to face, keep the minimum separation distance specified below to avoid mutual interference.

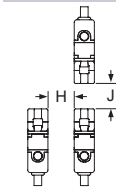
		H	J
<b>GX-F6</b> <b>GX-H6</b> type	Between "I" type and non "I" type	0 mm (Note 2)	15 mm <b>0.591 in</b>
	Between two "I" types or two non "I" types	13 mm <b>0.512 in</b>	25 mm <b>0.984 in</b>
<b>GX-F8</b> <b>GX-H8</b> type	Between "I" type and non "I" type	0 mm (Note 2)	15 mm <b>0.591 in</b>
	Between two "I" types or two non "I" types	20 mm <b>0.787 in</b>	35 mm <b>1.378 in</b>
<b>GX-F12</b> <b>GX-H12</b> type	Between "I" type and non "I" type	0 mm (Note 2)	25 mm <b>0.984 in</b>
	Between two "I" types or two non "I" types	25 mm <b>0.984 in</b>	50 mm <b>1.969 in</b>
<b>GX-F15</b> <b>GX-H15</b> type	Between "I" type and non "I" type	0 mm (Note 2)	25 mm <b>0.984 in</b>
	Between two "I" types or two non "I" types	45 mm <b>1.772 in</b>	70 mm <b>2.756 in</b>
<b>GX-FL15</b> <b>GX-HL15</b> type	Between "I" type and non "I" type	0 mm (Note 2)	25 mm <b>0.984 in</b>
	Between two "I" types or two non "I" types	110 mm <b>3.059 in</b>	170 mm <b>6.693 in</b>

Notes: 1) "I" in the model No. specifies the different frequency type.  
 2) Close mounting is possible for up to two sensors. When mounting three sensors or more at an equal spacing, align the model with "I" and the model without "I" alternately. The minimum value of dimension "H" should be as given below.  
**GX-F6 / H6** type: 3.5mm **0.138 in**  
**GX-F8 / H8** type: 6mm **0.236 in**  
**GX-F12 / H12** type: 6.5mm **0.256 in**  
**GX-F15 / H15** type: 15mm **0.591 in**  
**GX-FL15 / HL15** type: 47.5mm **1.870 in**

**Front sensing**



**Top sensing**



**Sensing range**

- The sensing range is specified for the standard sensing object. With a non-ferrous metal, the sensing range is obtained by multiplying with the correction coefficient specified below. Further, the sensing range also changes if the sensing object is smaller than the standard sensing object or if the sensing object is plated.

**Correction coefficient**

Model No.	GX-F6 GX-H6 type	GX-F8 GX-H8 type	GX-F12 GX-H12 type	GX-F15 GX-H15 type	GX-FL15 type	GX-HL15 type
Metal						
Iron	1	1	1	1	1	1
Stainless steel (SUS304)	0.76 approx.	0.76 approx.	0.79 approx.	0.68 approx.	0.70 approx.	0.76 approx.
Brass	0.50 approx.	0.50 approx.	0.56 approx.	0.47 approx.	0.45 approx.	0.50 approx.
Aluminum	0.48 approx.	0.48 approx.	0.53 approx.	0.45 approx.	0.43 approx.	0.48 approx.

**Wiring**

- The output does not incorporate a short-circuit protection circuit. Do not connect it directly to a power supply or a capacitive load.

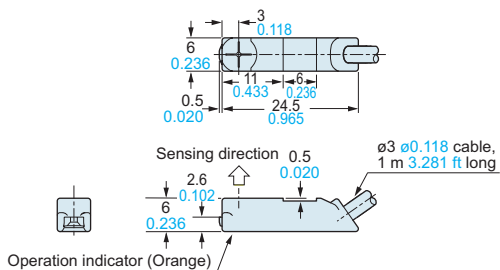
**Others**

- Do not use during the initial transient time (50 ms) after the power supply is switched on.

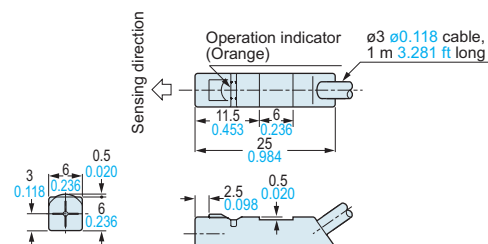
**DIMENSIONS (Unit: mm in)**

The CAD data in the dimensions can be downloaded from our website.

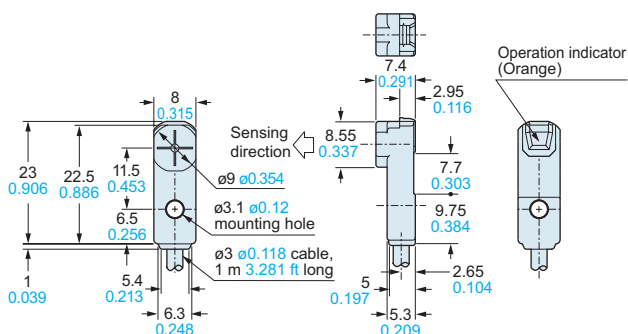
**GX-F6** Sensor



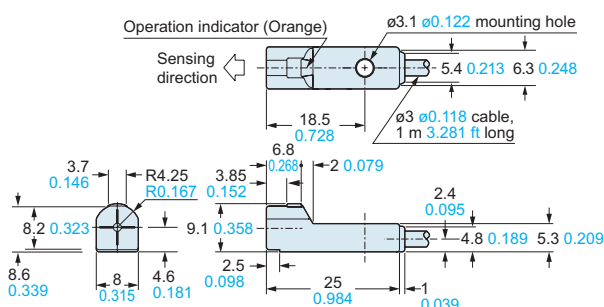
**GX-H6** Sensor



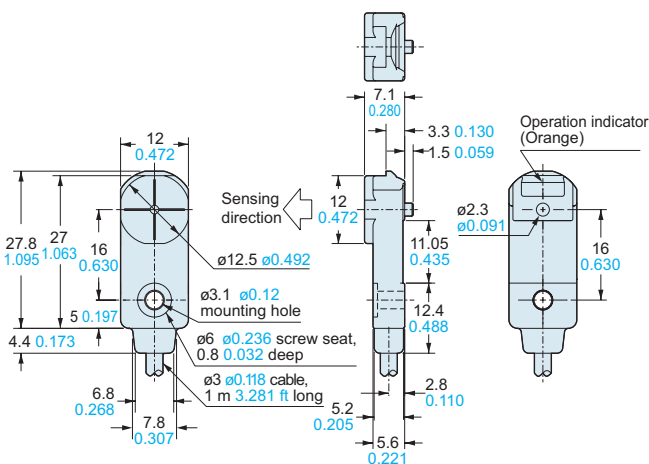
**GX-F8** Sensor



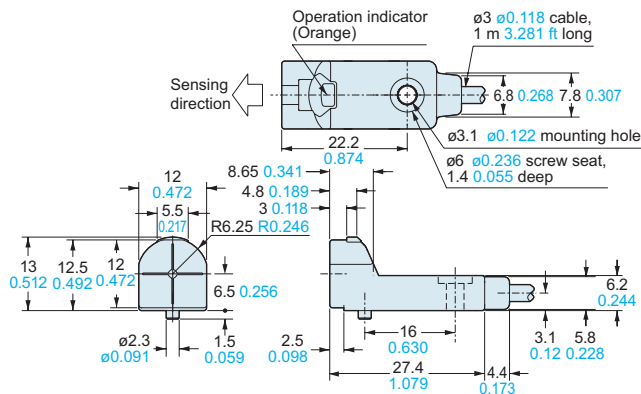
**GX-H8** Sensor



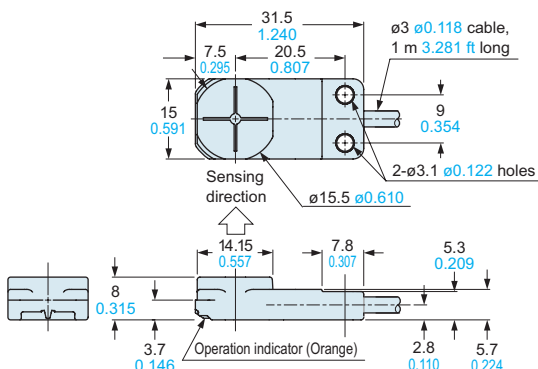
**GX-F12** Sensor



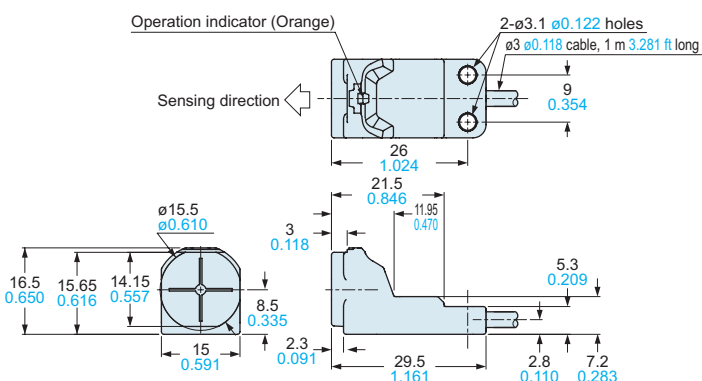
**GX-H12** Sensor



**GX-F(L)15** Sensor



**GX-H(L)15** Sensor



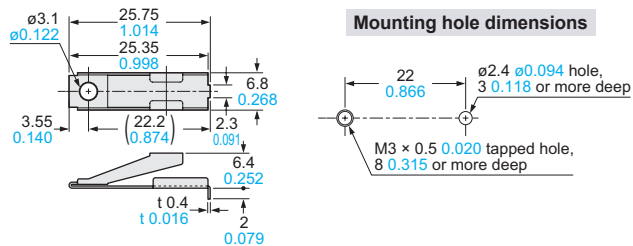
- FIBER SENSORS
- LASER SENSORS
- PHOTO-ELECTRIC SENSORS
- MICRO PHOTO-ELECTRIC SENSORS
- AREA SENSORS
- LIGHT CURTAINS
- PRESSURE / FLOW SENSORS
- INDUCTIVE PROXIMITY SENSORS
- PARTICULAR USE SENSORS
- SENSOR OPTIONS
- SIMPLE WIRE-SAVING UNITS
- WIRE-SAVING SYSTEMS
- MEASUREMENT SENSORS
- STATIC CONTROL DEVICES
- ENDOSCOPE
- LASER MARKERS
- PLC / TERMINALS
- HUMAN MACHINE INTERFACES
- ENERGY CONSUMPTION VISUALIZATION COMPONENTS
- FA COMPONENTS
- MACHINE VISION SYSTEMS
- UV CURING SYSTEMS
- Selection Guide
- Amplifier Built-in
- Amplifier-separated
- GX-F/H**
- GXL**
- GL**
- GX-UGX-FU/GX-N**
- GX**

FIBER SENSORS
LASER SENSORS
PHOTO-ELECTRIC SENSORS
MICRO PHOTO-ELECTRIC SENSORS
AREA SENSORS
LIGHT CURTAINS
PRESSURE / FLOW SENSORS
INDUCTIVE PROXIMITY SENSORS
PARTICULAR USE SENSORS
SENSOR OPTIONS
SIMPLE WIRE-SAVING UNITS
WIRE-SAVING SYSTEMS
MEASUREMENT SENSORS
STATIC CONTROL DEVICES
ENDOSCOPE
LASER MARKERS
PLC / TERMINALS
HUMAN MACHINE INTERFACES
ENERGY CONSUMPTION VISUALIZATION COMPONENTS
FA COMPONENTS
MACHINE VISION SYSTEMS
UV CURING SYSTEMS
Selection Guide
Amplifier Built-in
Amplifier-separated

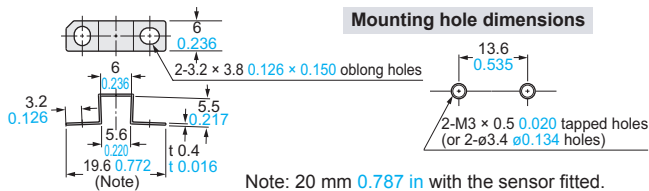
## DIMENSIONS (Unit: mm in)

The CAD data in the dimensions can be downloaded from our website.

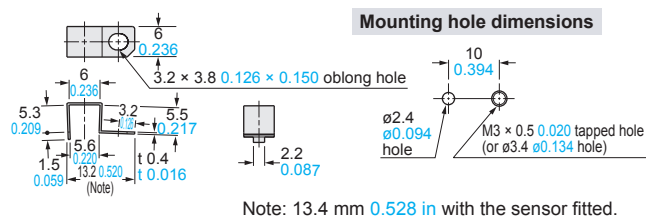
### MS-GX6-1 Sensor mounting bracket for GX-6 type (Optional)



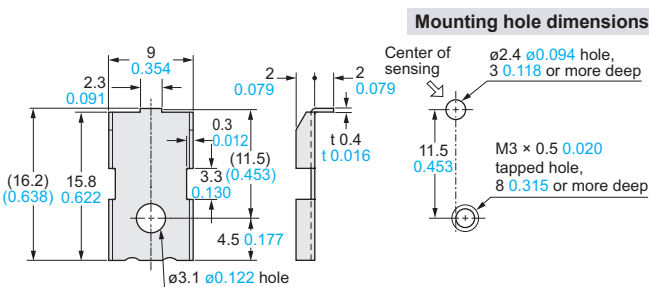
### MS-GL6-1 Sensor mounting bracket for GX-6 type (Optional)



### MS-GL6-2 Sensor mounting bracket for GX-6 type (Optional)



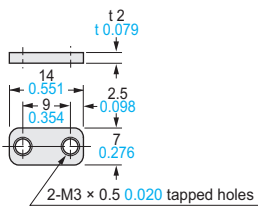
### MS-GXL8-4 Sensor mounting bracket for GX-8 type (Optional)



Material: Stainless steel (SUS304)

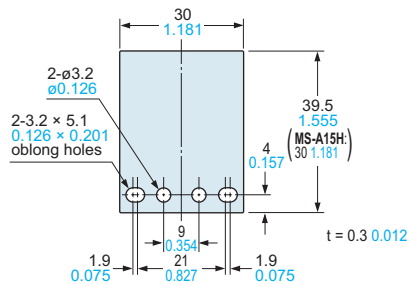
1 pc. each of M3 (length 12 mm 0.472 in) truss head screw, nut, spring washer and plain washer is attached.

### MS-GXL15 Sensor mounting bracket for GX-15 type (Optional)



Material: SPCC

### MS-A15F MS-A15H Aluminum sheet (Optional)



### GX-F/H

GXL

GL

GX-U/GX-FU/  
GX-N

GX

## MEMO

