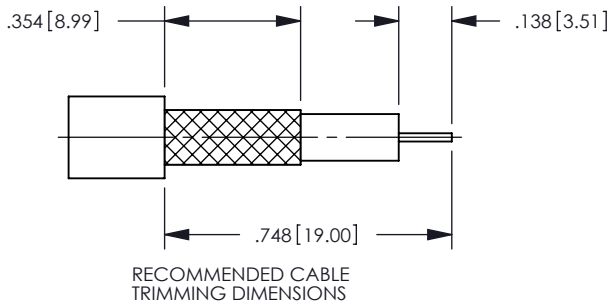
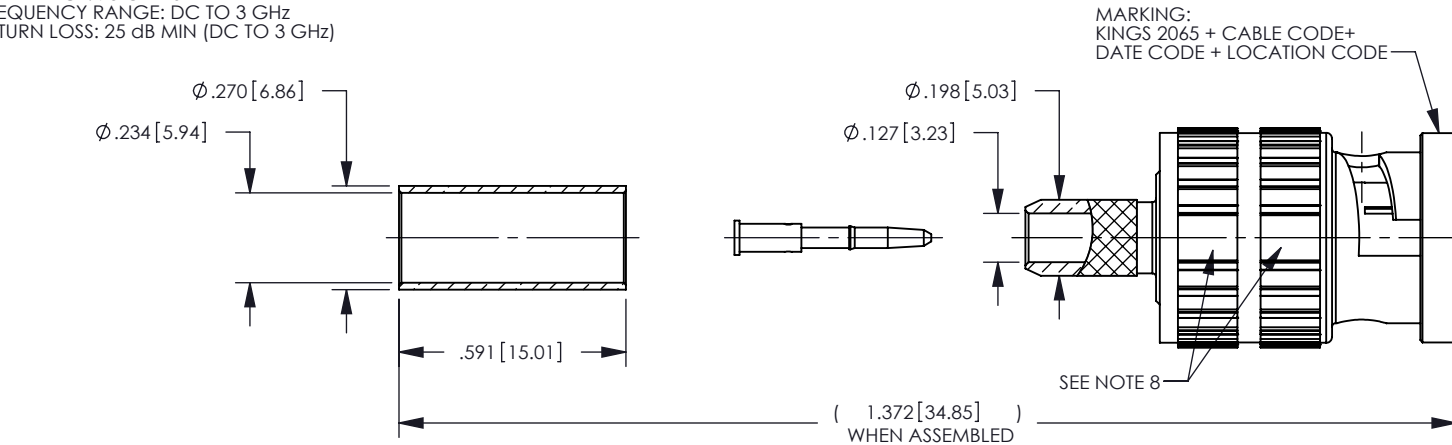


NOTES: UNLESS OTHERWISE SPECIFIED

- FOR GENERAL SERIES SPECIFICATIONS, SEE SDRPF-206.
- MATERIAL SPECIFICATIONS:  
 BAYONET SLEEVE, BODY, CONTACT, FERRULE: BRASS PER ASTM B16  
 INSULATOR: TEFLON PER ASTM D1710  
 SPRING WASHER, OUTER CONTACT: BERYLLIUM COPPER, ASTM-B-194  
 GASKET: SILICONE RUBBER
- FINISH SPECIFICATIONS:  
 BAYONET SLEEVE, BODY, FERRULE: .000100MIN NICKEL PER AMS-QQ-N-290  
 OVER COPPER FLASH PER ASTM B734 (ROHS)  
 CONTACT: .000030 MIN. GOLD PER ASTM B488, OVER NICKEL PER AMS-QQ-N-290 (ROHS)  
 SPRING WASHER: .000200 MIN SILVER PER QQ-S-365 OVER COPPER PER ASTM B734 (ROHS)  
 ALL OTHER METAL PARTS: .000050 MIN NICKEL PER AMS-QQ-N290 OVER  
 .000050 MIN COPPER PER ASTM B734 (ROHS)
- CONTACT AND FERRULE SHIPPED LOOSE.
- FOR USE WITH TACHII CABLE TCX-3C2V & TCX-3C2VS OR EQUIVALENT.
- FOR CRIMPING USE KINGS KTH-5000 & KTH-5005 (.232 HEX, .054 SQUARE FLAT).
- ASSEMBLE TO CABLE USING CAP-E01.
- THESE AREA DONT HAVE WHITE MARKING.
- ELECTRIC SPECIFICATIONS:  
 IMPEDANCE: 75 OHMS  
 FREQUENCY RANGE: DC TO 3 GHz  
 RETURN LOSS: 25 dB MIN (DC TO 3 GHz)

REV	DESCRIPTION	BY DATE	APPD
B	REVISED PER ECR-ER22654	03/15/10 CY	CTC



CATALOG P/N: 2065-E00-3C202N

PER ASME Y14.5M-1994 UNLESS OTHERWISE SPECIFIED: DIMENSIONS ARE IN INCHES [MM] TOLERANCES: DECIMAL: .XX [X.X] ± .01 [0.3] .XXX [X.XX] ± .005 [0.13] .XXXX [X.XXX] ± .XXXX ANGLES: ± 2° SCALE: 2:1				 by WINCHESTER ELECTRONICS		Winchester Electronics Corporation 62 Barnes Industrial Road North Wallingford, Connecticut 06492	
<b>CUSTOMER SALES DRAWING</b>				 THIRD ANGLE		<b>BNC 75 PLUG                      FOR TACHII TCX-3C2V(S)                      (ROHS COMPLIANT)</b>	
DRAWN CY	DATE 04/08/09	APPROVED CTC	DATE 04/08/09	<b>A</b>		SD2065-E00-3C202N	
APPROVED XXX	DATE XX/XX/XX	APPROVED XXX	DATE XX/XX/XX				