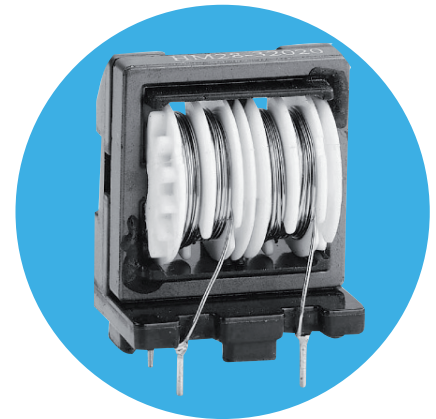


Buckle Style Core Common-Mode Chokes

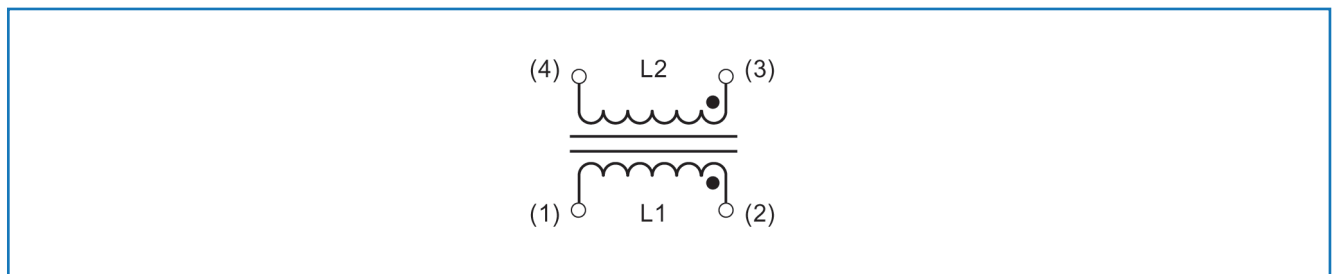
Model HM28 Series

Features

- Insulation Resistance, Minimum 100 mΩ
- Voltage Rating 250VAC
- Temperature Rise, Maximum 40°C ·
- RoHS Compliant



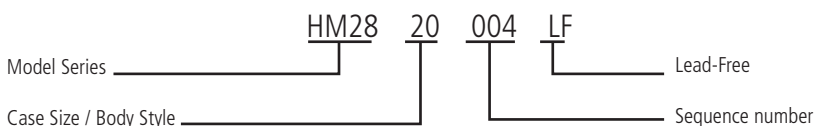
Schematic



Specifications @ 25°C / Packaging

Part Number	Current Rating Amps AC	Inductance @ 1.0 kHz mH Min.	DCR Ω Max.	Figure	Carton Box Qty (Units)	Part Number	Current Rating Amps AC	Inductance @ 1.0 kHz mH Min.	DCR Ω Max.	Figure	Carton Box Qty (Units)
HM28-20001LF	0.5	9	1.40	1	400	HM28-25033LF	3.0	5	0.10	4	330
HM28-20002LF	0.6	4.5	0.75	1	400	HM28-32018LF	0.5	36	2.70	5	400
HM28-20003LF	0.7	2.5	0.40	1	400	HM28-32019LF	0.6	24	1.60	5	400
HM28-20004LF	0.9	1.1	0.25	1	400	HM28-32020LF	0.7	9.2	0.75	5	400
HM28-20005LF	1.0	0.45	0.13	1	400	HM28-32021LF	0.9	7.8	0.50	5	400
HM28-24006LF	0.5	9	1.40	2	400	HM28-32022LF	1.0	5.2	0.34	5	400
HM28-24007LF	0.6	4.5	0.75	2	400	HM28-32023LF	1.5	3.6	0.25	5	400
HM28-24008LF	0.7	2.5	0.40	2	400	HM28-32024LF	2.0	3.2	0.20	5	400
HM28-24009LF	0.9	1.1	0.25	2	400	HM28-35034LF	0.5	120	2.60	6	231
HM28-24010LF	1.0	0.45	0.13	2	400	HM28-35035LF	0.6	92	2.00	6	231
HM28-24011LF	0.5	36	2.70	3	300	HM28-35036LF	0.7	66	1.50	6	231
HM28-24012LF	0.6	24	1.60	3	300	HM28-35037LF	0.9	36	0.80	6	231
HM28-24013LF	0.7	9.2	0.75	3	300	HM28-35038LF	1.0	25	0.60	6	231
HM28-24014LF	0.9	7.8	0.50	3	300	HM28-35039LF	1.5	15.5	0.32	6	231
HM28-24015LF	1.0	5.2	0.34	3	300	HM28-35040LF	2.0	10	0.25	6	231
HM28-24016LF	1.5	3.6	0.25	3	300	HM28-35041LF	2.5	8	0.19	6	231
HM28-24017LF	2.0	3.2	0.20	3	300	HM28-35042LF	3.0	5	0.10	6	231
HM28-25025LF	0.5	120	2.60	4	330	HM28-42051LF	1.5	33	0.50	7	144
HM28-25026LF	0.6	92	2.00	4	330	HM28-42052LF	1.8	22	0.40	7	144
HM28-25027LF	0.7	66	1.50	4	330	HM28-42053LF	2.0	18	0.30	7	144
HM28-25028LF	0.9	36	0.80	4	330	HM28-42054LF	2.5	12	0.20	7	144
HM28-25029LF	1.0	25	0.60	4	330	HM28-42055LF	2.7	10	0.15	7	144
HM28-25030LF	1.5	15.5	0.32	4	330	HM28-42056LF	3.0	8.1	0.12	7	144
HM28-25031LF	2.0	10	0.25	4	330	HM28-42057LF	3.5	6	0.10	7	144
HM28-25032LF	2.5	8	0.19	4	330	HM28-42058LF	4.0	4.7	0.08	7	144

Ordering Information



General Note

TT Electronics reserves the right to make changes in product specification without notice or liability.
All information is subject to TT Electronics' own data and is considered accurate at time of going to print.

Electrical Characteristics

Figure 1

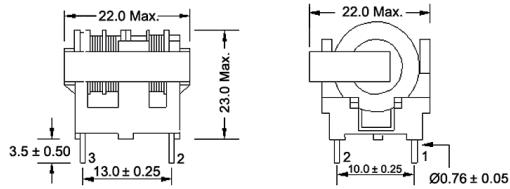


Figure 2

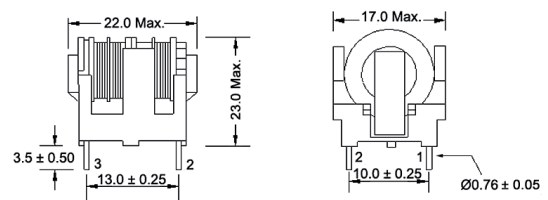


Figure 3

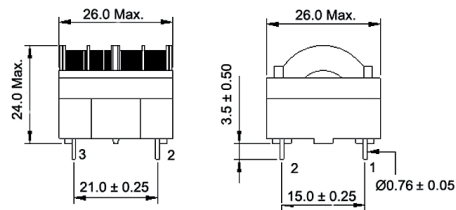


Figure 4

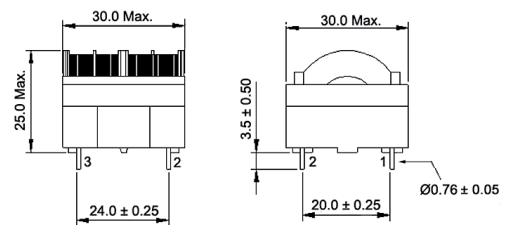


Figure 5

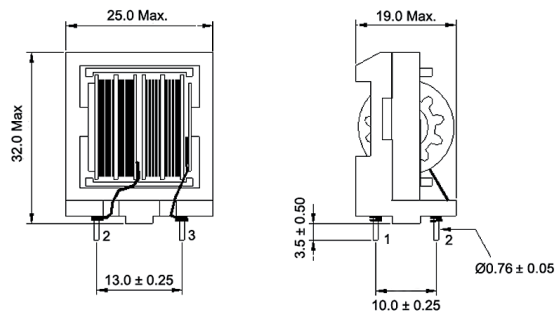


Figure 6

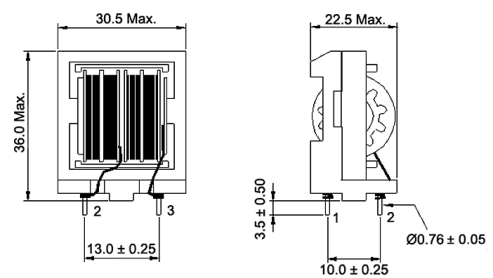
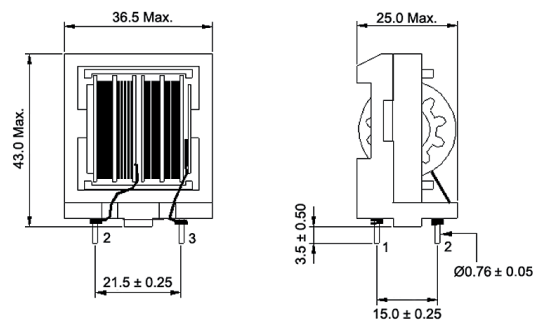


Figure 7



General Note

TT Electronics reserves the right to make changes in product specification without notice or liability.
All information is subject to TT Electronics' own data and is considered accurate at time of going to print.