

- 10/100 Base T Ethernet Application
- Single Port USB 2.0
- Transmit open circuit inductance (OCL): 350uH (MIN) @100KHz,0.1VRMS with 8mA DC Bias
- RJ45 jack cavity conforms to FCC rules and regulations Part 68, SUB Part F
- Standard operating temp: 0°C to +70°C
- Contact Factory for Industrial Temp.
- Storage temperature range: -40°C to +85°C

Electrical Specifications @ 25°C

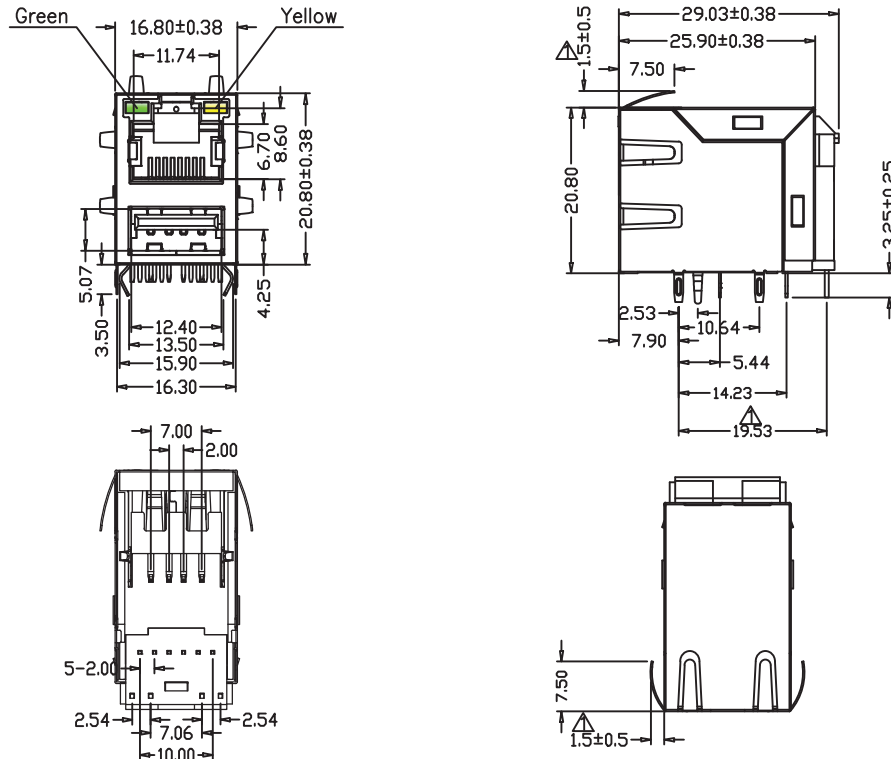
Part Number	OCL(uH Min) @ 100kHz, 0.1V With 8mA DC Bias	Turns Ratio chip: cable (±3%)	Insertion Loss (dB Max)	Return Loss (dB Min)		
			1-100MHz	1-30MHz	30-60MHz	60-80MHz
AR1USB1-3713	350	1CT:1CT	1.0	-18	-16	-12

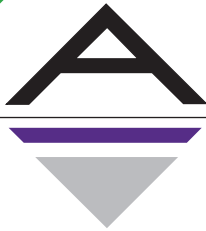
Electrical Specifications @ 25°C

Part Number	Cross Talk (dB Min)	CMR (dB Min)	HI-POT (VDC) 60Sec.
	1-100MHz	1-100MHz	
AR1USB1-3713	-30	-30	2250

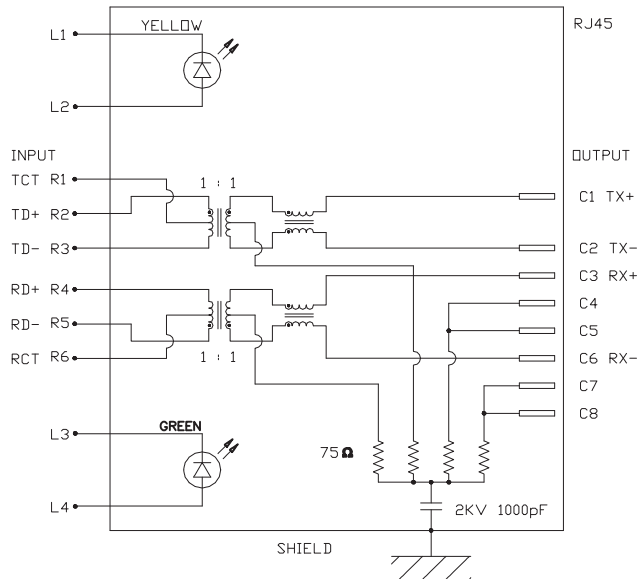
All specifications subject to change without notice.

MECHANICAL

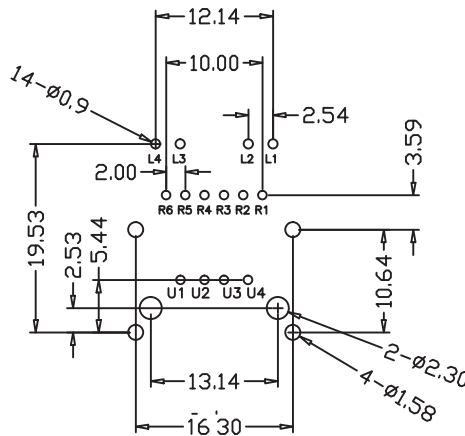




SCHEMATICS



PCB LAYOUT



NOTES

- | | | | |
|--|--|---|--|
| <p>1. Shield-</p> <p>2. Housing-</p> <p>3. RJ Terminal-</p> <p>4. Contact Pin-</p> | <p>0.20mm THICKNESS BRASS C2680 H. PLATING NICKEL 30u"-50u"</p> <p>Standard Material Nylon 66, Glass filled Polyester UL94V-0 Standard Color Black.</p> <p>Plastic: PBT+30% GF UL94V-0, Standard Color Black.</p> <p>Pin: 0.35mm Thickness Phos-Bronze C5210 EH. Plating: Nickel 40u"-60u" for all Sn 100%, and 15u" Gold Plating.</p> <p>Plastic: Nylon 66, Glass Filled, UL94V-0, Standard Color Black.</p> <p>Pin: 0.35mm Thickness Phos-Bronze C2680. Plating: Nickel 40u"-60u" for all Sn 100%.</p> | <p>USB</p> <p>1. Shielded-</p> <p>2. Contact Pin-</p> | <p>STEEL, 20u"--40u", Nickel Plated Overall</p> <p>Plastic: PBT+30% GF UL94V-0, Standard Color Black.</p> <p>Pin: 0.35mm Thickness Phos-Bronze C5210 EH. Plating: Nickel 40u"-60u" for all and Sn 100%. and Gold Plating</p> |
|--|--|---|--|