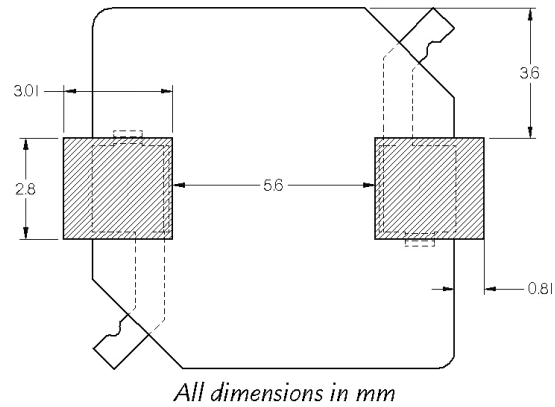
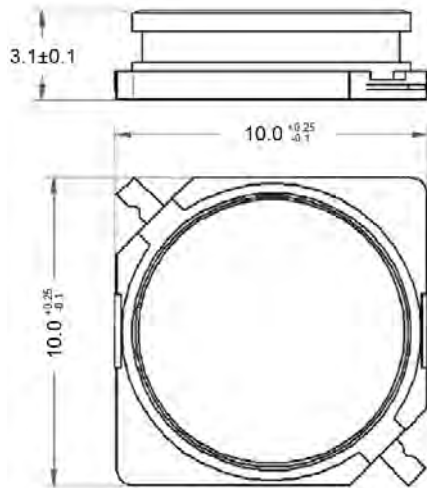
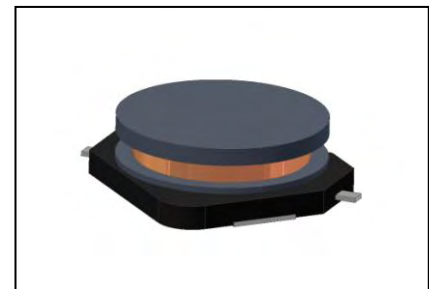
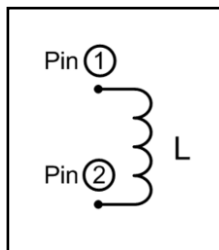


### 1. Dimensions and Recommended Pad Layout



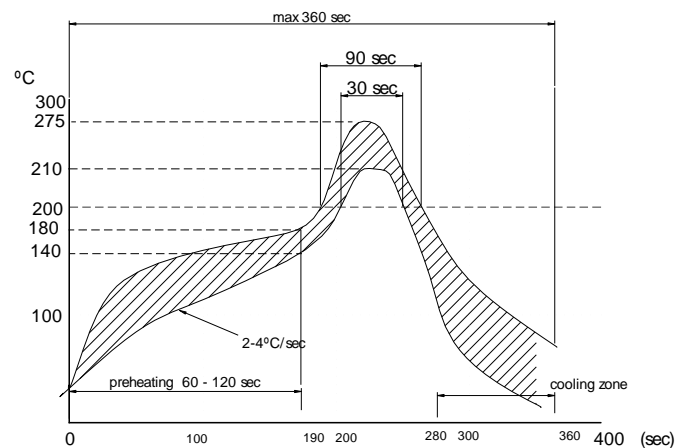
Recommended pad layout

### 2. Schematic Diagram



### 3. General Specifications. Recommended Reflow Profile

- Operating Frequency: 13.56 MHz
- Operating Temperature: -40 °C → +100 °C
- Storage temperature: -40 °C to +125 °C.
- Operating Voltage: < 50 V
- Operating Current: < 0.5A



Lead Free Reflow Profile

### 4. Electrical Characteristics

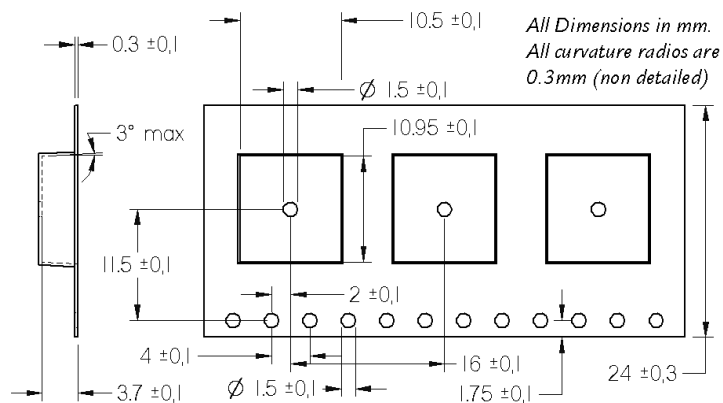
#### ZC1003HF (2.5μH)

Code	L @13,56 MHz (μH)	Q min. @13,56MHz	SRF min. (MHz)	DCR. (Ohm)
ZC1003HF-00025K	2.5 ± 10%	80	25	0.130 ± 10%

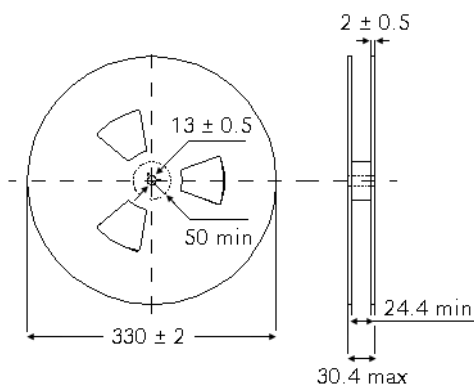
Inductance, Q factor, DCR and SRF measured with an LCR meter HP 4887A

### 5. Packaging Information

#### TAPING SPECIFICATION (According to EIA481)



#### REEL



#### PARTS PER REEL

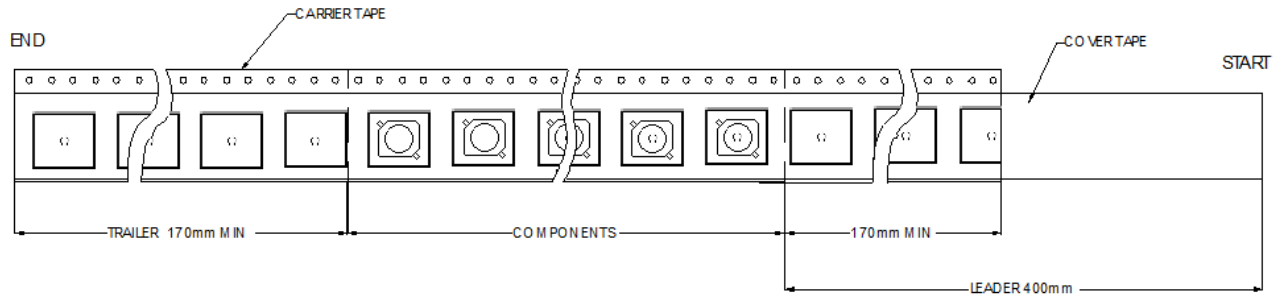
7"
600

#### MATERIAL LIST

ITEM	MATERIAL
Reel	Shock-Proof Polystyrol antistatic
Carrier tape	PC brown color antistatic 0.5 mm
Cover tape	Polyester with antistatic coating

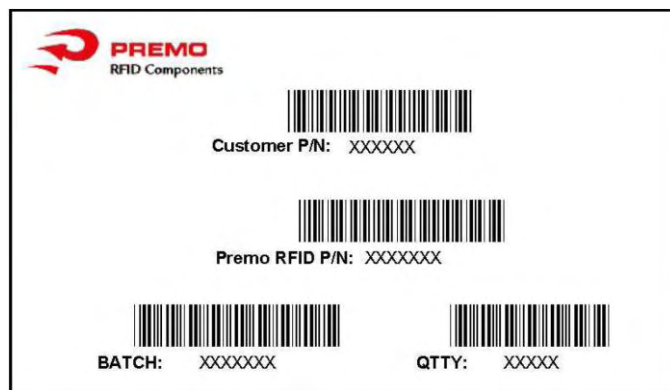
All dimensions in mm

### TAPING



### 6. Labelling

Parts are not individually labelled



PACKAGE LABELLING

### 7. Reliability Tests

This part is according to AEC-Q200 Revision D.

Edition	Revision date
1	03/03/2014