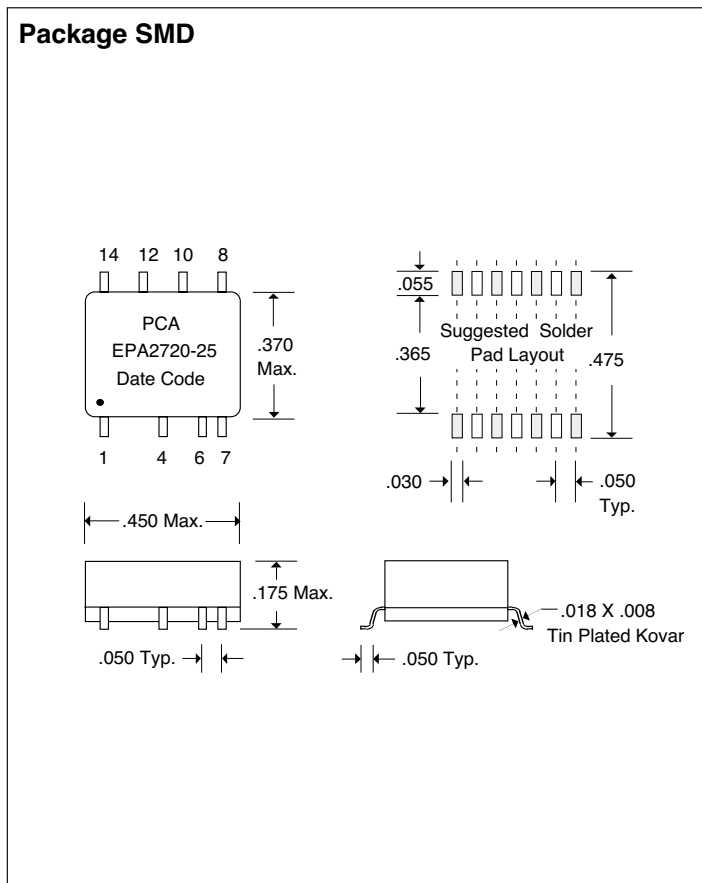
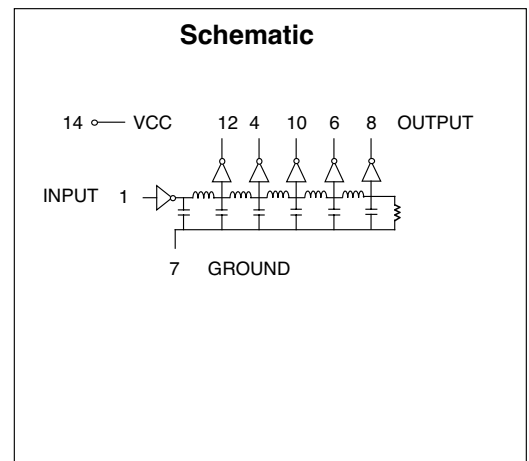


SMD 14 Pin 5 Tap TTL Compatible Active Delay Lines

Delays are $\pm 5\%$ or ± 2 nS Tap Total		PCA Part Number	Delays are $\pm 5\%$ or ± 2 nS Tap Total		PCA Part Number
5, 10, 15, 20	25	EPA2720-25	20, 40, 60, 80	100	EPA2720-100
6, 12, 18, 24	30	EPA2720-30	25, 50, 75, 100	125	EPA2720-125
7, 14, 21, 28	35	EPA2720-35	30, 60, 90, 120	150	EPA2720-150
8, 16, 24, 32	40	EPA2720-40	35, 70, 105, 140	175	EPA2720-175
9, 18, 27, 36	45	EPA2720-45	40, 80, 120, 160	200	EPA2720-200
10, 20, 30, 40	50	EPA2720-50	45, 90, 135, 180	225	EPA2720-225
12, 24, 36, 48	60	EPA2720-60	50, 100, 150, 200	250	EPA2720-250
15, 30, 45, 60	75	EPA2720-75			

Delay times referenced from input to leading edges at 25°C, 5.0V, with no load.

DC Electrical Characteristics					
Parameter	Test Conditions	Min	Max	Unit	
V _{OH}	High-Level Output Voltage	V _{CC} = min. V _{IL} = max. I _{OH} = max	2.7		V
V _{OL}	Low-Level Output Voltage	V _{CC} = min. V _{IH} = min. I _{OL} = max		0.5	V
V _{IK}	Input Clamp Voltage	V _{CC} = min. I _I = I _{IK}		-1.2	V
I _{IH}	High-Level Input Current	V _{CC} = max. V _{IN} = 2.7V		50	μA
		V _{CC} = max. V _{IN} = 5.25V		1.0	mA
I _{IL}	Low-Level Input Current	V _{CC} = max. V _{IN} = 0.5V		-2	mA
I _{OS}	Short Circuit Output Current	V _{CC} = max. V _{OUT} = 0. (One output at a time)	-40	-100	mA
I _{CCH}	High-Level Supply Current	V _{CC} = max. V _{IN} = OPEN		75	mA
I _{CCL}	Low-Level Supply Current	V _{CC} = max. V _{IN} = 0		75	mA
T _{RO}	Output Rise Time	T _d ≤ 500 nS (0.75 to 2.4 Volts)		4	nS
N _H	Fanout High-Level Output	V _{CC} = max. V _{OH} = 2.7V		20	TTL LOAD
N _L	Fanout Low-Level Output	V _{CC} = max. V _{OL} = 0.5V		10	TTL LOAD



Recommended Operating Conditions				
		Min	Max	Unit
V _{CC}	Supply Voltage	4.75	5.25	V
V _{IH}	High-Level Input Voltage	2.0		V
V _{IL}	Low-Level Input Voltage		0.8	V
I _{IK}	Input Clamp Current		-18	mA
I _{OH}	High-Level Output Current		-1.0	mA
I _{OL}	Low-Level Output Current		20	mA
PW*	Pulse Width of Total Delay	40		%
d*	Duty Cycle		40	%
T _A	Operating Free-Air Temperature	0	+70	°C

*These two values are inter-dependent.

Input Pulse Test Conditions @ 25° C			
			Unit
E _{IN}	Pulse Input Voltage	3.2	Volts
PW	Pulse Width % of Total Delay	110	%
T _{RI}	Pulse Rise Time (0.75 - 2.4 Volts)	2.0	nS
PRR	Pulse Repetition Rate @ T _d ≤ 200 nS	1.0	MHz
	Pulse Repetition Rate @ T _d > 200 nS	100	KHz
V _{CC}	Supply Voltage	5.0	Volts

16799 SCHOENBORN ST.
NORTH HILLS, CA 91343
TEL: (818) 892-0761
FAX: (818) 894-5791