

# MICRO SWITCH

FREEDPORT ILLINOIS, U.S.A  
A DIVISION OF HONEYWELL  
FED. MFG. CODE 91929

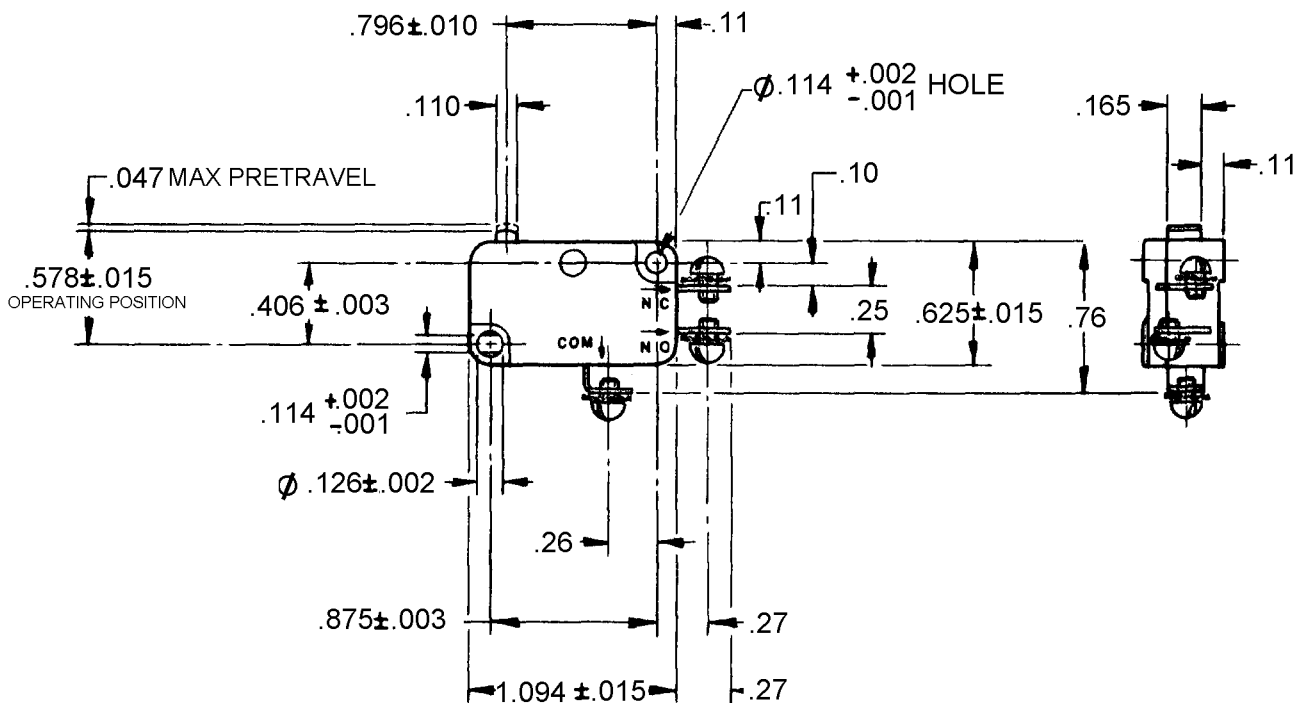
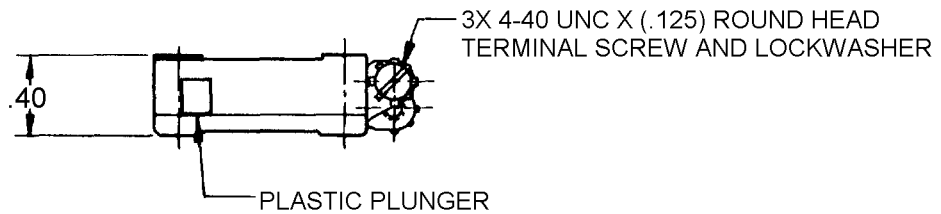
# SWITCH-BASIC

CATALOG LISTING

## V3-1201

MILITARY STDS PART NO.  
M8805/90-001

## CK-N1201



NOTE  
1 - "M8805/90-001" AND SOURCE CODE "91929" MARKED ON SWITCH  
AND LABEL OF PACKING BOX

ANSI Y14.5M-1982 APPLIES

THIS DRAWING COVERS A PROPRIETARY ITEM AND IS THE PROPERTY OF MICRO SWITCH, A DIVISION OF HONEYWELL. THIS DRAWING IS NOT TO BE COPIED OR USED WITHOUT THE APPROVAL OF MICRO SWITCH.

### CHARACTERISTICS

OPERATING FORCE ----- 75 GRAM MAX  
RELEASE FORCE ----- 10 GRAM MIN  
DIFFERENTIAL TRAVEL ----- .002-.010  
OVERTRAVEL ----- .050 MIN  
FREE POSITION ----- .625 MAX  
RELEASE TRAVEL ----- .010 MIN

### ELECTRICAL DATA

CONTACT ARRANGEMENT  
S P D T

### SCALE FULL

DO NOT SCALE PRINT

UNLESS OTHERWISE NOTED

DIMENSIONS ARE IN INCHES

### TOLERANCES ARE:

ONE PLACE	(.0)	±.030
TWO PLACE	(.00)	±.015
THREE PLACE	(.000)	±.005
ANGLES		±

WEIGHT 9.1 GRAMS

V3-1201

PAGE 1 OF 1

REPLACES

PR-2340

RELEASE NO.

M

DRAWING NUMBER

ISSUE

6

CHECK

### REVISIONS

A	PR-2340
	S R H
3	JAN 72
	CO
B	39182
	G A S
18	FEB 78
C	C045436
	D J W
31	JAN 78
	CO
D	76499
	D C S
6	JAN 94
E	201691
	G J W
8	NOV 00

CHECK

4 JAN 72

DRAW

CHECK

72

JAN

3

DRAWN

FO-50378-1A