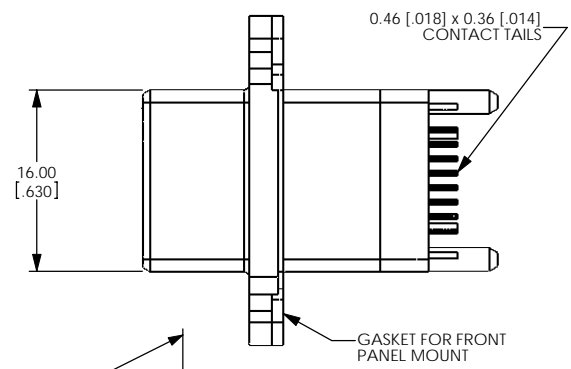
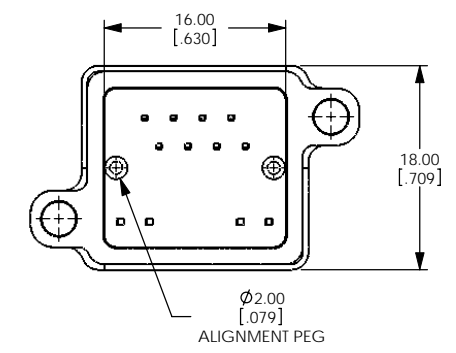
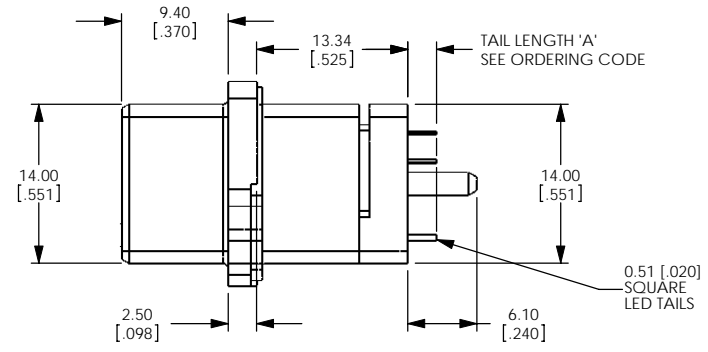
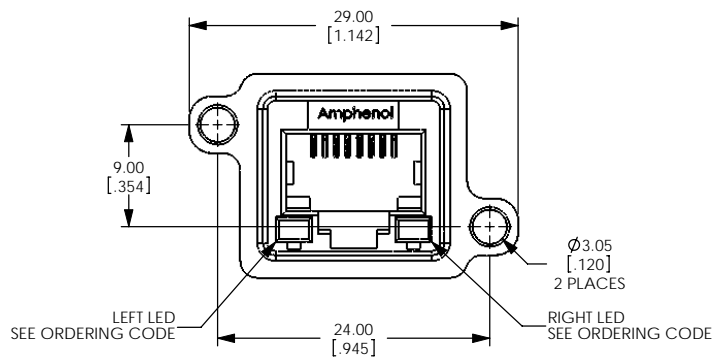


REVISIONS			
REV	ECN, ERN NO.	DATE	APPRD.
A	PRODUCT DRAWING	TBD	K.L.



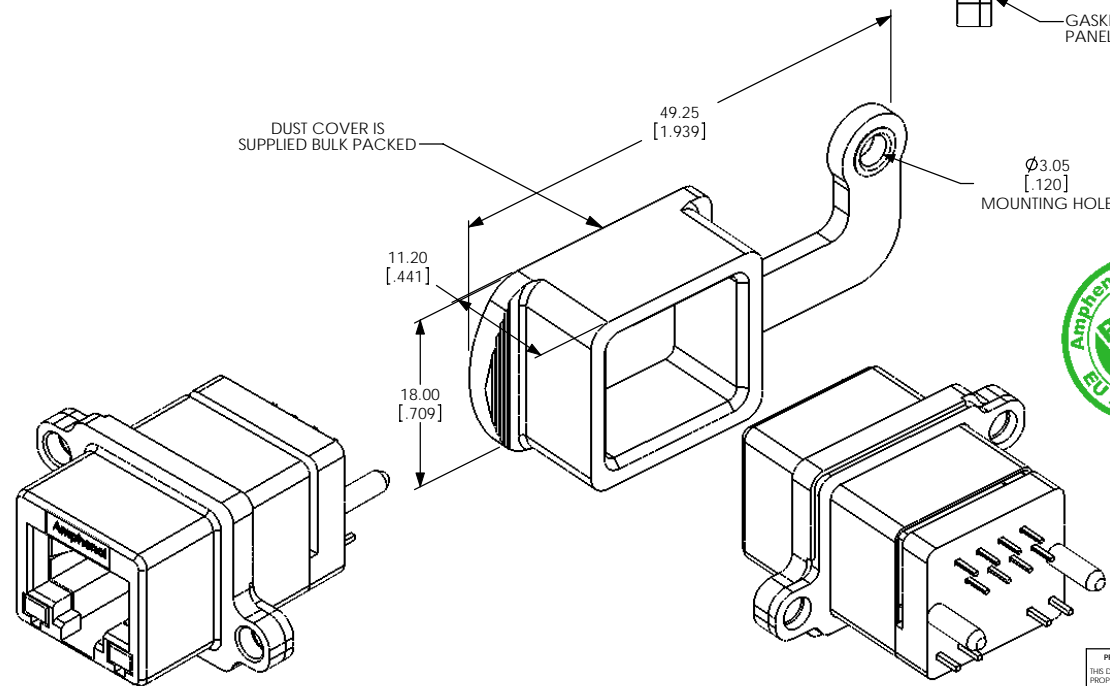
ORDERING CODE: **MRJ-518X-X1**

- SERIES, RUGGED RJ
- RECEPTACLE
- VERTICAL MOUNT WITH DUST COVER SUPPLIED
- NUMBER OF CONTACTS
- LED OPTION
 - 0=NONE
 - 1=GREEN LEFT, YELLOW RIGHT
 - 4=YELLOW LEFT, GREEN RIGHT
 - 5=GREEN LEFT, GREEN RIGHT
- CONTACT TAIL OPTION
 - 0: TAIL LENGTH A=2.54 [.100]
 - B: TAIL LENGTH A=3.81 [.150]
- SINGLE PORT

DUST COVER IS SUPPLIED BULK PACKED

49.25 [1.939]

Ø3.05 [.120] MOUNTING HOLE



NOTES:

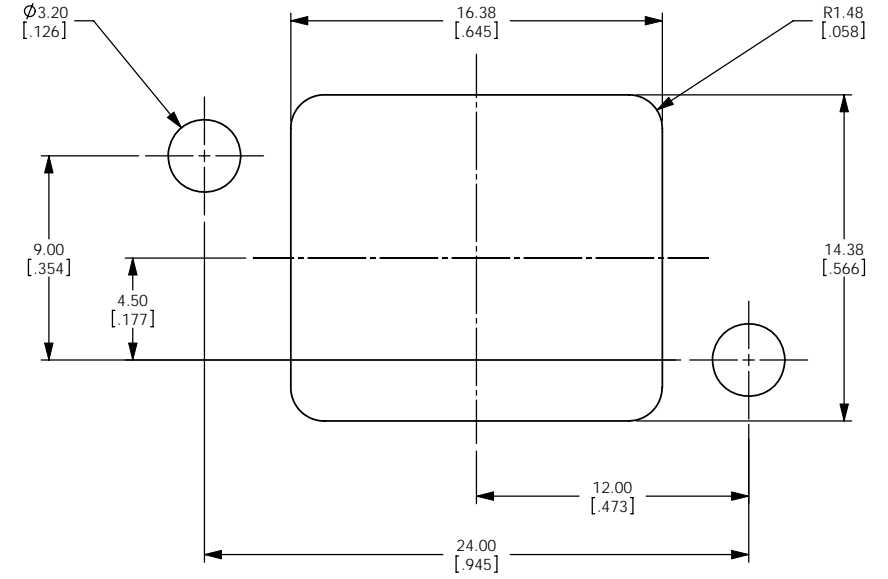
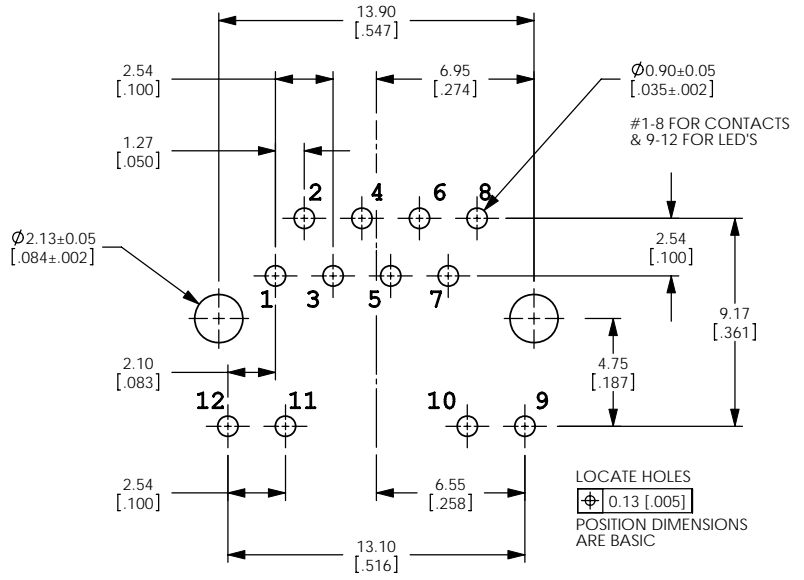
- MATERIAL: ALL MATERIALS ARE RoHS COMPLIANT PER EU DIRECTIVE 2002/95/EC AND AMENDMENTS
 - SHELL - DIECAST ZINC, NICKEL PLATED
 - CONTACTS - PHOSPHOR BRONZE WITH 50 MICROINCHES (1.27 MICRONS) GOLD OVER 50 MICROINCHES (1.27 MICRONS) MINIMUM NICKEL ON THE MATING AREA AND GOLD OVER NICKEL ON THE CONTACT TAILS.
 - INSERTS - ENGINEERING THERMOPLASTIC, UL FLAMMABILITY RATING 94V-0, REAR INSERTS: BLACK, FRONT INSERT: CLEAR
 - LED'S - EPOXY LENS, STEEL TAILS WITH TIN PLATING
 - GASKET & DUST COVER - SILICONE RUBBER
- ENVIRONMENTAL PERFORMANCE PER IEC 60529 CODE IP67 FOR SEAL BETWEEN MATING AREA AND PCB SIDE OF CONNECTOR. GASKET PROVIDES FOR SEAL TO OUTSIDE FACE OF PANEL. SUPPLIED DUST COVER PROVIDES ADDED PROTECTION.
- CURRENT RATING: 1.5 AMPERES
- CONTACT RESISTANCE: 30 MILLIOHMS MAXIMUM
- OPERATING TEMPERATURE: -40C TO +105C

UNLESS OTHERWISE SPECIFIED:		DATE		Amphenol Canada Corp.
DIMENSIONS ARE IN MILLIMETERS		DRAWN	A. DODDS	
TOLERANCES:		DESIGNED		MRJ SERIES RUGGED MODULAR JACK, 8 POSITION VERTICAL, LED & TAIL LENGTH OPTIONS, FRONT PANEL MOUNT, DUST COVER, RoHS COMPLIANT
FRACTIONAL ±		CHECKED		
ANGULAR MATCH ± BEND ±		K. LAMBIE		
TWO PLACE DECIMAL ±		TBD		
THREE PLACE DECIMAL ±		I.E. APPRD.		
INTERPRET GEOMETRIC TOLERANCING PER:		D. A. APPRD.		
MATERIAL:		DWG. APPRD.		
FINISH:		ENG. REL. NO. EAR E13132		
REF.		DIMENSIONS ARE IN MILLIMETERS		CODE ID. NO.
NEXT ASSY	USED ON	SCALE: 3:1		WEIGHT:
APPLICATION		DO NOT SCALE DRAWING		SHEET 1 OF 2

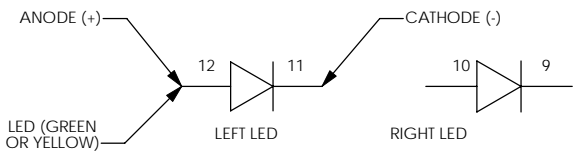
PROPRIETARY AND CONFIDENTIAL
THIS DOCUMENT CONTAINS PROPRIETARY INFORMATION AND SUCH INFORMATION MAY NOT BE DISCLOSED TO OTHERS FOR ANY PURPOSE OR USED FOR MANUFACTURING PURPOSES WITHOUT WRITTEN PERMISSION FROM AMPHENOL CANADA CORP.

SIZE DWG. NO. REV
C P-MRJ-518X-X1 **A**

REVISIONS			
REV	ECN, ERN NO.	DATE	APPRD.
A	PRODUCT DRAWING	TBD	K.L.



RECOMMENDED PANEL CUTOUT
(FRONT OF PANEL)



RECOMMENDED P.C.B. LAYOUT
(COMPONENT SIDE OF BOARD)



PROPRIETARY AND CONFIDENTIAL
 THIS DOCUMENT CONTAINS PROPRIETARY INFORMATION AND SUCH INFORMATION MAY NOT BE DISCLOSED TO OTHERS FOR ANY PURPOSE OR USED FOR MANUFACTURING PURPOSES WITHOUT WRITTEN PERMISSION FROM AMPHENOL CANADA CORP.

UNLESS OTHERWISE SPECIFIED:	DATE	Amphenol Canada Corp.
DIMENSIONS ARE IN MILLIMETERS	DRAWN: A. DODDS JUN28/07	
TOLERANCES:	DESIGNED	MRJ SERIES RUGGED MODULAR JACK, 8 POSITION VERTICAL, LED & TAIL LENGTH OPTIONS, FRONT PANEL MOUNT, DUST COVER, RoHS COMPLIANT
FRACTIONAL: ±	CHECKED: K. LAMBIE TBD	
ANGULAR: MATCH BEND ±	I. E. APPRD.	
TWO PLACE DECIMAL ±	D. A. APPRD.	
THREE PLACE DECIMAL ±	DWG. APPRD.	SIZE DWG. NO.
INTERPRET GEOMETRIC TOLERANCING PER:	ENG. REL. NO. EAR E13132	C P-MRJ-518X-X1 A
MATERIAL	REF.	SCALE: 6:1 WEIGHT:
FINISH	DIMENSIONS ARE IN MILLIMETERS	SHEET 2 OF 2
APPLICATION	DO NOT SCALE DRAWING	