

PLEASE CHECK WWW.MOLEX.COM FOR LATEST PART INFORMATION

Part Number: **0743203008**

Status: **Active**

Description: MicroCross™ DVI-A Analog Visual Interface, PCB Receptacle, Panel Mount, Through Hole, Vertical, 0.76µm (30µ) Gold (Au), Lead Free, Screw Hole, 4-40 Thread, 12 Circuits

Documents:

[Drawing \(PDF\)](#)

[Test Summary \(PDF\)](#)

[Product Specification PS-74320-001 \(PDF\)](#)

[RoHS Certificate of Compliance \(PDF\)](#)

Agency Certification

UL E29179

General

Product Family I/O Connectors
Series [74320](#)
Application Wire-to-Board
Comments DDWG (Digital Display Working Group) Standard
Component Type Receptacle
Product Name MicroCross™DVI
Type N/A

Physical

Boot Color N/A
Circuits (Loaded) 12
Circuits (maximum) 24
Color - Resin Natural
Durability (mating cycles max) 100
Flammability 94V-0
Gender Receptacle
Keying to Mating Part Yes
Lock to Mating Part Yes
Material - Metal Copper Alloy
Material - Plating Mating Gold
Material - Plating Termination Tin
Number of Rows 3
Orientation Vertical
PC Tail Length (in) 0.092 In
PC Tail Length (mm) 2.34 mm
PCB Locator Yes
PCB Retention Yes
Packaging Type Tray
Panel Mount Yes
Pitch - Mating Interface (in) 0.075 In
Pitch - Mating Interface (mm) 1.91 mm
Pitch - Term. Interface (in) 0.075 In
Pitch - Term. Interface (mm) 1.91 mm
Plating min: Mating (µin) 30
Plating min: Mating (µm) 0.76
Plating min: Termination (µin) 100
Plating min: Termination (µm) 2.50
Polarized to Mating Part Yes
Polarized to PCB Yes
Ports 1
Surface Mount Compatible (SMC) No
Temperature Range - Operating -20°C to +85°C

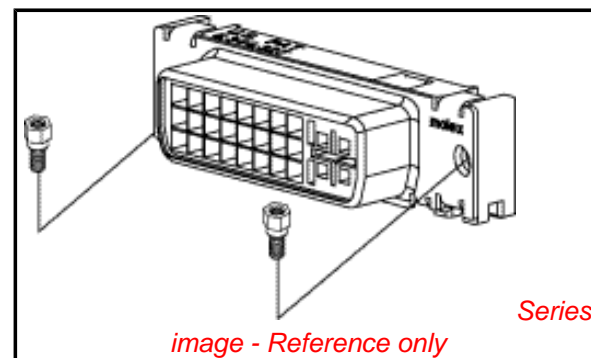


image - Reference only

EU RoHS

**ELV and RoHS
Compliant**

REACH SVHC

Not Reviewed

Halogen-Free

Status

Not Reviewed

**Need more information on product
environmental compliance?**

Email productcompliance@molex.com
For a multiple part number RoHS Certificate of
Compliance, [click here](#)

Please visit the [Contact Us](#) section for any
non-product compliance questions.

China RoHS



Search Parts in this Series

[74320Series](#)

Mates With

[88744](#) , [74323](#)

Use With

[71781](#) Panel Mount Hex Screw Kit

| | |
|------------------------------|--------------|
| Termination Interface: Style | Through Hole |
| Waterproof / Dustproof | No |
| Wire Size AWG | N/A |

Electrical

| | |
|-------------------------------|--------------|
| Current - Maximum per Contact | 3A |
| Grounding to Panel | Yes |
| Shield Type | Full Shield |
| Shielded | Yes |
| Voltage - Maximum | 40V AC (RMS) |

Solder Process Data

| | |
|------------------------------|------------------------|
| Lead-free Process Capability | Wave Capable (TH only) |
|------------------------------|------------------------|

Material Info**Reference - Drawing Numbers**

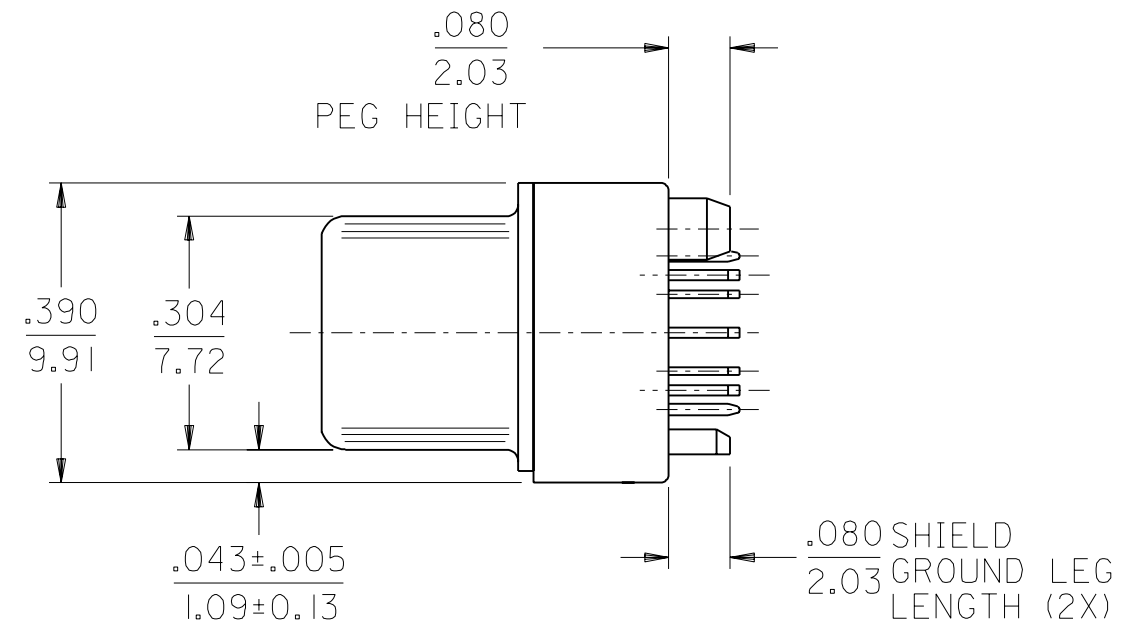
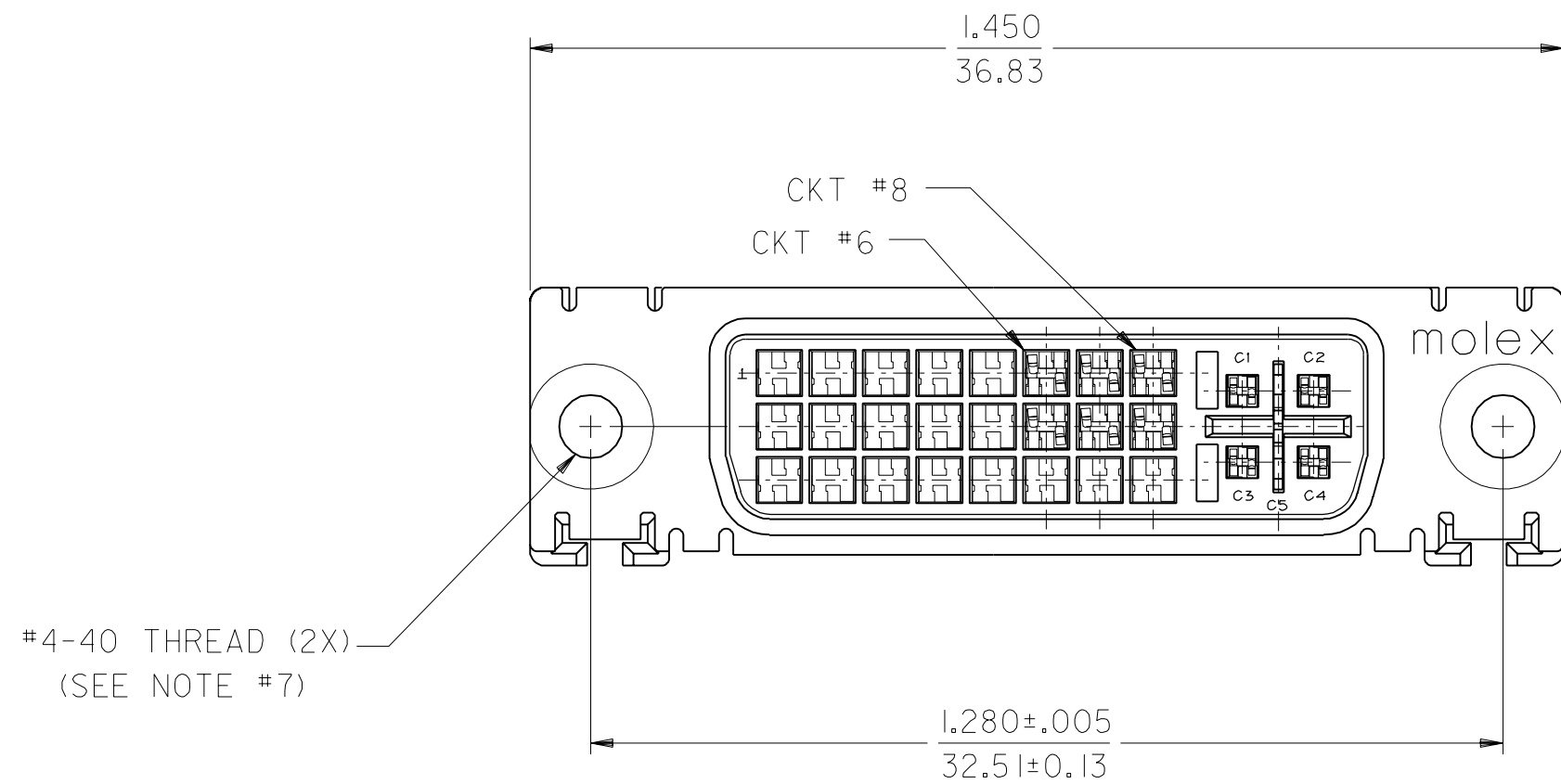
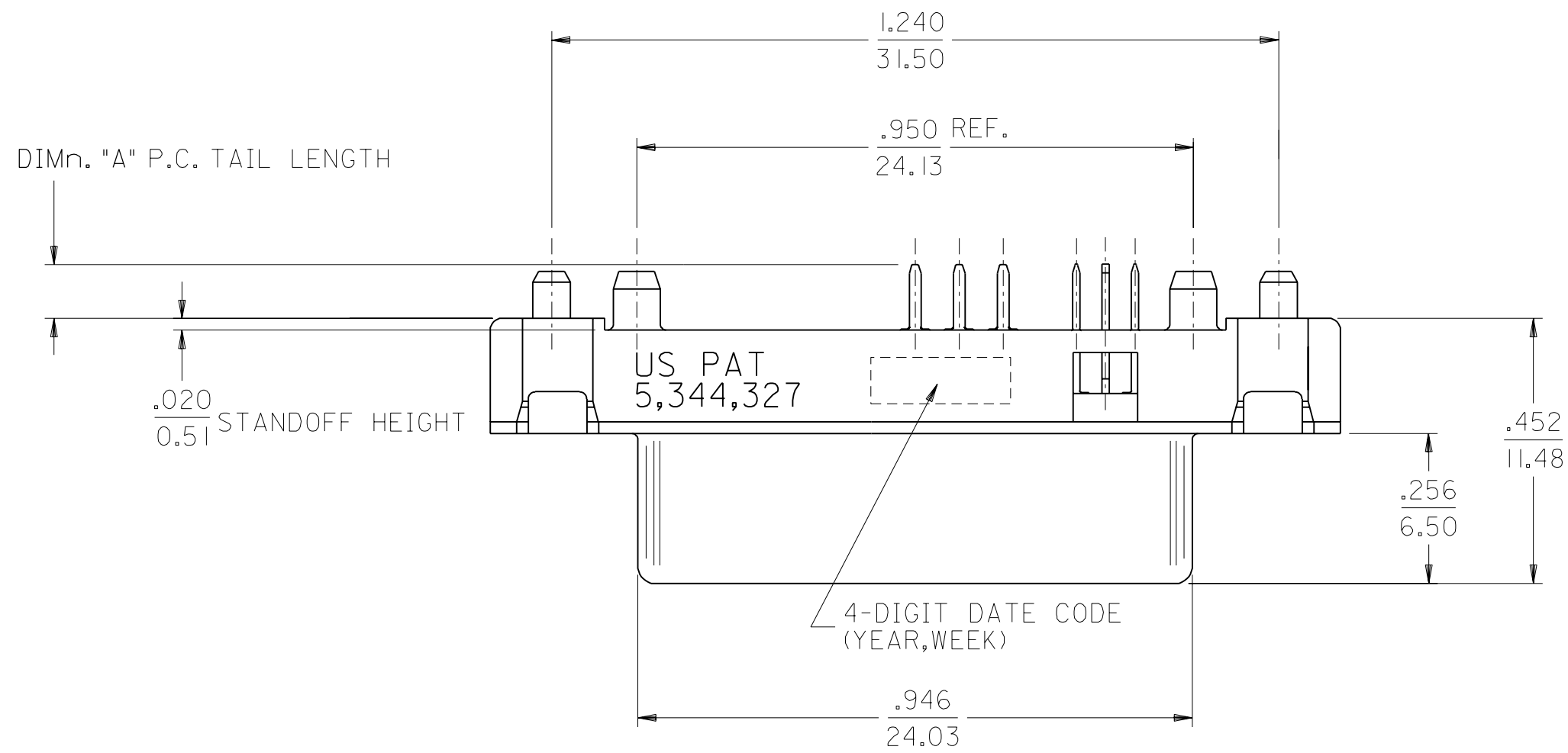
| | |
|-----------------------|--------------|
| Product Specification | PS-74320-001 |
| Sales Drawing | SD-74320-016 |

This document was generated on 04/05/2010

PLEASE CHECK WWW.MOLEX.COM FOR LATEST PART INFORMATION

NOTES:

- MATERIALS:
 SHIELD -- DEEP DRAW STEEL.
 HOUSING -- GLASS FILLED POLYMER, NATURAL (WHITE), UL 94V-0.
 CONTACTS -- COPPER ALLOY.
 MICROCROSS GROUND -- COPPER ALLOY
- PLATING: SEE SHEET 2.
- PRODUCT CONFORMS TO MOLEX PRODUCT SPECIFICATION NUMBER PS-74320-001.
- SEE SHEET 2 FOR RECOMMENDED PANEL CUT-OUT AND P.C.B. LAYOUT.
- PARTS WILL BE PACKAGED IN TRAYS PER PK-74320-010.
- PRODUCT CONFORMS TO DDWG DVI SPECIFICATION. REFER TO THIS SPECIFICATION FOR CONNECTOR MATING DIMENSIONS.
- RECOMMENDED MOUNTING HARDWARE IS MOLEX P/N 71781-0001 OR 82007-0300 OR 88780-6066. REFER TO PRODUCT SPECIFICATION NUMBER PS-74320-001 FOR THE APPLICATION TORQUE REQUIREMENT FOR ASSEMBLING MOUNTING HARDWARE.



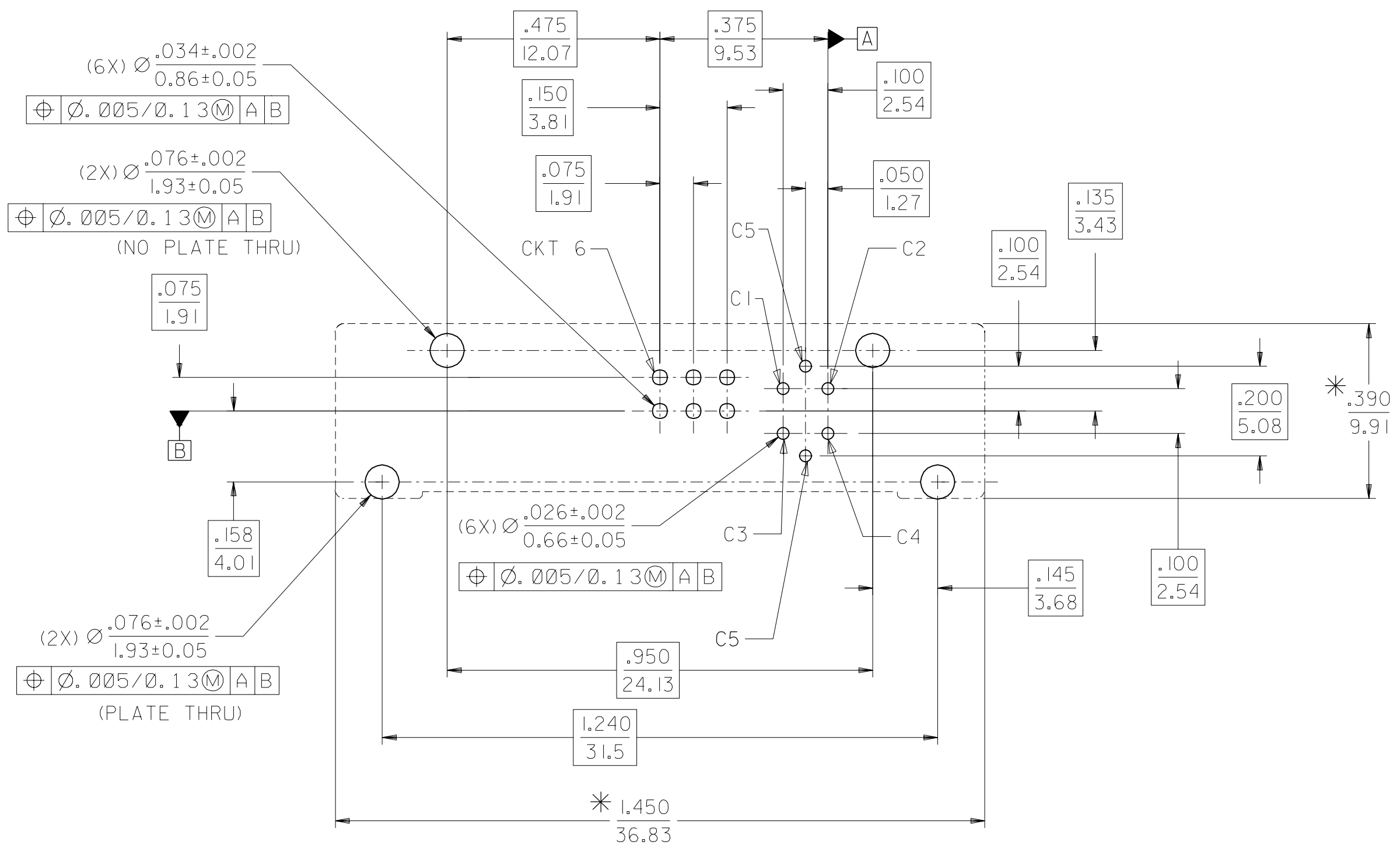
| PART NUMBER | DIMn "A" | PLATING OPTION |
|-------------|-----------|----------------|
| 74320-3008 | .092/2.34 | 1 |
| 74320-3009 | .092/2.34 | 2 |

| MODIFICATION | DESCRIPTION | QUALITY SYMBOLS |
|--|-------------------|-------------------|
| EC No. SH2004-0130 DRWN: DXUE 04/03/05 CHK: HARVEY 04/03/11 APPR: SHUANG 04/03/12 | MAJOR CRITICAL | MAJOR CRITICAL |
| D | REV | |

| GENERAL TOLERANCES: (UNLESS SPECIFIED) | SCALE | DESIGN UNITS |
|---|-------|--------------|
| 4 PLACES ±0.10 3 PLACES ±0.15 2 PLACES ±0.25 1 PLACE ±0.25 | 4 : 1 | mm |
| ANGULAR: ± 1/2° | | |

| DRAWN BY & DATE | CHECKED BY & DATE | APPROVED BY & DATE |
|-----------------|-------------------|--------------------|
| KSMITH 99/07/15 | DSCHMIDG 99/07/15 | RNELSON 99/07/15 |

| TITLE: | MATERIAL NO. | DRAWING NO. | SHEET NO. |
|---------------------------------------|--------------|--------------|-----------|
| DVI - A VERTICAL RECEPTACLE CONNECTOR | SEE CHART | SD-74320-016 | 1 OF 2 |



RECOMMENDED PCB LAYOUT

* THESE DIMENSIONS REPRESENT CONNECTOR OVERLAY ON PCB.

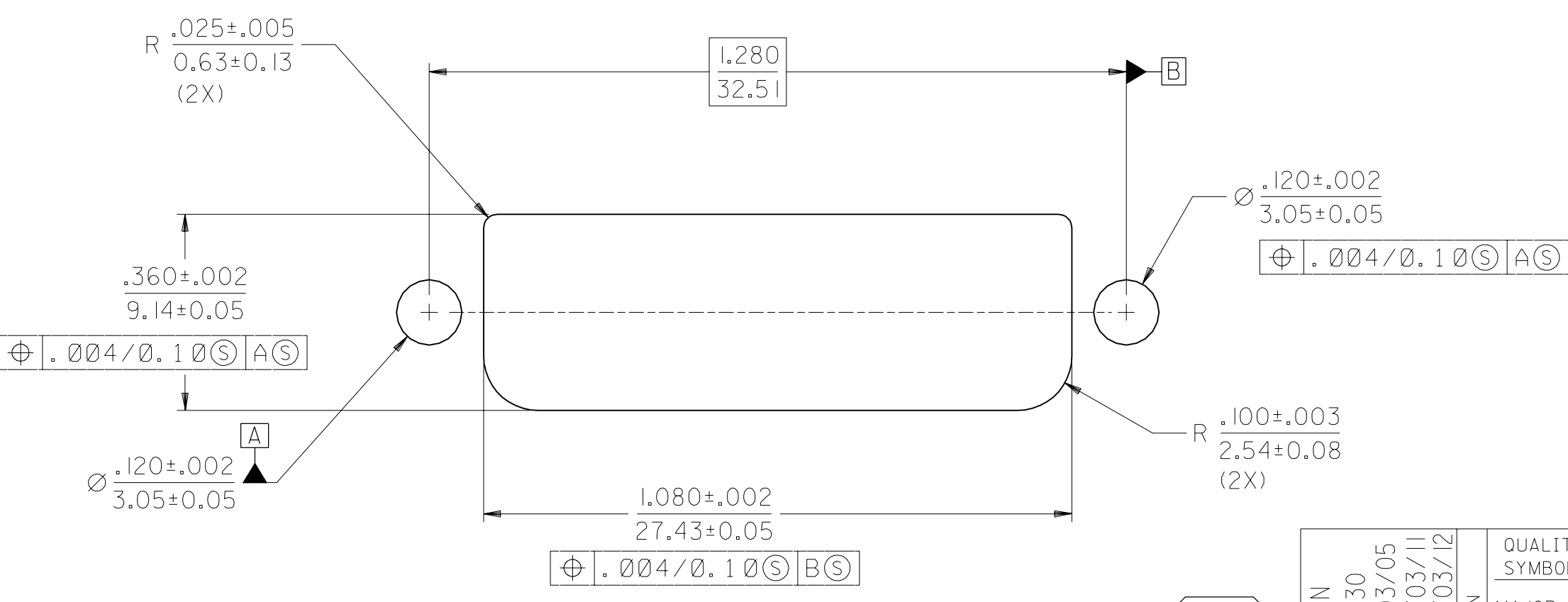
PLATING OPTIONS:

PLATING OPTION #1:

- OUTER SHIELD -- 150u"/3.75um MIN. BRIGHT TIN OVER 50u"/1.27um MIN. NICKEL OVER COPPER FLASH.
- .075"/1.91mm CONTACTS -- 30u"/0.75um MIN. SELECT GOLD AND 100u"/2.50um MIN. SELECT PURE TIN OVER 50u"/1.27um MIN. NICKEL OVERALL.
- .100"/2.54mm CONTACTS -- 30u"/0.75um MIN. SELECT GOLD AND 100u"/2.50um MIN. SELECT PURE TIN OVER 50u"/1.27um MIN. NICKEL OVERALL.
- MICROCROSS GROUND -- 30u"/0.75um MIN. SELECT GOLD AND 100u"/2.50um MIN. SELECT PURE TIN OVER 50u"/1.27um MIN. NICKEL OVERALL.

PLATING OPTION #2:

- OUTER SHIELD -- 150u"/3.75um MIN BRIGHT TIN OVER 50u"/1.27um MIN. NICKEL OVER COPPER FLASH.
- .075"/1.91mm CONTACTS -- SELECT GOLD FLASH AND 100u"/2.50um MIN. SELECT PURE TIN OVER 50u"/1.27um MIN. NICKEL OVERALL.
- .100"/2.54mm CONTACTS -- SELECT GOLD FLASH AND 100u"/2.50um SELECT PURE TIN OVER 50u"/1.27um MIN. NICKEL OVERALL.
- MICROCROSS GROUND -- 30u"/0.75um MIN. SELECT GOLD AND 100u"/2.50um MIN. SELECT PURE TIN OVER 50u"/1.27um MIN. NICKEL OVERALL.



RECOMMENDED PANEL CUT-OUT
PANEL THICKNESS: .030/0.76 - .040/1.02

| REV | DESCRIPTION | QUALITY SYMBOLS |
|-----|--|---------------------------|
| D | MODIFICATION EC NO: SH2004-0130 DRWN: DXUE 04/03/05 CHK: HARVEY 04/03/11 APPR: SHUANG 04/03/12 | MAJOR = 0 CRITICAL = 0 |

| GENERAL TOLERANCES: (UNLESS SPECIFIED) | |
|--|-------|
| 4 PLACES | ±0.10 |
| 3 PLACES | ±0.15 |
| 2 PLACES | ±0.25 |
| 1 PLACE | ±0.50 |
| ANGULAR: ± 1/2° | |
| DRAFT WHERE APPLICABLE MUST REMAIN WITHIN DIMENSIONS | |

| | | |
|--|--|---|
| SCALE 4 : 1 | DESIGN UNITS <input type="checkbox"/> mm <input checked="" type="checkbox"/> INCH | THIRD ANGLE PROJECTION <input checked="" type="checkbox"/> THIRD ANGLE |
| DRAWN BY & DATE KSMITH 99/07/15 | | TITLE: DVI - A VERTICAL RECEPTACLE CONNECTOR |
| CHECKED BY & DATE DSCHMIDG 99/07/15 | | MOLEX INCORPORATED |
| APPROVED BY & DATE RNELSON 99/07/15 | | |
| CAD FILENAME SD74320016.S02 | MATERIAL NO. SEE CHART | DRAWING NO. SD-74320-016 |

| | | | |
|--|--|-----------|-----|
| DIMENSIONS: <input type="checkbox"/> mm <input checked="" type="checkbox"/> INCH | | SHT | REV |
| REVISIONS | | 2 | 1 |
| THIS DRAWING CONTAINS INFORMATION THAT IS PROPRIETARY TO MOLEX INCORPORATED AND SHOULD NOT BE USED WITHOUT WRITTEN PERMISSION. | | SIZE C | |