

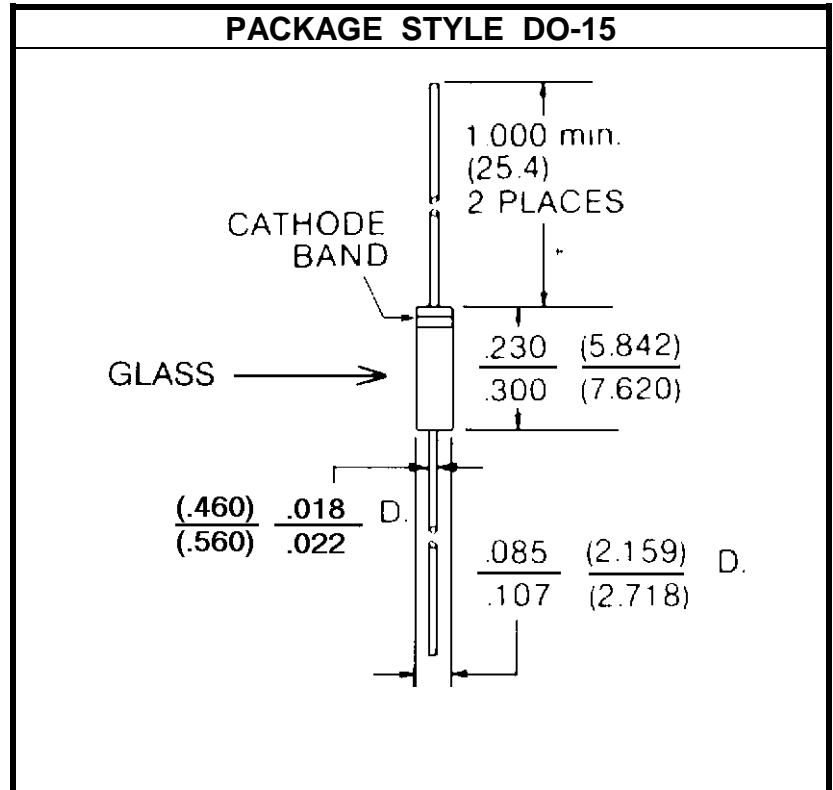
# SCHOTTKY BARRIER DIODE

**DESCRIPTION:**

The **ASI 5082-2301** is a Silicon Small Signal Schottky Diode for General Purpose UHF/VHF Detection and Pulse Applications. Color Band Indicates Cathode.

**MAXIMUM RATINGS**

|               |   |
|---------------|---|
| $I_F$         | 35 mA   |
| $V_R$         | 30 V  |
| $P_{DISS}$    | 250 mW @ $T_A = 25\text{ }^\circ\text{C}$     |
| $T_J$         | -60 $^\circ\text{C}$ to +200 $^\circ\text{C}$ |
| $T_{STG}$     | -60 $^\circ\text{C}$ to +200 $^\circ\text{C}$ |
| $\theta_{JC}$ | 700 $^\circ\text{C/W}$                        |


**CHARACTERISTICS**  $T_C = 25\text{ }^\circ\text{C}$ 

| SYMBOL   | TEST CONDITIONS   | MINIMUM | TYPICAL | MAXIMUM    | UNITS |
|----------|---|---------|---------|------------|-------|
| $V_{BR}$ | $I_R = 10\text{ }\mu\text{A}$   | 30      |         |            | V     |
| $I_R$    | $V_R = 15\text{ V}$   |         |         | 300        | nA    |
| $V_F$    | $I_F = 1.0\text{ mA}$<br>$I_F = 50\text{ mA}$   |         |         | 0.4<br>1.0 | V     |
| $C_T$    | $V_R = 0\text{ V}$ <span style="margin-left: 100px;"><math>f = 1.0\text{ MHz}</math></span> |         |         | 1.0        | pF    |
| $\tau$   | $I_F = 20\text{ mA}$  |         |         | 100        | pS    |