

### Specifications:

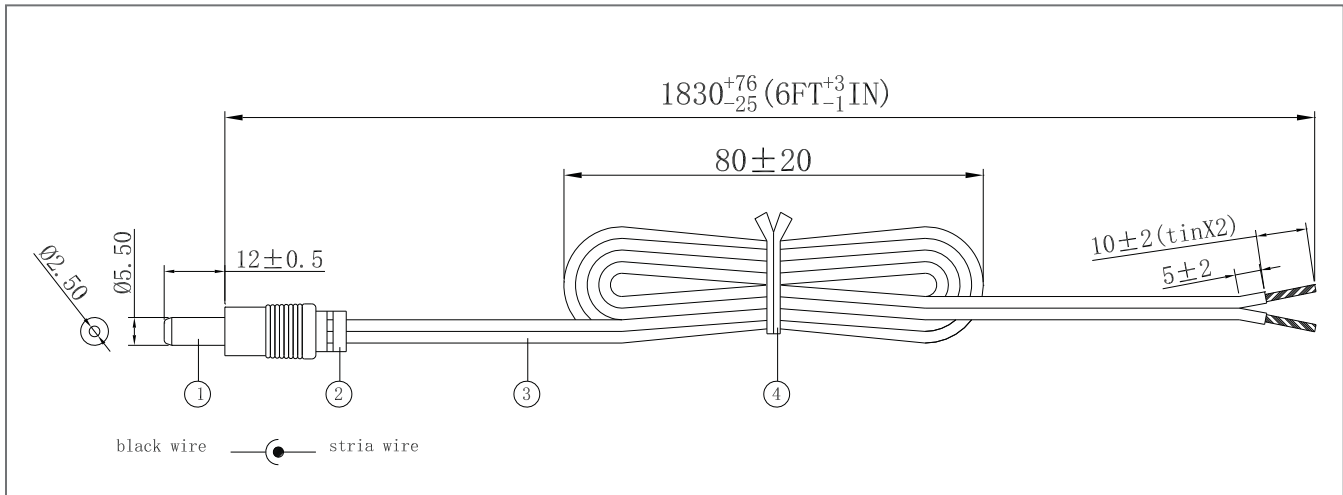
plug description (1)	Ø2.5 x 5.5 x 22 ±0.5 with black insulator
plug overmold (2)	30P, black PVC (including strain relief)
cable description (3)	0.16 x 41, 2 conductor, black twin wire
cable outer diameter	4.6 ± 0.1 (each conductor 2.3)
cable material	UL 2468
cable color	black
cable gauge	AWG #18
cable length	1830
twist tie	black
max voltage	36 Vdc
max current	3 A

Notes: RoHS compliant

Function test: no open, no reversed polarity, no short circuit, no INT

Hi-Pot test: 600 Vac, 05 mA, 1 second

### Mechanical drawing:



tolerance X: ±0.5 mm .X: ±0.25 mm .XX: ±0.05 mm

**Revision notes:**

Rev	Date	Description
A	January 19, 2009	Re-issued; original specification issued by CUI, re-issued by Tensility without any material or mechanical changes.

tolerance X:  $\pm 0.5$  mm .X:  $\pm 0.25$  mm .XX:  $\pm 0.05$  mm