

PM5371

TUDX

**SONET/SDH TRIBUTARY UNIT
CROSS CONNECT**

DATA SHEET

ISSUE 6: SEPTEMBER 1998

REVISION HISTORY

Issue No.	Issue Date	Details of Change
6	September 1998	<ol style="list-style-type: none">1. Corrected some formatting problems.2. Corrected documentation errata from TUDX errata document (issue 1). Issue 1 errata is now obsolete.3. Issue 5 contained two different mechanical diagrams. Incorrect diagram was removed.4. All references to PQFP changed to MQFP which is a more technically correct description of the package.
5	July 1998	Data Sheet Reformatted — No Change in Technical Content.

CONTENTS

1	FEATURES	1
2	APPLICATIONS	2
3	REFERENCES	3
4	APPLICATION EXAMPLES	4
5	BLOCK DIAGRAM	7
6	DESCRIPTION	9
7	PIN DIAGRAM	10
8	PIN DESCRIPTION	11
9	FUNCTIONAL DESCRIPTION	23
9.1	INPUT BUS FORMATTER	23
9.2	OUTPUT BUS FORMATTER	23
9.3	SWITCHING ELEMENT	24
9.3.1	DATA MEMORIES	25
9.3.2	CONNECTION MEMORY	25
9.3.3	TIMING GENERATOR	26
9.3.4	OUTPUT MULTIPLEXER	26
9.3.5	COMMON BUS INTERFACE	26
9.4	MICROPROCESSOR INTERFACE	27
10	NORMAL MODE REGISTER DESCRIPTION	28
11	TEST FEATURES DESCRIPTION	47
11.1	I/O TEST MODE	51
12	OPERATION	53

12.1	BASIC CONNECTION MEMORY ACCESS.....	53
12.1.1	CONNECTION MEMORY READ	53
12.1.2	CONNECTION MEMORY WRITE	53
12.2	CONNECTION SET UP	54
12.3	IDLE CODE INSERTION	56
13	FUNCTIONAL TIMING	58
14	ABSOLUTE MAXIMUM RATINGS.....	66
15	D.C. CHARACTERISTICS	67
16	MICROPROCESSOR INTERFACE TIMING CHARACTERISTICS.....	70
17	TUDX TIMING CHARACTERISTICS.....	77
18	ORDERING AND THERMAL INFORMATION	82
19	MECHANICAL INFORMATION.....	83

LIST OF REGISTERS

REGISTER 00H: MASTER CONFIGURATION29

REGISTER 01H: CONNECTION MEMORY CONTROL31

REGISTER 02H: CLOCK MONITOR.....32

REGISTER 03H: MASTER RESET/REVISION ID34

REGISTER 04H: PARITY CONFIGURATION.....35

REGISTER 05H: PARITY ERROR INTERRUPT ENABLE36

REGISTER 06H: PARITY ERROR INTERRUPT STATUS37

REGISTER 07H: SYSTOLIC DELAY CONTROL38

REGISTER 08H,0CH: CONNECTION ADDRESS HIGH40

REGISTER 09H,0DH: CONNECTION ADDRESS LOW42

REGISTER 0AH,0EH: CONNECTION DATA HIGH43

REGISTER 0BH,0FH: CONNECTION DATA LOW46

REGISTER 10H: MASTER TEST49

LIST OF FIGURES

FIGURE 1 - 2 X 2 TUDX SWITCH ARRAY USING SYSTOLIC INTERCONNECT4

FIGURE 2 - 2 X 2 TUDX SWITCH ARRAY USING BUSED INTERCONNECT5

FIGURE 3 - 2 X 2 TUDX SWITCH ARRAY USING HYBRID INTERCONNECT6

FIGURE 4 - OVERALL DEVICE.....7

FIGURE 5 - EACH SWITCHING ELEMENT8

FIGURE 6 - SONET STS-3 CARRYING VT1.5 WITHIN STS-155

FIGURE 7 - SDH STM-1 CARRYING TU12 WITHIN VC3/AU3.....56

FIGURE 8 - SDH STM-1 CARRYING TU12 WITHIN TUG356

FIGURE 9 - INPUT/OUTPUT BUS TIMING (SYSTOLIC DELAY DISABLED).....59

FIGURE 10- INPUT/OUTPUT BUS TIMING (SYSTOLIC DELAY APPLIED TO SINL/SINR)60

FIGURE 11- INPUT/OUTPUT BUS TIMING (SYSTOLIC DELAY APPLIED TO DINT/DINB).....61

FIGURE 12- INPUT/OUTPUT BUS TIMING (SYSTOLIC DELAY APPLIED TO DOUTL/DOU TR)62

FIGURE 13- INPUT/OUTPUT BUS TIMING (SYSTOLIC DELAY APPLIED TO SOUTT/SOUTB).....64

FIGURE 14- PAGE TIMING.....65

FIGURE 15- MICROPROCESSOR INTERFACE READ ACCESS TIMING FOR INTEL MODE71

FIGURE 16- MICROPROCESSOR INTERFACE READ ACCESS TIMING FOR MOTOROLA MODE72

FIGURE 17- MICROPROCESSOR INTERFACE WRITE ACCESS
TIMING FOR INTEL MODE74

FIGURE 18- MICROPROCESSOR INTERFACE WRITE ACCESS
TIMING FOR MOTOROLA MODE75

FIGURE 19- INPUT TIMING78

FIGURE 20- OUTPUT TIMING80

FIGURE 21- METRIC QUAD FLAT PACK – MQFP (BODY
28X28X3.49MM)83

LIST OF TABLES

TABLE 1 - REGISTER MEMORY MAP27

TABLE 2 - SYSTOLIC DELAY CONTROL38

TABLE 3 - SYSTOLIC ARRAY DELAY CONTROL39

TABLE 4 - TEST MODE REGISTER MEMORY MAP47

TABLE 5 - READING INPUT PIN VALUES51

TABLE 6 - FORCING OUPUT PIN VALUES51

TABLE 7 - CONNECTION SET UP55

TABLE 8 - IDLE CODE INSERTION57

TABLE 9 - TUDX MAXIMUM RATINGS66

TABLE 10 - TUDX D.C. CHARACTERISTICS67

TABLE 11 - MICROPROCESSOR INTERFACE READ ACCESS
(FIGURE 15, FIGURE 16)70

TABLE 12 - MICROPROCESSOR INTERFACE WRITE ACCESS
(FIGURE 17, FIGURE 18)73

TABLE 13 - TUDX INPUT (FIGURE 19)77

TABLE 14 - TUDX OUTPUT (FIGURE 20)79

TABLE 15 - SYSTOLIC OUTPUT CONFIGURATION79

TABLE 16 - BUSED OUTPUT CONFIGURATION79

TABLE 17 - PARALLEL BUSED OUTPUT CONFIGURATION79

TABLE 18 - ORDERING PM5372-RI82

1 FEATURES

- A single stage, non-blocking array of time switches for cross-connecting SONET virtual tributaries (VTs) or SDH tributary units (TUs).
- Provides non-blocking switching between two STS-3 (STM-1) byte serial input streams and two STS-3 (STM-1) byte serial output streams.
- Operates from a single 19.44 MHz clock.
- Provides parity checking on input data buses and parity generation on output data buses.
- Allows programmable idle code insertion on a per VT or per TU basis.
- Permits switching of any combination of SONET VT1.5, VT2, VT3, VT6, or STS-1 channels. Permits switching of any combination of SDH TU11, TU12, TU2, or TU3 channels.
- Operates in conjunction with the PM5361 TUDX SONET/SDH Tributary Unit Payload Processor which aligns SONET VTs or SDH TUs such that they can be switched by the TUDX.
- Cascadable in a systolic or bused manner to allow larger switching arrays to be implemented. Provides control outputs that are programmable on a per timeslot basis to facilitate construction of larger switching arrays.
- Provides programmable delay to match data skew in the systolic array application.
- Provides a generic 8-bit microprocessor bus interface for configuration, control, and status monitoring.
- Low power, +5 Volt, CMOS technology. Device has TTL compatible inputs and outputs.
- 160 pin metric quad flat pack (MQFP) package.

2 APPLICATIONS

- SONET and SDH Wideband Cross-Connects
- SONET and SDH Add-Drop and Terminal Multiplexers

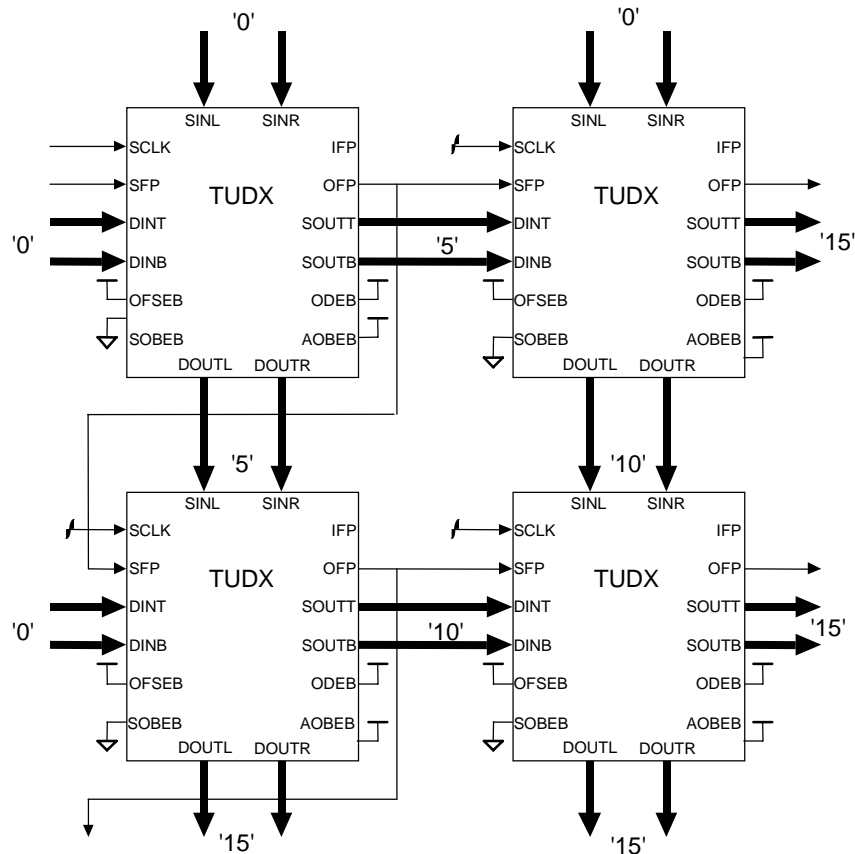
3 REFERENCES

1. American National Standard for Telecommunications - Digital Hierarchy - Optical Interface Rates and Formats Specification, ANSI T1.105-1988.
2. Bell Communications Research - SONET Transport Systems: Common Generic Criteria, TR-TSY-000253, Issue 1, September 1989.
3. CCITT Blue Book, Recommendation G.708 - "Network Node Interface For The Synchronous Digital Hierarchy", Volume III, Fascicle III.4, 1988.
4. CCITT Blue Book, Recommendation G.709 - "Synchronous Multiplexing Structure", Volume III, Fascicle III.4, 1988.
5. CCITT Study Group XVIII, Report R 33 - "Recommendations Drafted By Working Party XVIII/7" (Digital Hierarchies) To Be Approved In 1990 Including Revised Draft Recommendations G.708 and G.709", June 1990.
6. Bell Communications Research - SONET Transport Systems: Common Generic Criteria, TA-NWT-000253, Issue 6, September 1990.

4 APPLICATION EXAMPLES

Larger switching arrays can be constructed in a variety of manners using arrays of TUDX devices. Systolic or bused interconnect methods can be used, or a hybrid of the two approaches.

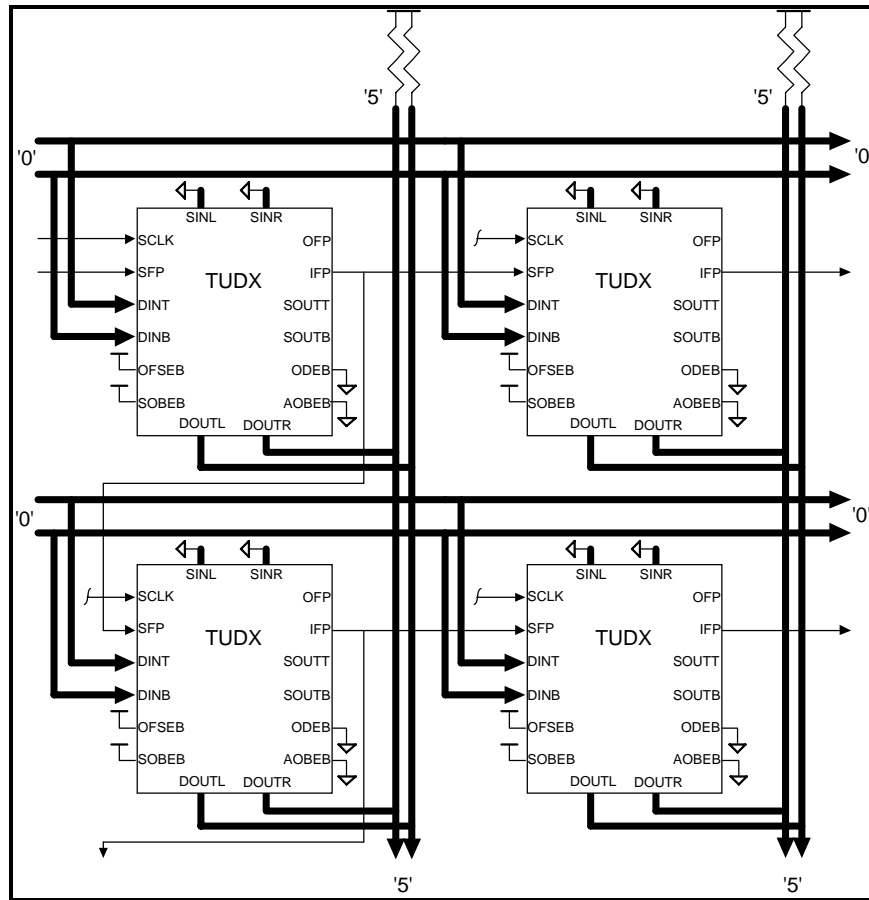
Figure 1 - 2 X 2 TUDX Switch Array Using Systolic Interconnect



Systolic interconnect of TUDX devices is illustrated above. In this 2 x 2 array of devices, PCM data is distributed left to right and gathered top to bottom with the PCM data being re-timed as it passes through each device. Each PCM data bus drives a single device, regardless of the size of the array and thus systolic interconnect allows large arrays to be implemented without the use of additional devices. In this example no systolic delay is required for the upper left hand and lower right hand TUDX in the array. The Systolic Delay Control Register of the lower left hand TUDX is programmed to insert a 5 clock period delay in the DINT/DINB buses, and a 5 clock period delay in the DOU TL/DOU TR buses. The

Systolic Delay Control Register of the upper right hand TUDX is programmed to insert a 5 clock period delay in the SINL/SINR buses, and the SOUTT/SOUTB buses.

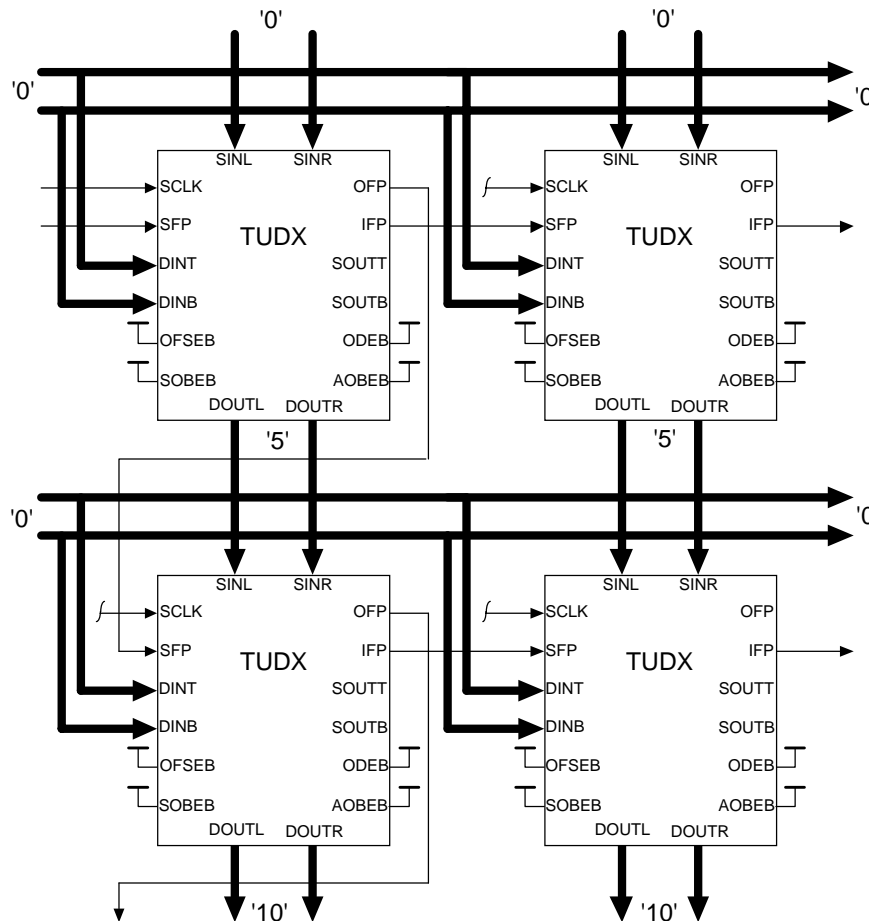
Figure 2 - 2 X 2 TUDX Switch Array Using Bused Interconnect



Bused interconnect of TUDX devices is illustrated above. In this 2 x 2 array of devices, PCM data is distributed left to right on a common bus and gathered top to bottom using a wired-OR type bus. Using this interconnect approach, additional devices must be used to drive the distribution bus and sample the wired-OR bus. To maximize the size of array that can be achieved using a wired-OR bus, the AOUTL and AOUTR buses may be parallel connected with the DOU TL and DOU TR buses on a bit by bit basis in order to provide higher drive levels. Due to the higher fan out of these buses, and the RC delay on the wired-OR bus, this approach cannot be extended to very large arrays without additional circuitry. This bused array approach provides the minimum data delay through the array (when a cross connection is made between the DINT/DINB buses and

the DOUTL/DOU TR buses) of nominally 275 clock periods versus 285 clock periods using the systolic array approach.

Figure 3 - 2 X 2 TUDX Switch Array Using Hybrid Interconnect



A hybrid approach using a mix of bused and systolic interconnect of TUDX devices is illustrated above. In this 2 x 2 array of devices, PCM data is distributed left to right on a common bus and gathered top to bottom with the PCM data being re-timed as it passes through each device. Using this interconnect approach, additional devices must be used to drive the distribution buses. This approach overcomes the RC delay of the wired-OR bus by using systolic interconnect from top to bottom. In this example the Systolic Delay Control registers in the two bottom TUDX devices are programmed to delay the DINT/DINB buses by five clock periods to match the delay seen at the SINL/SINR inputs to these devices.

5 BLOCK DIAGRAM

Figure 4 - Overall Device

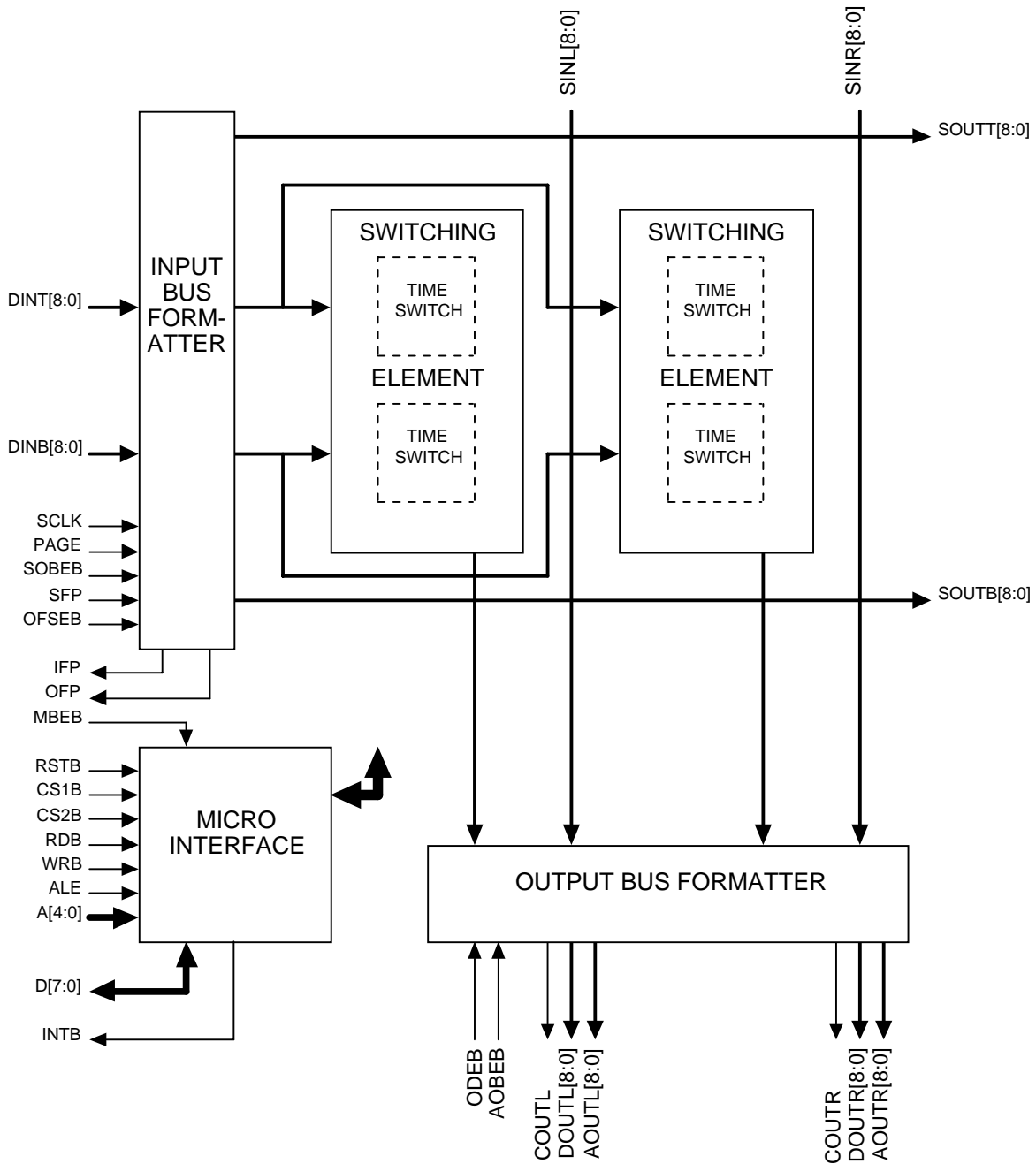
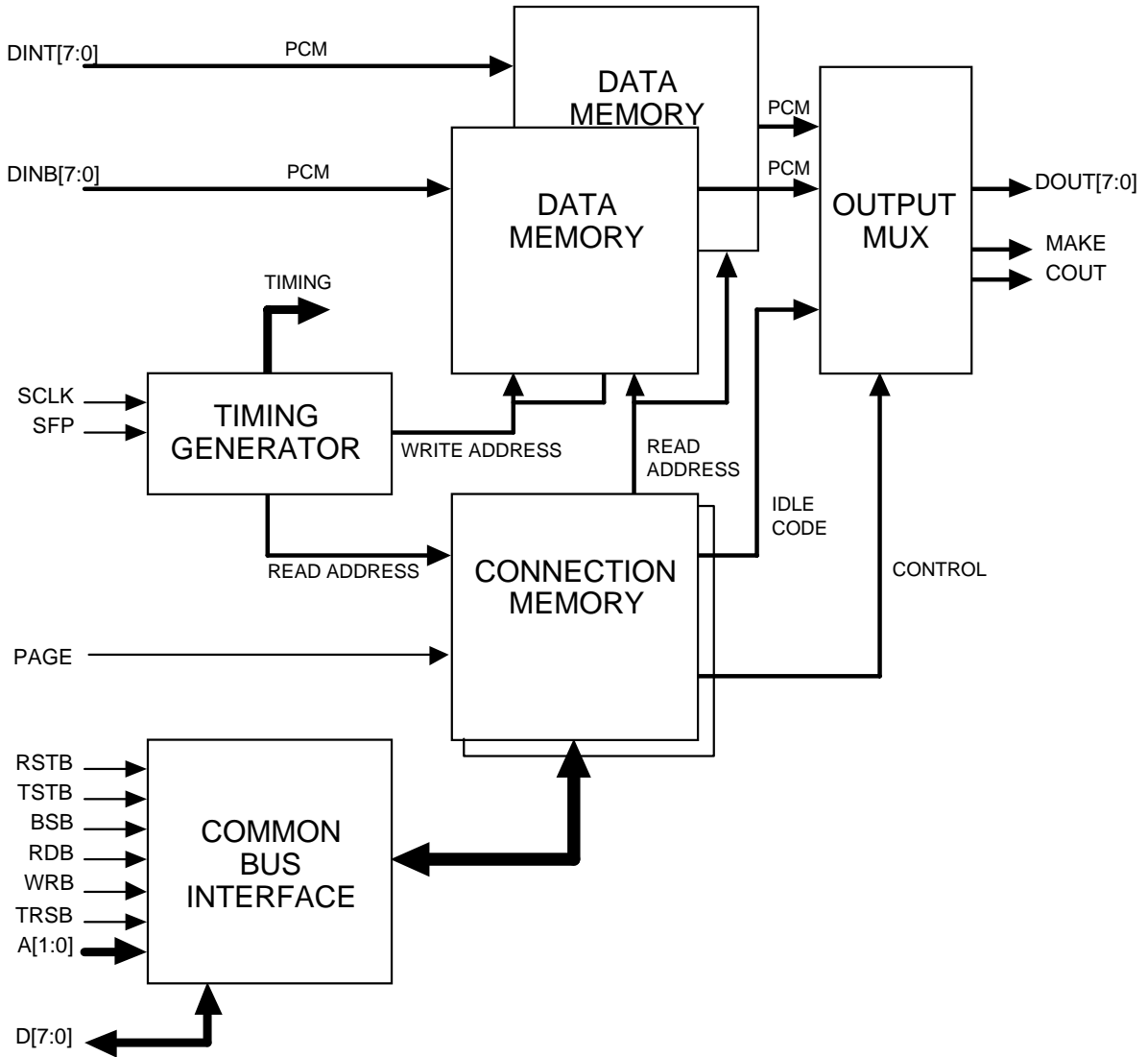


Figure 5 - Each Switching Element



6 DESCRIPTION

The PM5371 TUDX SONET/SDH Tributary Unit Cross-Connect is a monolithic integrated circuit that allows non-blocking switching of tributaries within two SONET STS-3 or SDH STM-1 streams. Any tributary entering on either stream can be connected to any same size tributary within either outgoing stream. The TUDX can be programmed to cross-connect a mix of SONET VT1.5, VT2, VT3, VT6, or STS-1 channels or SDH TU11, TU12, TU2, or TU3 channels. Programmable idle code can also be inserted into any of these channels. The TUDX allows cross-connection of up to 168 VT1.5 or TU11 streams, up to 126 VT2 or TU12 streams, or up to 42 VT6 or TU2 streams or any legal mix as permitted by the SONET or SDH mappings.

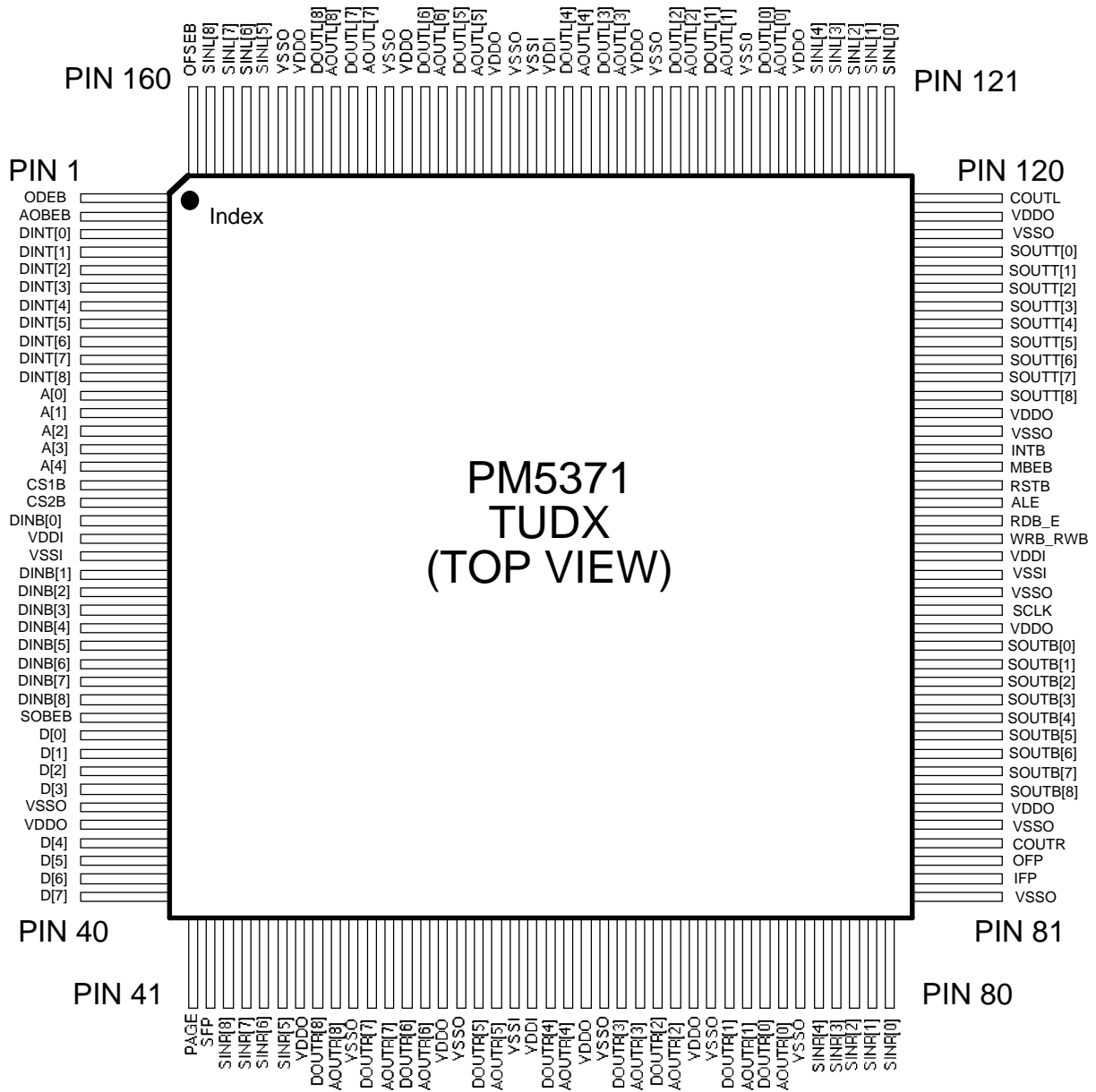
The TUDX operates in conjunction with the PM5361 TUPP SONET/SDH Tributary Unit Payload Processor which aligns SONET VTs or SDH TUs such that they can be switched by the TUDX. Larger switches can be constructed using arrays of TUDX devices. The TUDX is cascadable in a systolic or bused manner and provides programmable control outputs that are useful in constructing larger switching arrays.

No high speed clocks are required as the TUDX operates from a single 19.44 MHz clock. Parity checking is provided on input data buses and parity generation is provided on output data buses. The TUDX is configured, controlled and monitored via a generic 8-bit microprocessor bus interface.

The TUDX is implemented in low power, +5 Volt, CMOS technology. It has TTL compatible inputs and outputs and is packaged in a 160 pin metric quad flat pack (MQFP) package.

7 PIN DIAGRAM

The TUDX is packaged in an 160 pin MQFP package having a body size of 28 mm by 28 mm and a pin pitch of 0.65 mm.



8 PIN DESCRIPTION

Pin Name	Type	Pin No.	Function
SCLK VCLK	Input	97	The system clock (SCLK) provides timing for TUDX internal operation. SCLK is a 19.44 MHz, nominally 50% duty cycle clock. The test vector clock (VCLK) provides timing for TUDX production test.
SFP	Input	42	The system frame pulse (SFP) determines the frame boundaries on the DINT[8:0] and DINB[8:0] buses (and SINL[8:0] and SINR[8:0] buses) when OFSEB is high. SFP determines the frame boundaries on the SOUTT[8:0] and SOUTB[8:0] buses when OFSEB is low. SFP must be brought high once every frame (125 μ s) to mark the first C1 byte of the transport envelope frame of the buses in question. In systolic applications where OFSEB is high, SFP marks the C1 byte of the SINL[8:0] and SINR[8:0] buses (or the DINT[8:0] and DINB[8:0] buses) after the programmable systolic delay has been inserted. See the Application Examples and Functional Timing sections for more information. SFP is sampled on the rising edge of SCLK.
OFSEB	Input	160	The active low output frame synchronization enable (OFSEB) signal selects the system frame alignment marked by SFP. When OFSEB is high, SFP is coincident with the input frame pulse (IFP). When OFSEB is low, SFP is coincident with the output frame pulse (OFP). In most applications, OFSEB should be held high. The OFSEB input has an integral pull up resistor.

Pin Name	Type	Pin No.	Function
IFP	Output	82	The input frame pulse (IFP) marks the frame boundaries on the DINT[8:0] and DINB[8:0] buses (or SINL[8:0] and SINR[8:0] buses). IFP pulses high for a single SCLK period to mark the first C1 byte of the transport envelope frame of the buses in question. In systolic array applications, IFP marks the frame boundaries of the SINL[8:0] and SINR[8:0] buses (or the DINT[8:0] and DINB[8:0] buses) after the programmable systolic delay has been inserted. See the Application Examples and Functional Timing sections for more information. IFP is updated on the rising edge of SCLK.
OFFP	Output	83	The output frame pulse (OFFP) marks the frame boundaries on the SOUTT[8:0] and SOUTB[8:0] buses. OFFP pulses high for a single SCLK period to mark the first C1 byte of the transport envelope frame. OFFP is updated on the rising edge of SCLK.
DINT[0] DINT[1] DINT[2] DINT[3] DINT[4] DINT[5] DINT[6] DINT[7] DINT[8]	Input	3 4 5 6 7 8 9 10 11	The top data input bus (DINT[8:0]) carries SONET/SDH frame data in byte serial format. The DINT[8] bit is a parity bit which is not passed through the TUDX. The TUDX may be configured to check for even or odd input bus parity and generate interrupts when parity errors occur. The DINT[8:0] bus is sampled on the rising edge of SCLK.

Pin Name	Type	Pin No.	Function
DINB[0] DINB[1] DINB[2] DINB[3] DINB[4] DINB[5] DINB[6] DINB[7] DINB[8]	Input	19 22 23 24 25 26 27 28 29	The bottom data input bus (DINB[8:0]) carries SONET/SDH frame data in byte serial format. The DINT[8] bit is a parity bit which is not passed through the TUDX. The TUDX may be configured to check for even or odd input bus parity and generate interrupts when parity errors occur. The DINB[8:0] bus is sampled on the rising edge of SCLK.
DOU TL[0] DOU TL[1] DOU TL[2] DOU TL[3] DOU TL[4] DOU TL[5] DOU TL[6] DOU TL[7] DOU TL[8]	Output/ OD Output	128 131 133 137 139 145 147 151 153	The left data output bus (DOU TL[8:0]) carries SONET/SDH frame data in byte serial format. The DOU TL[8] bit is a parity bit which is generated by the TUDX. The TUDX may be configured to generate even or odd parity. The DOU TL[8:0] bus is updated on the rising edge of SCLK. DOU TL may be configured as a normal output or as an open drain output, the latter mode being useful for constructing larger switching arrays.
DOU TR[0] DOU TR[1] DOU TR[2] DOU TR[3] DOU TR[4] DOU TR[5] DOU TR[6] DOU TR[7] DOU TR[8]	Output/ OD Output	73 71 67 65 61 57 53 51 48	The right data output bus (DOU TR[8:0]) carries SONET/SDH frame data in byte serial format. The DOU TR[8] bit is a parity bit which is generated by the TUDX. The TUDX may be configured to generate even or odd parity. The DOU TR[8:0] bus is updated on the rising edge of SCLK. DOU TR may be configured as a normal output or as an open drain output, the latter mode being useful for constructing larger switching arrays.

Pin Name	Type	Pin No.	Function
AOUTL[0] AOUTL[1] AOUTL[2] AOUTL[3] AOUTL[4] AOUTL[5] AOUTL[6] AOUTL[7] AOUTL[8]	Output/ OD Output	127 130 132 136 138 144 146 150 152	The left auxiliary data output bus (AOUTL[8:0]) carries SONET/SDH frame data in byte serial format. The AOUTL[8] bit is a parity bit which is generated by the TUDX. The TUDX may be configured to generate even or odd parity. The AOUTL[8:0] bus is updated on the rising edge of SCLK. AOUTL may be configured as a normal output or as an open drain output, the latter mode being useful for constructing larger switching arrays. The AOUTL output bus carries the same information as the DOUTL bus and the two buses may be parallel connected on a bit by bit basis when additional output drive is required. The AOUTL bus is held in a high impedance mode to save power when not enabled.
AOUTR[0] AOUTR[1] AOUTR[2] AOUTR[3] AOUTR[4] AOUTR[5] AOUTR[6] AOUTR[7] AOUTR[8]	Output/ OD Output	74 72 68 66 62 58 54 52 49	The right auxiliary data output bus (AOUTR[8:0]) carries SONET/SDH frame data in byte serial format. The AOUTR[8] bit is a parity bit which is generated by the TUDX. The TUDX may be configured to generate even or odd parity. The AOUTR[8:0] bus is updated on the rising edge of SCLK. AOUTR may be configured as a normal output or as an open drain output, the latter mode being useful for constructing larger switching arrays. The AOUTR output bus carries the same information as the DOUTR bus and the two buses may be parallel connected on a bit by bit basis when additional output drive is required. The AOUTR bus is held in a high impedance mode to save power when not enabled.
AOBEB	Input	2	The active low auxiliary output bus enable (AOBEB) signal enables the AOUTL and AOUTR when low. When AOBEB is high, the AOUTL and AOUTR output buses are held in a high impedance mode to save power. The AOBEB input has an integral pull up resistor.

Pin Name	Type	Pin No.	Function
SINL[0] SINL[1] SINL[2] SINL[3] SINL[4] SINL[5] SINL[6] SINL[7] SINL[8]	Input	121 122 123 124 125 156 157 158 159	The left systolic input bus (SINL[8:0]) carries SONET/SDH frame data in byte serial format. The SINL[8] bit is a parity bit which is not passed through the TUDX. The TUDX may be configured to check for even or odd input bus parity and generate interrupts when parity errors occur. The SINL[8:0] bus is sampled on the rising edge of SCLK. Data on the SINL[8:0] bus is re-timed and may be routed to the DOUTL[8:0] in place of information switched from the DINT[8:0] bus, and is provided for constructing larger switching arrays using systolic data flow.
SINR[0] SINR[1] SINR[2] SINR[3] SINR[4] SINR[5] SINR[6] SINR[7] SINR[8]	Input	80 79 78 77 76 46 45 44 43	The right systolic input bus (SINR[8:0]) carries SONET/SDH frame data in byte serial format. The SINR[8] bit is a parity bit which is not passed through the TUDX. The TUDX may be configured to check for even or odd input bus parity and generate interrupts when parity errors occur. The SINR[8:0] bus is sampled on the rising edge of SCLK. Data on the SINR[8:0] bus is re-timed and may be routed to the DOUTR[8:0] in place of information switched from the DINB[8:0] bus, and is provided for constructing larger switching arrays using systolic data flow.
SOUTT[0] SOUTT[1] SOUTT[2] SOUTT[3] SOUTT[4] SOUTT[5] SOUTT[6] SOUTT[7] SOUTT[8]	Output	117 116 115 114 113 112 111 110 109	The left systolic output bus (SOUTT[8:0]) carries SONET/SDH frame data in byte serial format. The SOUTT[8] bit is a parity bit which is generated by the TUDX. The TUDX may be configured to generate even or odd parity. The SOUTT[8:0] bus is updated on the rising edge of SCLK. The SOUTT[8:0] bus carries a re-timed copy of the information sampled on the DINT[8:0] bus and is provided for constructing larger switching arrays using systolic data flow. The SOUTT bus can be disabled to save power when not used.

Pin Name	Type	Pin No.	Function
SOUTB[0] SOUTB[1] SOUTB[2] SOUTB[3] SOUTB[4] SOUTB[5] SOUTB[6] SOUTB[7] SOUTB[8]	Output	95 94 93 92 91 90 89 88 87	The right systolic output bus (SOUTB[8:0]) carries SONET/SDH frame data in byte serial format. The SOUTB[8] bit is a parity bit which is generated by the TUDX. The TUDX may be configured to generate even or odd parity. The SOUTB[8:0] bus is updated on the rising edge of SCLK. The SOUTB[8:0] bus carries a re-timed copy of the information sampled on the DINB[8:0] bus and is provided for constructing larger switching arrays using systolic data flow. The SOUTB bus can be disabled to save power when not used.
SOBEB	Input	30	The active low systolic output bus enable (SOBEB) signal enables the SOUTT and SOUTB output buses when low. When SOBEB is high, the SOUTT and SOUTB output buses are held in a high impedance mode to save power. The SOBEB input has an integral pull up resistor.
COU TL	Output	120	The left control output signal (COU TL) is a software programmable control stream (on a per timeslot basis) that can be used for controlling external hardware when constructing larger switching arrays. After reset, COU TL defaults to always high until otherwise programmed. COU TL is updated on the rising edge of SCLK.
COU TR	Output	84	The right control output bus (COU TR) is a software programmable control stream (on a per timeslot basis) that can be used for controlling external hardware when constructing larger switching arrays. After reset, COU TR defaults to always high until otherwise programmed. COU TR is updated on the rising edge of SCLK.

Pin Name	Type	Pin No.	Function
ODEB	Input	1	The active low open drain enable (ODEB) signal configures the DOUTL and DOUTR output buses as open drain outputs when low. When ODEB is high, the DOUTL and DOUTR output buses are configured as normal outputs. The ODEB input has an integral pull up resistor.
PAGE	Input	41	The page select (PAGE) signal selects the connection memory pages that are used to control connections within the TUDX. When PAGE is low, connection memory page 0 of each switching element is used. When PAGE is high, connection memory page 1 of each switching element is used. The PAGE input is sampled on the rising edge of SCLK. Internally, a change in the active connection memory page is held off until the next switching frame boundary (a delay of up to approximately 14 us). While such a page swap is pending, accesses to the connection memory by the microprocessor should be avoided. Such a pending page swap results in a connection memory busy indication which can be polled. The PAGE input has an integral pull down resistor.
MBEB	Input	105	The active low Motorola bus enable (MBEB) signal configures the TUDX for Motorola bus mode where the RDB/E signal functions as E, and the WRB/RWB signal functions as RWB. When MBEB is high, the TUDX is configured for Intel bus mode where the RDB/E signal functions as RDB. The MBEB input has an integral pull up resistor.
CS1B	Input	17	The active low chip select #1 (CS1B) signal is low during TUDX register accesses. If CS1B and CS2B are not required (i.e., registers accesses are controlled using the RDB and WRB signals only), CS1B and CS2B must be connected to an inverted version of the RSTB input.

Pin Name	Type	Pin No.	Function
CS2B	Input	18	<p>The active low chip select #2 (CS2B) signal is low during TUDX register accesses.</p> <p>If CS1B and CS2B are not required (i.e., registers accesses are controlled using the RDB and WRB signals only), CS1B and CS2B must be connected to an inverted version of the RSTB input.</p>
RDB	Input	102	<p>The active low read enable (RDB) signal is low during TUDX register read accesses while in Intel bus mode (MBEB = 1). The TUDX drives the D[7:0] bus with the contents of the addressed register while RDB, CS1B, and CS2B are low.</p>
E	Input	102	<p>The active high external access (E) signal is high during TUDX register access while in Motorola bus mode (MBEB = 0).</p>
WRB RWB	Input	101	<p>The active low write strobe (WRB) signal is low during a TUDX register write accesses while in Intel bus mode (MBEB = 1). The D[7:0] bus contents are clocked into the addressed register on the rising WRB edge while CS1B and CS2B are low.</p> <p>The read/write select (RWB) signal selects between TUDX register read and write accesses while in Motorola bus mode (MBEB = 0). The TUDX drives the D[7:0] bus with the contents of the addressed register while CS1B and CS2B are low and RWB and E are high. The D[7:0] bus contents are clocked into the addressed register on the falling E edge while CS1B and CS2B and RWB are low.</p>

Pin Name	Type	Pin No.	Function
D[0] D[1] D[2] D[3] D[4] D[5] D[6] D[7]	I/O	31 32 33 34 37 38 39 40	The bidirectional data bus (D[7:0]) is used during TUDX register read and write accesses.
A[0] A[1] A[2] A[3] A[4]/TRS	Input	12 13 14 15 16	The address bus (A[4:0]) selects specific registers during TUDX register accesses.
			The test register select (TRS) signal discriminates between normal and test mode register accesses. TRS is high during test mode register accesses, and is low during normal mode register accesses. The TRS input has an integral pull down resistor.
RSTB	Input	104	The active low reset (RSTB) signal provides an asynchronous TUDX reset. RSTB is a Schmitt triggered input with an integral pull up resistor.
ALE	Input	103	The address latch enable (ALE) is active high and latches the address bus (A[4:0]) and TRS when low. When ALE is high, the internal address latches are transparent. It allows the TUDX to interface to a multiplexed address/data bus. The ALE input has an integral pull up resistor.
INTB	OD Output	106	The active low interrupt (INTB) signal goes low when a TUDX interrupt source is active. INTB returns high when the interrupt is acknowledged via an appropriate register access. The INTB output is an open drain output.

Pin Name	Type	Pin No.	Function
VDDI1 VDDI2 VDDI3 VDDI4	Power	20 60 100 140	The core power (VDDI) pins should be connected to a well decoupled +5 V DC in common with VDDO.
VSSI1 VSSI2 VSSI3 VSSI4	Ground	21 59 99 141	The core ground (VSSI) pins should be connected to GND in common with VSSO.
VDDO1 VDDO2 VDDO3 VDDO4 VDDO5 VDDO6 VDDO7 VDDO8 VDDO9 VDDO10 VDDO11 VDDO12 VDDO13 VDDO14	Power	36 47 55 63 69 86 96 108 119 126 135 143 148 154	The pad ring power (VDDO) pins should be connected to a well decoupled +5 V DC in common with VDDI.

Pin Name	Type	Pin No.	Function
VSSO1	Ground	35	The pad ring ground (VSSO) pins should be connected to GND in common with VSSI.
VSSO2		50	
VSSO3		56	
VSSO4		64	
VSSO5		70	
VSSO6		75	
VSSO7		81	
VSSO8		85	
VSSO9		98	
VSSO10		107	
VSSO11		118	
VSSO12		129	
VSSO13		134	
VSSO14		142	
VSSO15		149	
VSSO16		155	

Notes on Pin Description:

1. All TUDX inputs and bidirectionals present minimum capacitive loading and operate at TTL logic levels.
2. All TUDX digital outputs and bidirectionals have 2 mA drive capability, except the INTB, SOUTT[8:0], SOUTB[8:0] outputs and D[7:0] bidirectionals, which have 4 mA drive capability, and the DOUTL[8:0], DOUTR[8:0], AOUTL[8:0] and AOUTR[8:0] outputs, which have 8 mA drive capability.
3. The VSSO and VSSI ground pins are not internally connected together. Failure to connect these pins externally may cause malfunction or damage the TUDX.

4. The VDDO and VDDI power pins are not internally connected together. Failure to connect these pins externally may cause malfunction or damage the TUDX.

9 FUNCTIONAL DESCRIPTION

9.1 Input Bus Formatter

The input bus formatter captures data sampled on the DINT and DINB buses and distributes this data to the two switching elements within the TUDX. The input bus formatter also re-times this captured data, delaying it 5 clock cycles and outputs copies of the information from the DINT and DINB buses on the SOUTT and SOUTB buses, respectively. When systolic interconnect is not used, the SOUTT and SOUTB buses can be held in a high impedance mode to save power by strapping the SOBEB input appropriately.

For systolic array applications, a programmable delay element provides additional delay of 5, 10, or 15 clock cycles in the DINT and DINB data paths or in the SOUTT and SOUTB data paths. For more information on the systolic array application, see the Application Examples section.

The input bus formatter also provides timing signals for the other blocks within the TUDX. The system clock, SCLK, is buffered and distributed to the switching elements and the output bus formatter. Frame pulses for the incoming and outgoing data streams, IFP and OFP, are generated with alignment dictated by the system frame pulse input, SFP. These frame pulses are buffered and distributed to the switching elements. One can select whether the SFP input will generate a coincident IFP or OFP pulse using the OFSEB configuration input. This option is useful when constructing larger switches using arrays of TUDX devices. The input bus formatter generates the IFP and OFP outputs. Proper generation of IFP and OFP requires that the input bus formatter be initialized once per SONET/SDH frame (125 μ s) by a pulse on the SFP input. In the absence of a periodic SFP input, outputs IFP and OFP are not generated correctly.

9.2 Output Bus Formatter

The output bus formatter selects the data to be output on the DOUTL and DOUTR buses. This data is gathered from the switching elements or the SINL and SINR buses, on a per timeslot basis, as programmed within the switching elements. The output bus formatter also drives the COUTL and COUTR outputs with control signals that are programmable, on a per timeslot basis, via the switching elements. The delay from the SINL or SINR buses to the DOUTL or DOUTR buses is 5 clock cycles. The delay from the DINT or DINB buses to the DOUTL or DOUTR buses for a straight through connection (from each input timeslot to its equivalent output timeslot) is 275 clock cycles (corresponding to

one SONET STS-3 or SDH STM-1 row of 270 bytes plus 5 clock cycles of re-timing delay).

For systolic array applications, a programmable delay element provides an additional delay of 5, 10 or 15 clock cycles in the SINL and SINR data paths or in the DOUTL and DOUTR data paths.

The output bus formatter can be configured to drive the DOUTL and DOUTR buses rail to rail or drive the DOUTL and DOUTR buses as open drain outputs. The open drain output option is selected by strapping the ODEB input appropriately. A second set of output buses, the AOUTL and AOUTR buses, carry the same data as the DOUTL and DOUTR buses, respectively. These pairs of buses can be strapped together on a bit by bit basis in order to provide higher drive capability. This is particularly useful in implementing wired-OR type output buses. When not required, the AOUTL and AOUTR buses can be held in a high impedance mode to save power by strapping the AOBEB input appropriately.

9.3 Switching Element

Each switching element implements two single stage, non-blocking time switches that each process an STS-3 or STM-1 rate stream. The channelization of each time switch corresponds to 9 byte columns within the SONET/SDH frame. Thus the basic switching granularity is 576 kbit/s (9 x 64 kbit/s). The frame rate of each time switch corresponds to 1/9th of the SONET/SDH frame rate. The frame rate is thus 13.89 us (125 us ÷ 9). The frame processed by each time switch corresponds to 270 byte rows within the SONET/SDH frame. Two time switches that connect to a common output bus are grouped within each switching element such that they can share a common connection memory.

Cross-connection of the various sizes of VTs (or TUs) is accomplished by setting up group connections. A VT1.5, for example, occupies three 9 byte columns within the SONET/SDH frame and thus a VT1.5 cross-connection can be set up by making three connections of 576 kbit/s each. A TU12, in contrast, occupies four 9 byte columns and thus a TU12 cross-connection can be set up by making four connections of 576 kbit/s each. The time switches are double buffered so as to exhibit constant frame delay which preserves byte sequence integrity during group connections, regardless of the size and routing of the group connection.

Note that the switching elements assume that the tributaries to be cross-connected occupy fixed 9 byte columns within the SONET STS-3 or SDH STM-1 frame. In order to cross-connect VT1.5, VT2, VT3, or VT6 tributaries within an STS-3 stream or TU11, TU12, TU2, or TU3 tributaries within an STM-1 stream, the STS-3 or STM-1 stream must be preprocessed with the PM5361 TUPP or an equivalent circuit. Such processing must ensure that all STS-1 or AU-3 or AU-4

pointer adjustments are absorbed into VT or TU pointer adjustments such that the resulting STS-3 or STM-1 frame has its VTs or TUs occupying fixed, appropriately phase aligned positions with respect to the overall transport envelope frame, ready for switching.

The TUDX consists of two switching elements, each containing two time switches, which results in a 2 by 2 array of time switches. Data from each of the DINT and DINB buses is distributed and written into the two time switches in the corresponding row. Data is collected for output on the DOUTL and DOUTR buses from each of the two time switches in the corresponding column or switching element, or from the associated SINL or SINR bus. The source of data is programmable on a per timeslot basis within the switching elements. As only one time switch in a column can source data during a given timeslot, time switch outputs are powered down, rather than outputting data, 50% of the time.

In addition to implementing cross-connections, the switching elements are also capable of inserting programmable idle code into outgoing timeslots. This idle code is arbitrarily programmable on a per timeslot basis and thus through proper programming, a fixed, arbitrary idle code can be inserted into any outgoing VT or TU. This capability can be used to insert tributary path AIS or to insert fixed codes used for system diagnostic purposes.

The switching elements are implemented in a classical manner with each having a pair of data memories, a common connection memory, timing generator, output multiplexer, and common bus interface.

9.3.1 Data Memories

The data memories each consist of two 270 x 8 RAMs implementing a double buffered switch core. During each switching frame, data is written into sequential locations in one page of memory, and read from the other page of memory based on a list of addresses provided by the connection memory. At each switching frame boundary (every 270 bytes) the function of the two memory pages is reversed. The data memory is 8 bits wide to allow byte wide data to be routed through the switching element. Two data memories are required, one for each of the input buses connected to the switching element.

9.3.2 Connection Memory

The connection memory consists of a double buffered 270 x 13 RAM. During each switching frame, information is sequentially read from the active memory page and used to generate the read addresses for the data memory and control the output multiplexer. Either connection memory can be written to or read from

via the common bus interface and thus its contents are programmable. In this manner, the switching action of the data memory and output multiplexer are programmable on a per timeslot basis. Normally one would only write to the inactive page, performing all the programming required to implement ones desired connections, and then trigger a page swap at a frame boundary. Use of a double buffered connection memory and active page swapping allows tributary connections (which are implemented as group connections of 576 kbit/s timeslots) to be coherently made or broken.

9.3.3 Timing Generator

The timing generator consists of a frame counter and clock dividers. Buffered versions of the various derived clocks are distributed to other blocks within the switching element as are several phase delayed versions of the frame count, as required in such a pipelined processing structure.

9.3.4 Output Multiplexer

The output multiplexer consists of logic that selects the source of information to be output from the switching element. Such selection is controlled on a per timeslot basis by the connection memory and is thus programmable. Output data can be routed from the data memory, from the lower order bits of the connection memory, or a null value can be inserted when no connection is being made. The null value is chosen on the fly to minimize power dissipation. The ability to source data from the connection memory itself is how programmable idle code insertion is provided. During those timeslots when programmable idle code is being inserted or no connection is being made through the switching element, the reading of data from the data memory is suppressed in order to save power. In addition to its selection function, the output multiplexer also re-times control signals sourced by the connection memory that are used to control the output bus formatter of the complete device.

9.3.5 Common Bus Interface

The common bus interface allows microprocessor access to the switching element connection memory. Access is indirect, via registers located in the common bus interface. Each connection memory access takes up to eight SCLK cycles to complete as circuitry waits for opportunities when the connection memory locations in question are not being accessed during the normal course of switching element operation.

9.4 Microprocessor Interface

The microprocessor interface block provides normal and test mode registers, and the logic required to connect to the microprocessor interface. The normal mode registers are required for normal operation, and test mode registers are used to enhance the testability of the TUDX. The register set is accessed as follows:

Table 1 - Register Memory Map

Address	Register
00H	TUDX Master Configuration
01H	TUDX Connection Memory Control
02H	TUDX Clock Monitor
03H	TUDX Master Reset/Revision ID
04H	TUDX Parity Configuration
05H	TUDX Parity Error Interrupt Enable
06H	TUDX Parity Error Interrupt Status
07H	TUDX Systolic Delay Control
08H	Left Switch Element Connection Address High
09H	Left Switch Element Connection Address Low
0AH	Left Switch Element Connection Data High
0BH	Left Switch Element Connection Data Low
0CH	Right Switch Element Connection Address High
0DH	Right Switch Element Connection Address Low
0EH	Right Switch Element Connection Data High
0FH	Right Switch Element Connection Data Low
10H	TUDX Master Test
11H-1FH	Reserved for Test

For all register accesses, CS1B and CS2B must be low.

10 NORMAL MODE REGISTER DESCRIPTION

Normal mode registers are used to configure and monitor the operation of the TUDX. Normal mode registers (as opposed to test mode registers) are selected when TRS (A[4]) is low.

Notes on Normal Mode Register Bits:

1. Writing values into unused register bits has no effect. However, to ensure software compatibility with future, feature-enhanced versions of the product, unused register bits must be written with logic 0. Reading back unused bits can produce either a logic 1 or a logic 0; hence unused register bits should be masked off by software when read.
2. All configuration bits that can be written into can also be read back. This allows the processor controlling the TUDX to determine the programming state of the block.
3. Writeable normal mode register bits are cleared to logic 0 upon reset unless otherwise noted.
4. Writing into read-only normal mode register bit locations does not affect TUDX operation unless otherwise noted.

Register 00H: Master Configuration

Bit	Type	Function	Default
Bit 7		Unused	X
Bit 6		Unused	X
Bit 5		Unused	X
Bit 4		Unused	X
Bit 3	R/W	SELEN	0
Bit 2	R/W	SEREN	0
Bit 1	R/W	COUTLEN	0
Bit 0	R/W	COUTREN	0

This register is used to enable the switching elements and the generation of the programmable control output signals.

COUTLEN:

The COUTLEN bit enables the generation of the COUTL signal under control of the left switching element; the switching element that routes between the DINT and DOUTL buses, or DINB and DOUTL buses, respectively. After reset, the COUTL signal is forced high, until the COUTLEN bit is set high.

COUTREN:

The COUTREN bit enables the generation of the COUTR signal under control of the right switching element; the switching element that routes between the DINT and DOUTR buses, or DINB and DOUTR buses, respectively. After reset, the COUTR signal is forced high, until the COUTREN bit is set high.

SELEN:

The SELEN bit enables operation of the left switching element (the switching element that routes between the DINT and DOUTL buses, or DINB and DOUTL buses, respectively). After reset, the left switching element is held reset to save power, until the SELEN bit is set high.

SEREN:

The SEREN bit enables operation of the right switching element (the switching element that routes between the DINT and DOUTR buses, or DINB

and DOUTR buses, respectively). After reset, the right switching element is held reset to save power, until the SEREN bit is set high.

Note that a switching element cannot be programmed until it is enabled. While a switching element is disabled, the output bus formatter will not select it as a source of data, thus passing through data from the SINL or SINR bus, as appropriate.

Register 01H: Connection Memory Control

Bit	Type	Function	Default
Bit 7		Unused	X
Bit 6		Unused	X
Bit 5		Unused	X
Bit 4		Unused	X
Bit 3		Unused	X
Bit 2	R	APAGE	X
Bit 1	R	EPAGE	X
Bit 0	R/W	IPAGE	0

This register is used to control and monitor the selection of the active connection memory page.

IPAGE:

The IPAGE bit is used to internally select the active connection memory page. When IPAGE is set high, page 1 is selected. When IPAGE is cleared low, page 0 is selected, provided that the external PAGE input is also low.

EPAGE:

The EPAGE bit can be read to determine the state of the external PAGE input.

APAGE:

The APAGE bit can be read to determine the active connection memory page. APAGE is the logical OR of the IPAGE bit and the PAGE input (which can be read via the EPAGE bit).

Register 02H: Clock Monitor

Bit	Type	Function	Default
Bit 7		Unused	X
Bit 6		Unused	X
Bit 5		Unused	X
Bit 4		Unused	X
Bit 3	R	DINBA	X
Bit 2	R	DINTA	X
Bit 1	R	SFPA	X
Bit 0	R	SCLKA	X

This register is used to monitor the integrity of TUDX timing input signals.

SCLKA:

The SCLKA bit indicates that SCLK is active when high. SCLKA is set high by a low to high transition on SCLK and is set low immediately following a read of this register. This bit is intended to be polled to detect a system failure that freezes the SCLK signal.

SFPA:

The SFPA bit indicates that SFP is active when high. SFPA is set high by a SCLK sampled low to high transition on SFP and is set low immediately following a read of this register. This bit is intended to be polled to detect a system failure that freezes the SFP signal.

DINTA:

The DINTA bit indicates that DINT bus is active when high. DINTA is set high when all bits of the DINT[8:0] bus have changed low to high after sampled by SCLK and is set low immediately following a read of this register. This bit is intended to be polled to detect a system failure that freezes any of the DINT[8:0] bits.

DINBA:

The DINBA bit indicates that DINB bus is active when high. DINBA is set high when all bits of the DINB[8:0] bus have changed low to high after sampled by SCLK and is set low immediately following a read of this register.

This bit is intended to be polled to detect a system failure that freezes any of the DINB[8:0] bits.

Register 03H: Master Reset/Revision ID

Bit	Type	Function	Default
Bit 7	R/W	RESET	0
Bit 6	R	ID[6]	0
Bit 5	R	ID[5]	0
Bit 4	R	ID[4]	0
Bit 3	R	ID[3]	0
Bit 2	R	ID[2]	0
Bit 1	R	ID[1]	0
Bit 0	R	ID[0]	0

This register allows the revision of the TUDX to be read by software permitting graceful migration to support for newer, feature enhanced versions of the TUDX, should revision of the TUDX occur. This register also allows the TUDX to be reset.

ID[6:0]:

The ID bits can be read to provide a binary TUDX revision number.

RESET:

The RESET bit allows the TUDX to be reset under software control. If the RESET bit is a logic 1, the entire TUDX is held in reset. This bit is not self-clearing; therefore, a logic 0 must be written to bring the TUDX out of reset. Holding the TUDX in a reset state effectively puts it into a low power, stand-by mode. A hardware reset clears the RESET bit, thus de-asserting the software reset.

Register 04H: Parity Configuration

Bit	Type	Function	Default
Bit 7	R/W	TODDO	0
Bit 6	R/W	BODDO	0
Bit 5	R/W	LODDO	0
Bit 4	R/W	RODDO	0
Bit 3	R/W	TODDI	0
Bit 2	R/W	BODDI	0
Bit 1	R/W	LODDI	0
Bit 0	R/W	RODDI	0

This register is used to configure the parity polarity expected on input buses and generated on output buses.

RODDI, LODDI, BODDI, TODDI:

These bits configure the parity expected on input buses. When high, odd parity is expected. When low, even parity is expected. The RODDI bit configures the SINR bus, the LODDI bit configures the SINL bus, the BODDI bit configures the DINB bus, and the TODDI bit configures the DINT bus.

RODDO, LODDO, BODDO, TODDO:

These bits configure the parity generated on output buses. When high, odd parity is generated. When low, even parity is generated. The RODDO bit configures the DOUTR bus, the LODDO bit configures the DOUTL bus, the BODDO bit configures the SOUTB bus, and the TODDO bit configures the SOUTT bus. Note that bad parity can be introduced for diagnostic purposes by manipulating these bits.

Register 05H: Parity Error Interrupt Enable

Bit	Type	Function	Default
Bit 7		Unused	X
Bit 6		Unused	X
Bit 5		Unused	X
Bit 4		Unused	X
Bit 3	R/W	TPERE	0
Bit 2	R/W	BPERE	0
Bit 1	R/W	LPERE	0
Bit 0	R/W	RPERE	0

This register is used to enable parity errors to generate interrupts.

RPERE, LPERE, BPERE, TPERE:

These bits enable parity errors on their respective input buses to generate interrupts. When high, parity error interrupt generation is enabled. When low, parity error interrupt generation is disabled, however, the parity error indications may still be polled. The RPERE bit configures the SINR bus, the LPERE bit configures the SINL bus, the BPERE bit configures the DINB bus, and the TPERE bit configures the DINT bus.

Register 06H: Parity Error Interrupt Status

Bit	Type	Function	Default
Bit 7		Unused	X
Bit 6		Unused	X
Bit 5		Unused	X
Bit 4		Unused	X
Bit 3	R	TPERI	X
Bit 2	R	BPERI	X
Bit 1	R	LPERI	X
Bit 0	R	RPERI	X

This register is used to identify the source of a parity error interrupt and acknowledge such an interrupt.

RPERI, LPERI, BPERI, TPERI:

These bits are set high when a parity error on their respective input buses is detected. If enabled, an interrupt will also occur. These bits are cleared low immediately following a read of this register causing any active interrupt to be de-asserted. These bits are latching and will remain high following the detection of a single parity error until this register is read. These bits retain their event capture functionality when interrupt generation is disabled and may be polled to detect parity errors. The RPERI bit monitors the SINR bus, the LPERI bit monitors the SINL bus, the BPERI bit monitors the DINB bus, and the TPERI bit monitors the DINT bus.

Register 07H: Systolic Delay Control

Bit	Type	Function	Default
Bit 7		Unused	X
Bit 6		Unused	X
Bit 5	R/W	SOUTEN	0
Bit 4	R/W	SINEN	0
Bit 3	R/W	DOUTEN	0
Bit 2	R/W	DINEN	0
Bit 1	R/W	DS1	0
Bit 0	R/W	DS0	0

This register is used to control the delay inserted into the SOUT, SIN, DOUT, and DIN data paths. This feature is used in systolic array applications to match data skew at the array boundaries for up to a 4 X 4 array without using external components.

SOUTEN, SINEN, DOUTEN, DINEN:

These bits control the programmable delay elements, one of which is shared between DIN and SOUT, the other between SIN and DOUT. The delay is inserted when these bits are set high. It is not appropriate to set both DINEN and SOUTEN high simultaneously, nor SINEN and DOUTEN. The delay value for both delay elements is controlled by the DS1 and DS0 bits.

DS1, DS0:

The DS1 and DS0 bits select the delay value for both delay elements as described in the following table:

Table 2 - Systolic Delay Control

DS1	DS0	Delay Value
0	0	0 Not appropriate if any enable bits are logic 1.
0	1	5
1	0	10
1	1	15

When constructing a 4 X 4 systolic array, program the individual TUDX devices with the following binary codes:

Table 3 - Systolic Array Delay Control

	1	2	3	4
1	000000	010001	010010	110011
2	000101	000000	000000	100010
3	000110	000000	000000	100001
4	001111	001010	001001	000000

The systolic delays are applied to the TUDXs at the array periphery. In the first (or top) row, the SINL[8:0] and SINR[8:0] buses are delayed by 0, 5, 10, and 15 additional clock periods (moving from left to right across the first row). In the fourth (or bottom row, the DOUTL[8:0] and DOUTR[8:0] buses are delayed by 15, 10, 5, and 0 clock periods (again moving from left to right). In the first (or leftmost) column, the DINT[8:0] and DINB[8:0] buses are delayed by 0, 5, 10, and 15 clock periods (moving from the top to the bottom of the first column). In the fourth (or rightmost) column, the SOUTT[8:0] and SOUTB[8:0] buses are delayed by 15, 10, 5, and 0 clock periods (again moving from top to bottom). The above array produces a 35 SCLK cycle delay between the input and output busses.

Register 08H,0CH: Connection Address High

Bit	Type	Function	Default
Bit 7	R/W	RWB	X
Bit 6		Unused	X
Bit 5		Unused	X
Bit 4		Unused	X
Bit 3		Unused	X
Bit 2		Unused	X
Bit 1	R/W	CMP	X
Bit 0	R/W	CA8	X

This register is used to trigger accesses to switching element connection memory and specify the memory location to be accessed.

RWB:

The RWB bit selects the type of connection memory access. The completion of a write access to this register will trigger a read of a switching element connection memory if RWB is high. If RWB is low, the completion of a write access to this register will trigger a write to a switching element connection memory. The data to be written or data read is passed through the Connection Data Low and Connection Data High registers. The connection memory address and page to be accessed is determined by the Connection Address Low and Connection Address High registers. A connection memory access requires several SCLK cycles; completion of an access is indicated by the BUSY bit in the Connection Data High register. The instantiation of the Connection Address and Data registers utilized selects the switching element to be programmed. Registers 08H-0BH control the left switching element, and registers 0CH-0FH control the right switching element.

CMP:

The CMP bit, selects the connection memory page to be accessed. Selection of which connection memory page is active is done using the PAGE input or the Connection Memory Control register. A logic 1 on this bit directs the read or write operation to the active page memory page. A logic 0 on this bit directs the read or write operation to the inactive memory page. Accesses to the active CM memory page are likely to be much longer than accesses to the inactive memory page. This is because of the continual read accesses by

the internal timeslot counter to the active memory page. Each CM page is broken into two independent banks of 135 X13. This increases the micro's access rate to active memory pages.

CA8:

The CA8 bit , together with the CA7-CA0 bits of the Connection Address Low register selects the connection memory location to be accessed.

Register 09H,0DH: Connection Address Low

Bit	Type	Function	Default
Bit 7	R/W	CA7	X
Bit 6	R/W	CA6	X
Bit 5	R/W	CA5	X
Bit 4	R/W	CA4	X
Bit 3	R/W	CA3	X
Bit 2	R/W	CA2	X
Bit 1	R/W	CA1	X
Bit 0	R/W	CA0	X

This register is used to specify the memory location in switching element connection memory to be accessed.

CA7-CA0:

The CA7-CA0 bits , together with the CA8 bit of the Connection Address High register select the connection memory location to be accessed. Connection memory locations correspond to outgoing timeslots on the DOUTL or DOUTR buses. Each timeslot carries a 9 x 64 kbit/s channel corresponding to one column in a 270 x 9 byte STS-3 (or STM-1) frame. Connection memory address 0 corresponds to the first column (the column that starts with the A1 byte of STS-1 #1 in an STS-3 stream) and address 269 corresponds to the last column (the column that ends with the last SPE byte of STS-1 #3 in an STS-3 stream). See the sections on Operation, Functional Timing, and Application Examples.

Register 0AH,0EH: Connection Data High

Bit	Type	Function	Default
Bit 7	R	BUSY	0
Bit 6		Unused	X
Bit 5		Unused	X
Bit 4	R/W	COU	X
Bit 3	R/W	MAK	X
Bit 2	R/W	IDLE	X
Bit 1	R/W	TOP	X
Bit 0	R/W	CD8	X

This register is used to detect when accesses to switching element connection memory are permitted and to pass data to connection memory during such accesses.

BUSY:

The BUSY bit allows one to detect when a connection memory access is permitted.

When a switching element connection memory access is triggered by writing to the Connection Address High register, the BUSY bit is set high. The BUSY bit returns low when the access is complete. In the case of a write access, this means that one may begin manipulation of the various registers in preparation for a subsequent access. In the case of a read, this means that one may read valid data from the Connection Data High and Low registers and then prepare for a subsequent access. While an access is in progress, i.e. when the BUSY bit is high, no new data should be written to any of the Connection Address or Connection Data registers. A connection memory access requires a maximum of ~400 ns (i.e. eight 19.44 MHz clock cycles).

When a page swap is triggered via the Connection Memory Control register or via the PAGE input, the BUSY bit is also set high. At the next switch frame boundary (which can be up to ~ 14 us later) the page swap is implemented and the BUSY bit returns low. During this intervening time, while a page swap is pending, no new data should be written to any of the Connection Address or Connection Data registers. Similarly, one should not trigger a

page swap until any previously initiated connection memory access is complete.

COUT:

The COUT bit controls one of the COUTL or COUTR signals during the corresponding outgoing timeslot on the DOUTL or DOUTR buses. By programming the COUT bit, one can control the COUTL or COUTR signals on a per timeslot basis. The COUT bit of the left switching element controls the COUTL signal, the COUT bit of the right switching element controls the COUTR signal.

MAKE:

The MAKE bit enables a connection to be established through the switching element in question for the corresponding outgoing timeslot. When the MAKE bit is set high, the switching element in question routes the corresponding timeslot onto the data path leading to the DOUTL or DOUTR buses, as appropriate. The source bus and timeslot to be connected are selected by the TOP bit and CD8-CD0 bits. When the MAKE bit is set low, the switching element in question is held inactive to save power during the processing interval for the corresponding timeslot. When the MAKE bit is set low, data entering on the SINL or SINR bus is routed to the DOUTL or DOUTR bus, as appropriate for the switching element in question.

IDLE:

The IDLE bit enables the insertion of programmable idle code into the corresponding outgoing timeslot. When the IDLE bit is set high, the switching element in question routes the connection data programmed through the CD8-CD0 bits onto the data path leading to the DOUTL or DOUTR buses, as appropriate. The mapping is CD7 to DOUTL[7] or DOUTR[7], CD6 to DOUTL[6] or DOUTR[6], and so on. CD8 is not mapped to DOUTL[8] or DOUTR[8]; DOUTL[8] and DOUTR[8] are parity bits generated by the TUDX. In this case the connection data is not used to specify an incoming timeslot to be connected to an outgoing timeslot, but is used directly to form a programmable idle code. When the IDLE bit is set low, the switching element in question implements a normal time switching function. Note that the IDLE bit has no effect unless the MAKE bit is set high.

TOP

The TOP bit , selects the source of the connection to be established through the switching element in question for the corresponding outgoing timeslot. When TOP is high, the DINT bus is selected. When TOP is low, the DINB bus

is selected. Note that the TOP bit has no effect unless the MAKE bit is set high.

CD8

The CD8 bit , together with the CD7-CD0 bits of the Connection Data Low register hold the connection memory data transferred during connection memory accesses.

Note that data read from the Connection Data High and Low registers reflects the data read from the connection memories during the most recently triggered read operation. It typically does not reflect the last data written to these registers.

Register 0BH,0FH: Connection Data Low

Bit	Type	Function	Default
Bit 7	R/W	CD7	X
Bit 6	R/W	CD6	X
Bit 5	R/W	CD5	X
Bit 4	R/W	CD4	X
Bit 3	R/W	CD3	X
Bit 2	R/W	CD2	X
Bit 1	R/W	CD1	X
Bit 0	R/W	CD0	X

This register is used to pass data to connection memory during switching element connection memory accesses.

CD7-CD0:

The CD7-CD0 bits, together with the CD8 bit of the Connection Data High register hold the connection memory data transferred during connection memory accesses. Connection memory data corresponds to incoming timeslots on the DINT or DINB buses. Each timeslot carries a 9 x 64 kbit/s channel corresponding to one column in a 270 x 9 byte STS-3 (or STM-1) frame. Connection memory data of 0 corresponds to the first column (the column that starts with the A1 byte of STS-1 #1 in an STS-3 stream) and data of 269 corresponds to the last column (the column that ends with the last SPE byte of STS-1 #3 in an STS-3 stream). Connection memory data may also correspond to a programmable idle code. See the sections on Operation, Functional Timing, and Application Examples.

Note that data read from the Connection Data High and Low registers reflects the data read from the connection memories during the most recently triggered read operation. It typically does not reflect the last data written to these registers.

11 TEST FEATURES DESCRIPTION

Simultaneously asserting the CS1B, CS2B, RDB and WRB inputs low causes all output pins and the data bus to be held in a high-impedance state, provided that the MBEB input is held high. This test feature may be used for board testing.

Test mode registers are used to apply test vectors during production testing of the TUDX. Test mode registers (as opposed to normal mode registers) are selected when TRS (A[4]) is high.

Test mode registers may also be used for board testing. When all of the constituent Telecom System Blocks within the TUDX are placed in test mode 0, device inputs may be read and device outputs may be forced via the microprocessor interface (refer to the section "Test Mode 0" for details).

Table 4 - Test Mode Register Memory Map

Address	Register
00H-0FH	Normal Mode Registers
10H	TUDX Master Test
11H-13H	Input Formatter Test Registers
14H-17H	Output Formatter Test Registers
18H	Left Switch Element Test Register 0
19H	Left Switch Element Test Register 1
1AH	Left Switch Element Test Register 2
1BH	Left Switch Element Test Register 3
1CH	Right Switch Element Test Register 0
1DH	Right Switch Element Test Register 1
1EH	Right Switch Element Test Register 2
1FH	Right Switch Element Test Register 3

Notes on Test Mode Register Bits:

1. Writing values into unused register bits has no effect. However, to ensure software compatibility with future, feature-enhanced versions of the product, unused register bits must be written with logic 0. Reading back unused bits

can produce either a logic 1 or a logic 0; hence unused register bits should be masked off by software when read.

2. Writable test mode register bits are not initialized upon reset unless otherwise noted.

Register 10H: Master Test

Bit	Type	Function	Default
Bit 7		Unused	X
Bit 6		Unused	X
Bit 5		Unused	X
Bit 4	W	PMCTST	X
Bit 3	W	MOTOTST	0
Bit 2	R/W	IOTST	0
Bit 1	W	HIZDATA	0
Bit 0	R/W	HIZIO	0

This register is used to enable TUDX test features. All bits, except PMCTST, are reset to zero by a reset of the TUDX.

HIZIO,HIZDATA:

The HIZIO and HIZDATA bits control the three state modes of the TUDX . While the HIZIO bit is a logic 1, all output pins of the TUDX except the data bus are held in a high-impedance state. The microprocessor interface is still active. While the HIZDATA bit is a logic 1, the data bus is also held in a high-impedance state which inhibits microprocessor read cycles.

IOTST:

The IOTST bit is used to allow normal microprocessor access to the test registers and control the test mode in each TSB block in the TUDX for board level testing. When IOTST is a logic 1, all blocks are held in test mode and the microprocessor may write to a block's test mode 0 registers to manipulate the outputs of the block and consequently the device outputs (refer to the "I/O Test Mode Details" in the "Test Features" section).

MOTOTST:

The MOTOTST bit is used to test the MOTOROLA interface. When MOTOTST is logic 1 and the MBEB input is logic 0 the OFSEB and SOBEB inputs are used to replace the function of E and RWB, respectively. This is done because the fixed waveform shapes assigned to the RDB_E and WRB_RWB inputs can not be used to test MOTOROLA type microprocessor

interface logic. This mode is also used to test the D.C. drive capability of the D[7:0] device pins.

PMCTST:

The PMCTST bit is used to configure the TUDX for PMC's manufacturing tests. When PMCTST is set to logic 1, the TUDX microprocessor port becomes the test access port used to run the PMC "canned" manufacturing test vectors. The PMCTST bit is logically "ORed" with the IOTST bit, and can only be cleared by setting CSB to logic 1.

11.1 I/O Test Mode

In the I/O test mode, the TUDX allows the logic levels on the device inputs to be read through the microprocessor interface, and allows the device outputs to be forced to either logic level through the microprocessor interface.

To enable the I/O test mode, the IOTST bit in the Master Test register is set to logic 1.

Reading the following address locations returns the values for the indicated inputs.

Table 5 - Reading Input Pin Values

Addr	Bit 7	Bit 6	Bit 5	Bit 4	Bit 3	Bit 2	Bit 1	Bit 0
11H	DINT[7]	DINT[6]	DINT[5]	DINT[4]	DINT[3]	DINT[2]	DINT[1]	DINT[0]
12H	DINB[7]	DINB[6]	DINB[5]	DINB[4]	DINB[3]	DINB[2]	DINB[1]	DINB[0]
13H		SCLK	OFSEB	SFP	PAGE	SOBEB	DINB[8]	DINT[8]
14H	SINR[7]	SINR[6]	SINR[5]	SINR[4]	SINR[3]	SINR[2]	SINR[1]	SINR[0]
15H						AOBEB	ODEB	SINL[8]
16H	SINL[7]	SINL[6]	SINL[5]	SINL[4]	SINL[3]	SINL[2]	SINL[1]	SINL[0]
17H						AOBEB	ODEB	SINR[8]

Writing the following address locations forces the outputs to the value in the corresponding bit position:

Table 6 - Forcing Output Pin Values

Addr	Bit 7	Bit 6	Bit 5	Bit 4	Bit 3	Bit 2	Bit 1	Bit 0
11H	SOT[7]	SOT[6]	SOT[5]	SOT[4]	SOT[3]	SOT[2]	SOT[1]	SOT[0]
12H	SOB[7]	SOB[6]	SOB[5]	SOB[4]	SOB[3]	SOB[2]	SOB[1]	SOB[0]
13H				INTB	OFP	IFP	SOB[8]	SOT[8]
14H	DOR[7]	DOR[6]	DOR[5]	DOR[4]	DOR[3]	DOR[2]	DOR[1]	DOR[0]
15H							COU TL	DOL[8]
16H	DOL[7]	DOL[6]	DOL[5]	DOL[4]	DOL[3]	DOL[2]	DOL[1]	DOL[0]
17H							COU TR	DOR[8]

SOUTT is abbreviated to SOT to fit the above table.

SOUTB is abbreviated to SOB to fit the above table.

DOUTL is abbreviated to DOL to fit the above table.

DOUTR is abbreviated to DOR to fit the above table.

12 OPERATION

12.1 Basic Connection Memory Access

12.1.1 Connection Memory Read

To perform a connection memory read, one selects an address in the range 0-269, encodes this as a 9 bit binary value and writes the lower 8 bits of this value into the Connection Address Low register. The upper bit of this address is then written into the Connection Address High register while also setting the RWB bit in the Connection Address High register to 1 and selecting the desired connection memory page. The trailing edge of the write to the Connection Address High register triggers the internal connection memory access by the TUDX and a read access is performed due to the RWB bit being a 1. The access requires up to ~400 ns to complete and one must wait this long or poll the BUSY bit in the Connection Data High register to determine that the access has completed. Once the access has completed as indicated by the BUSY bit going low, one can then read valid data in the Connection Data High and Low registers which was extracted during the just completed connection memory read access. Note that once a connection memory read access is triggered by writing to the Connection Address High register, no further changes should be made to the Connection Address High or Low registers until the access has completed. Similarly, prior to initiating any read access, one must ensure that any previously triggered access or page swap has completed before one begins to alter relevant register contents.

12.1.2 Connection Memory Write

To perform a connection memory write, one selects the data to be written and writes this data into the Connection Data High and Low registers. One then selects an address in the range 0-269, encodes this as a 9 bit binary value and writes the lower 8 bits of this value into the Connection Address Low register. The upper bit of this address is then written into the Connection Address High register while also setting the RWB bit in the Connection Address High register to 0 and selecting the desired connection memory page. The trailing edge of the write to the Connection Address High register triggers the internal connection memory access by the TUDX and a write access is performed due to the RWB bit being a 0. The access requires up to ~400 ns to complete and one must wait this long or poll the BUSY bit in the Connection Data High register to determine that the access has completed. Once the access has completed as indicated by the BUSY bit going low, one is free to begin set up for subsequent accesses.

Note that once a connection memory write access is triggered by writing to the Connection Address High register, no further changes should be made to the Connection Address High or Low registers or the Connection Data High or Low registers until the access has completed. Similarly, prior to initiating any write access, one must ensure that any previously triggered access or page swap has completed before one begins to alter relevant register contents.

12.2 Connection Set Up

To set up a connection, one must program connections for all of the 9 x 64 kbit/s timeslots that together constitute the tributary being connected. In the case of a VT1.5 or TU11, three connections must be programmed; in the case of a VT2 or TU12, four connections; and in the case of a VT6 or TU2, twelve connections. Any channel or tributary that can be constructed as a multiple of the basic 9 x 64 kbit/s timeslot may be switched using group connections.

To illustrate connection set up, consider the steps required to set up a VT1.5 cross-connection. For example, consider cross-connecting VT1.5 #1 of VT group #1 in STS-1 #1 of the STS-3 stream on the DINT bus to VT1.5 #4 of VT group #7 in STS-1 #3 of the STS-3 stream on the DOUTL bus. The incoming VT1.5 occupies the 13th, 100th, and 187th columns in the STS-3 frame as shown in Figure 1. The outgoing VT1.5 occupies the 96th, 183rd and 270th columns in the STS-3 frame. To make the connection one must connect each incoming timeslot occupied by the incoming VT1.5 to each outgoing timeslot occupied by the outgoing VT1.5 in the order in which the timeslots are utilized, i.e. 13th timeslot to 96th timeslot, 100th timeslot to 183rd timeslot, and 187th timeslot to 270th timeslot. The information that must be written to the Connection Address and Connection Data registers of the left switching element is as follows:

Table 7 - Connection Set Up

Connection Address	Connection Data	Connection/Notes
005FH	0A0CH	13th timeslot cross connects to 96th timeslot CA=95, CD=12 COUT=0, MAKE=1, IDLE=0, TOP=1
00B6H	0963H	100th timeslot cross connects to 183rd timeslot CA=182, CD=99 COUT=0, MAKE=1, IDLE=0, TOP=1
010DH	09BAH	187th timeslot cross connects to 270th timeslot CA=269, CD=186 COUT=0, MAKE=1, IDLE=0, TOP=1

Figure 6 - SONET STS-3 Carrying VT1.5 Within STS-1

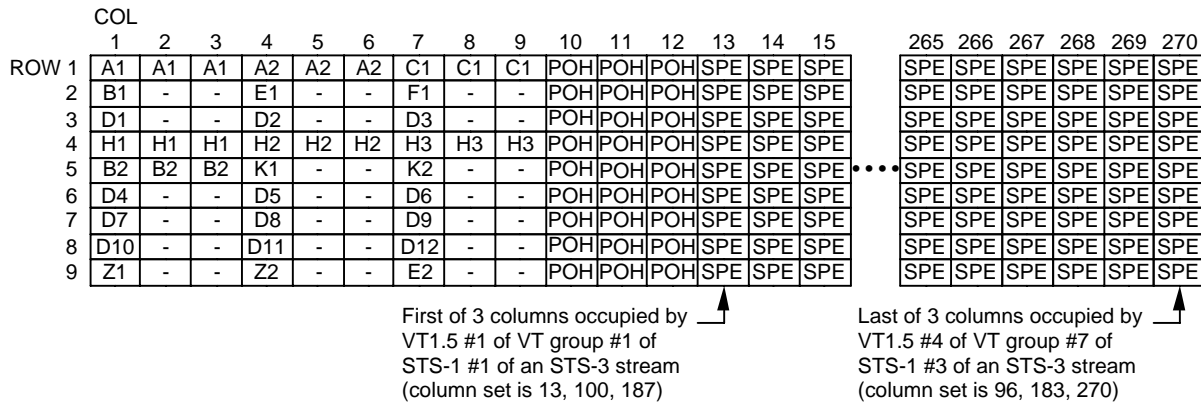


Figure 7 - SDH STM-1 Carrying TU12 Within VC3/AU3

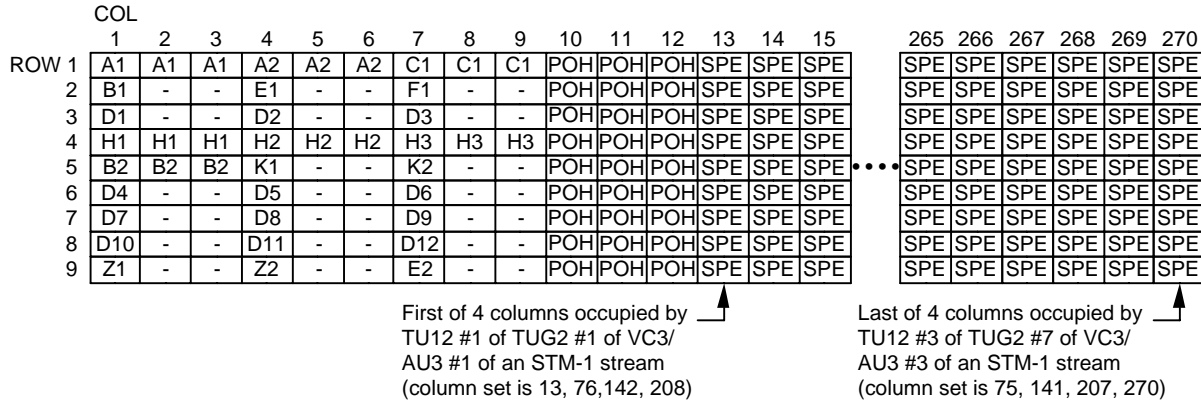
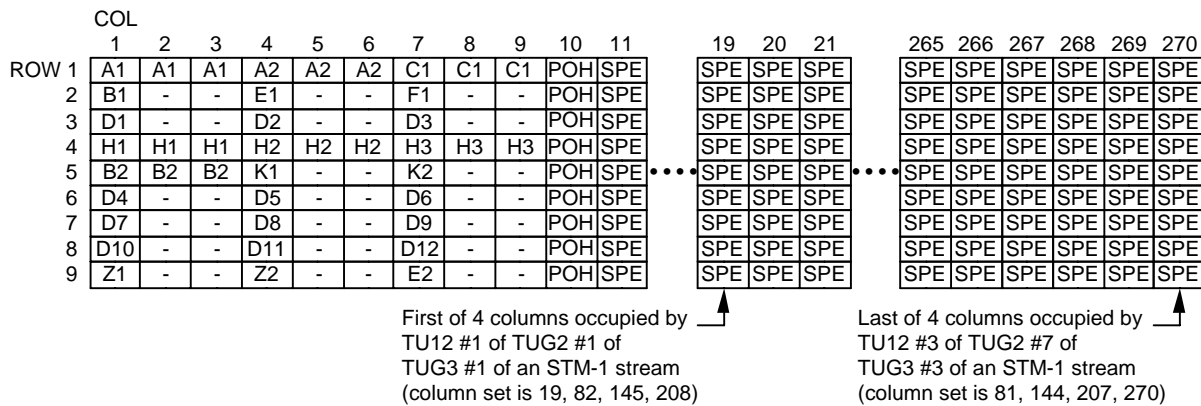


Figure 8 - SDH STM-1 Carrying TU12 Within TUG3



12.3 Idle Code Insertion

To enable idle code insertion, one must program idle code insertion for all of the 9 x 64 kbit/s timeslots that together constitute the tributary being affected. In the case of a VT1.5 or TU11, three insertions must be programmed; in the case of a VT2 or TU12, four insertions; and in the case of a VT6 or TU2, twelve insertions. Any channel or tributary that can be constructed as a multiple of the basic 9 x 64 kbit/s timeslot may be overwritten with idle code using a group insertion.

To illustrate idle code insertion set up, consider the steps required to set up idle code insertion into a TU12. For example, consider inserting idle code into TU12 #1 of TUG2 #1 in VC3/AU3 #1 of the STM-1 stream on the DOUTR bus. The outgoing TU12 occupies the 13th, 76th, 142nd and 208th columns in the STM-1

frame. To enable idle code insertion one must program idle code insertion for each outgoing timeslot occupied by the outgoing TU12. One would normally program the same idle code value for all timeslots occupied by the TU12 and choose a value that results in a useful status indication in the TU12, such as all ones for tributary path AIS. The information that must be written to the Connection Address and Connection Data registers of the right switching element is as follows:

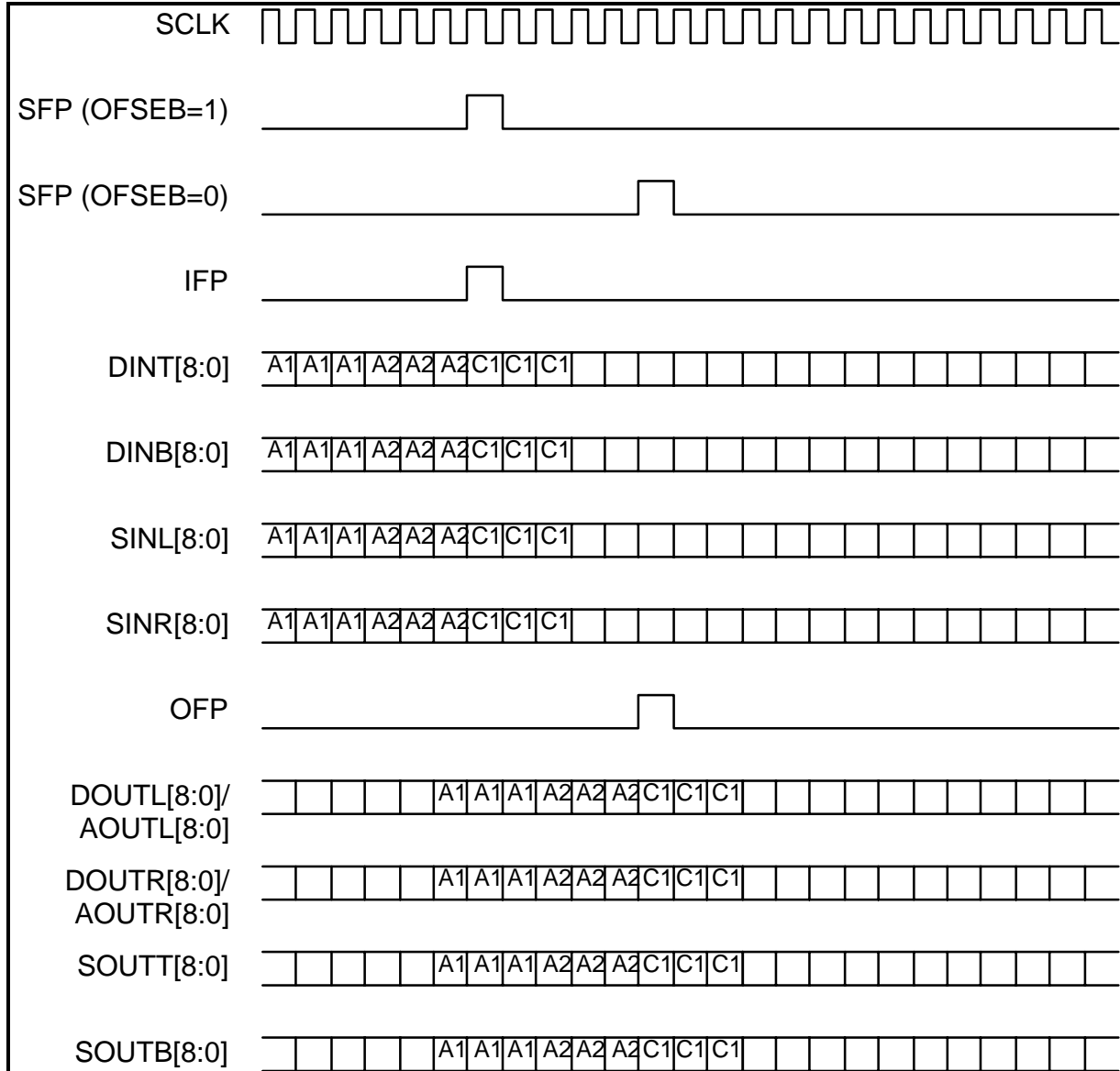
Table 8 - Idle Code Insertion

Connection Address	Connection Data	Connection/Notes
000CH	0DFFH	All ones inserted into 13th timeslot CA=12, CD=all ones COUT=0, MAKE=1, IDLE=1, TOP=0
004BH	0DFFH	All ones inserted into 76th timeslot CA=75, CD=all ones COUT=0, MAKE=1, IDLE=1, TOP=0
008DH	0DFFH	All ones inserted into 142nd timeslot CA=141, CD=all ones COUT=0, MAKE=1, IDLE=1, TOP=0
00CFH	0DFFH	All ones inserted into 208th timeslot CA=207, CD=all ones COUT=0, MAKE=1, IDLE=1, TOP=0

13 FUNCTIONAL TIMING

The DINT, DINB, SINL and SINR buses are nominally frame aligned, as are the DOUTL, DOUTR, SOUTT, and SOUTB buses. This alignment may be altered for use in systolic array applications when required. There is nominally a five clock cycle offset between the frame alignment of the input buses and the output buses. The SFP input, which synchronizes the frame alignment of the TUDX PCM buses, can be configured to mark the frame alignment of either the input or output buses, depending on the strapping of the OFSEB input. The timing of the AOUTL and AOUTR buses is identical to that of the DOUTL and DOUTR buses, respectively.

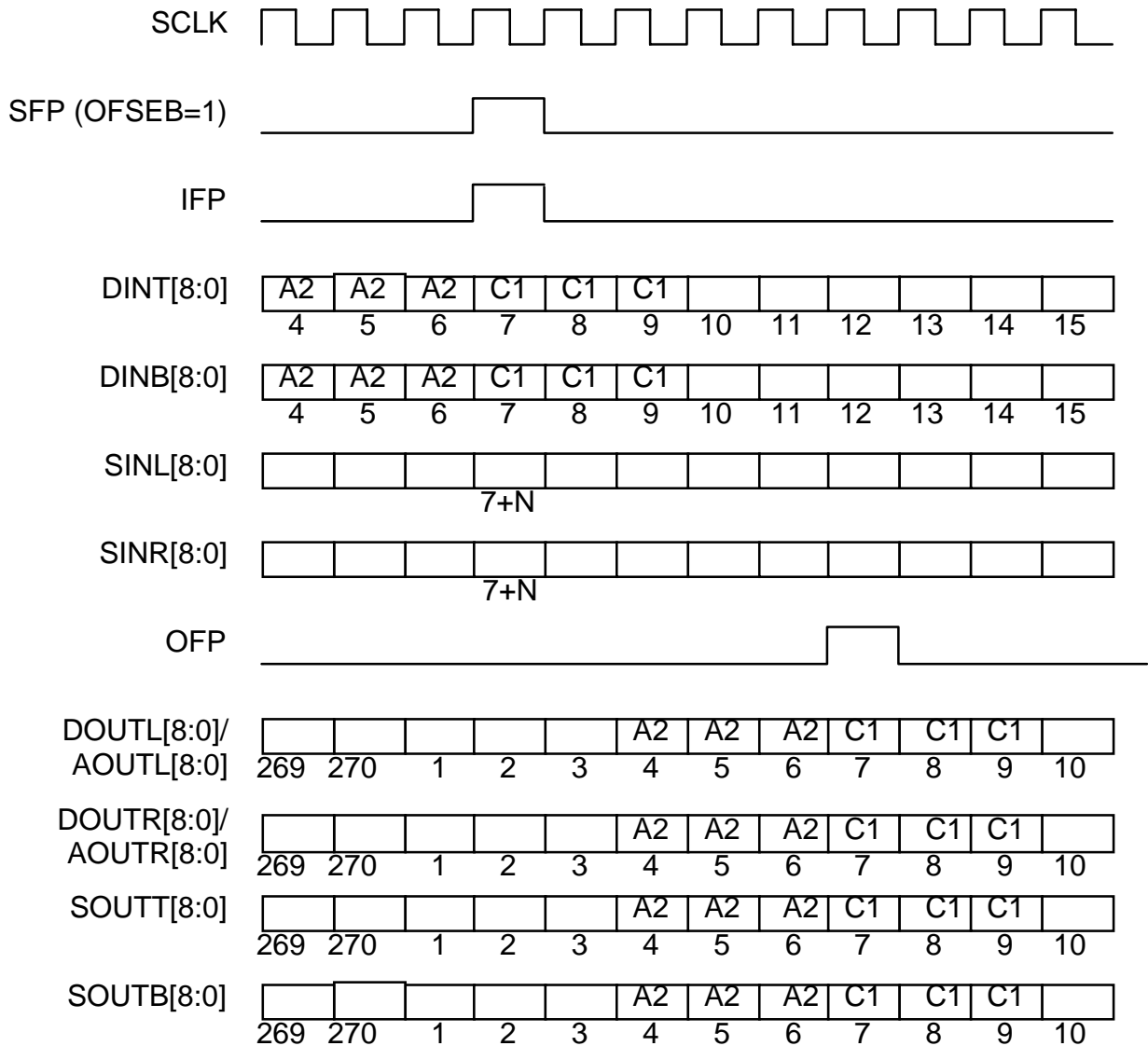
Figure 9 - Input/Output Bus Timing (systolic delay disabled)



The input/output bus timing diagram (Figure 9) illustrates the frame alignment through the TUDX when the programmable systolic delay is set to zero for every bus. SFP must occur once every SONET/SDH frame (9 rows), and is illustrated marking the C1 byte position in the incoming stream (DINT, DINB) or the outgoing stream (SOUTT, SOUTB) as selected by the OFSEB input. Output OFP always marks the C1 byte position in the SOUTT and SOUTB streams. OFP marks the C1 byte position in the DOUTL/DOUTr streams when a cross-connection has not been made through the device (the SINL/SINR streams flow

through the TUDX without modification). If a cross connection is made between the DINT/DINB streams and the DOUTL/DOU TR streams, then the data on DOUTL and DOU TR is delayed by 270 bytes due to the cross connection delay. In figure 4, output OFP would mark the E2 byte position in the SONET/SDH frame (i.e. the row immediately before the C1 row) if a cross connection is made between DINT/DINB and DOUTL/DOU TR.

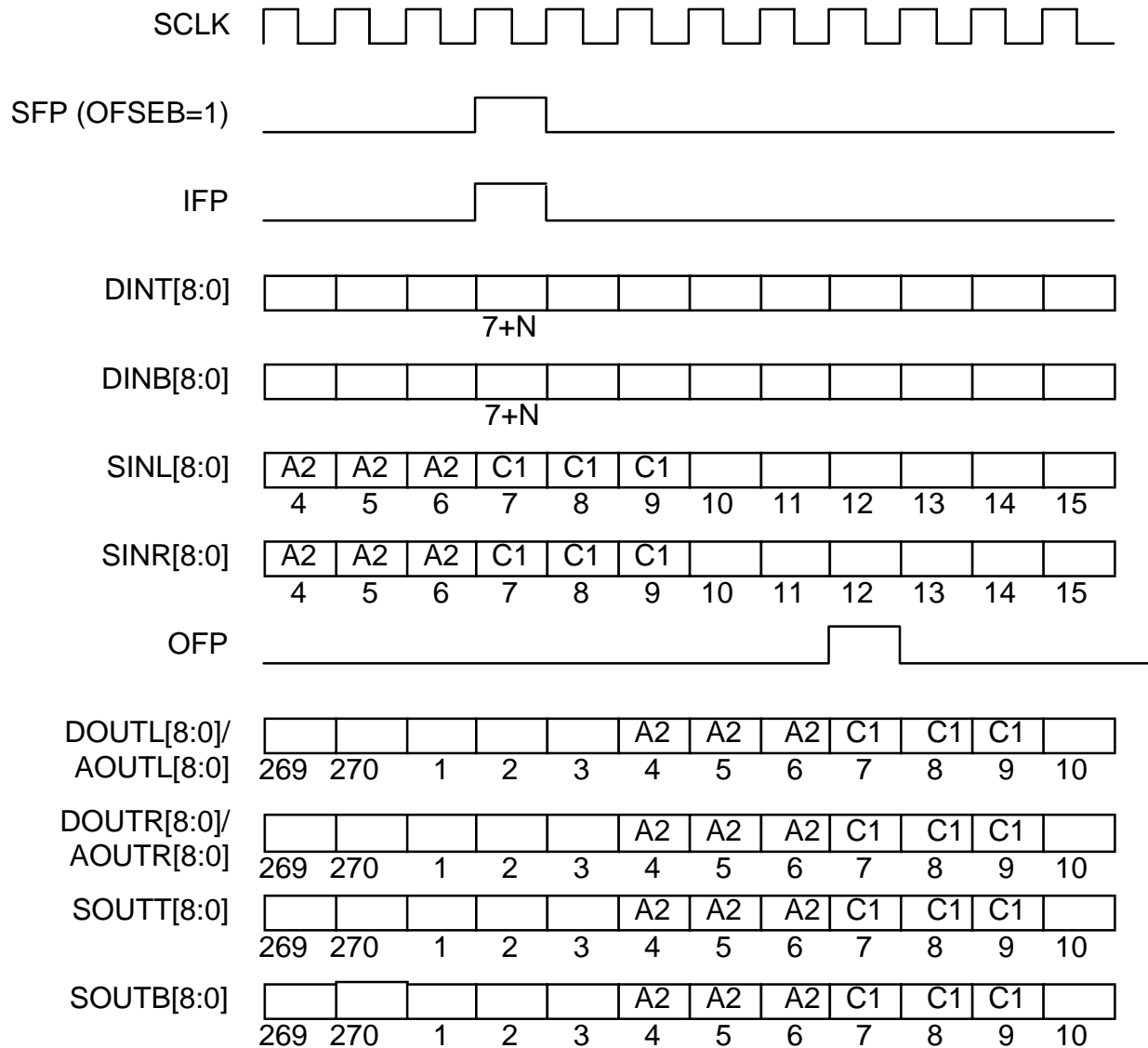
Figure 10 - Input/Output Bus Timing (systolic delay applied to SINL/SINR)



The input/output bus timing diagram (Figure 10) illustrates the frame alignment through the TUDX when the programmable systolic delay is applied to the

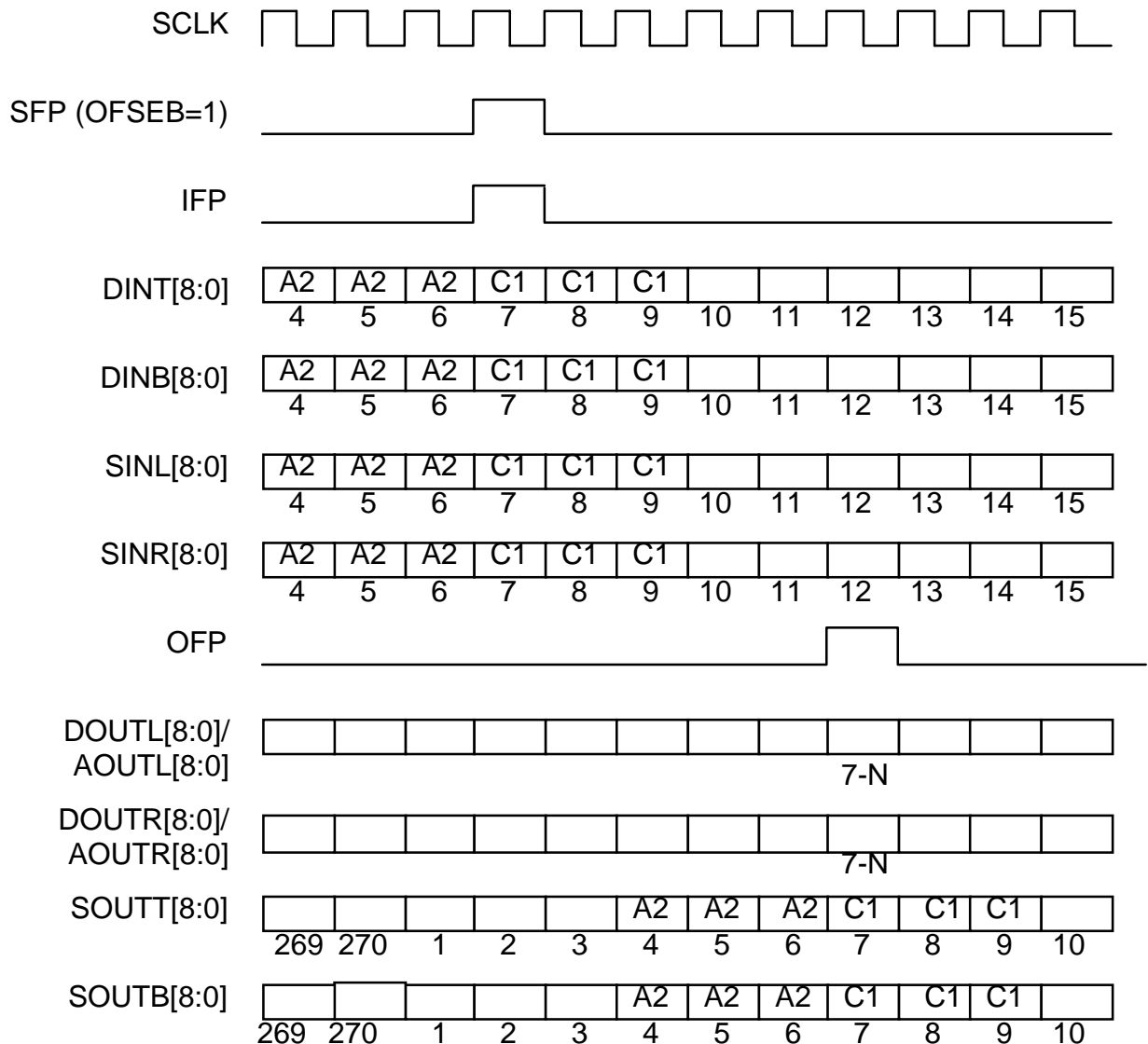
SINL/SINR buses. It is assumed that a cross connection has not been made through the device (the DOUTL/DOU TR streams are delayed versions of the SINL/SINR streams). The SINL/SINR streams are delayed by N bytes (N=0, 5, 10, or 15) depending on the value programmed in the Systolic Delay Control Register. This delay may be used in systolic array applications where the SINL/SINR streams must be offset as they enter the array through the first (or top) row.

Figure 11 - Input/Output Bus Timing (systolic delay applied to DINT/DINB)



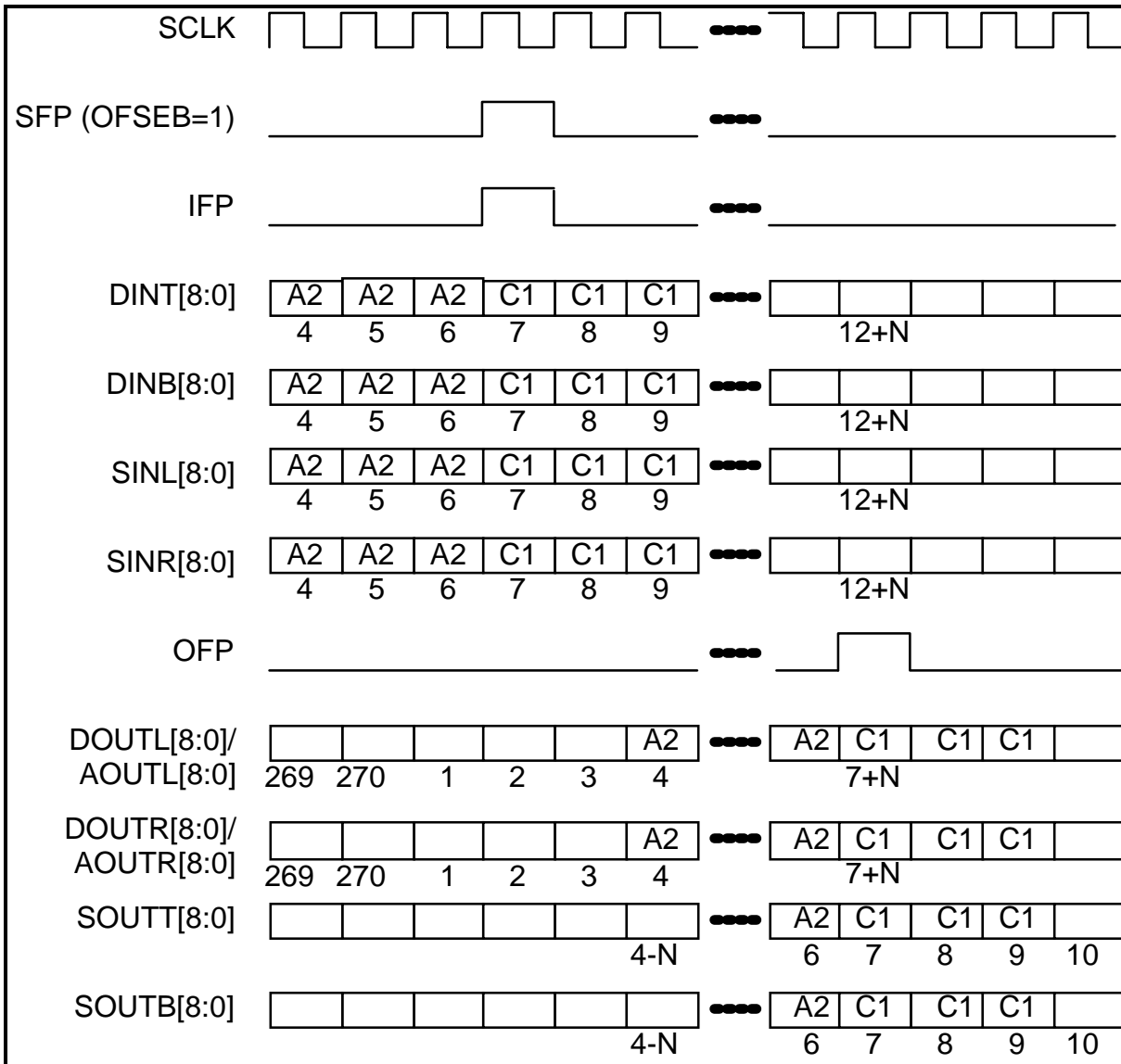
The input/output bus timing diagram (Figure 11) illustrates the frame alignment through the TUDX when the programmable systolic delay is applied to the DINT/DINB buses. It is assumed that a cross connection has not been made through the device (the DOUTL/DOU TR streams are delayed versions of the SINL/SINR streams). The DINT/DINB streams are delayed by N bytes (N=0, 5, 10, or 15) depending on the value programmed in the Systolic Delay Control Register. This delay may be used in systolic array applications where the DINT/DINB streams must be offset as they enter the array through the first (or leftmost) column.

Figure 12 - Input/Output Bus Timing (systolic delay applied to DOUTL/DOU TR)



The input/output bus timing diagram (Figure 13) illustrates the frame alignment through the TUDX when the programmable systolic delay is applied to the DOUTL/DOU TR buses. It is assumed that a cross connection has not been made through the device (the DOUTL/DOU TR streams are delayed versions of the SINL/SINR streams). The DOUTL/DOU TR streams are delayed by N bytes (N=0, 5, 10, or 15) depending on the value programmed in the Systolic Delay Control Register. This delay may be used in systolic array applications where the DOUTL/DOU TR streams must be aligned as they exit the array from the last (or bottom) row.

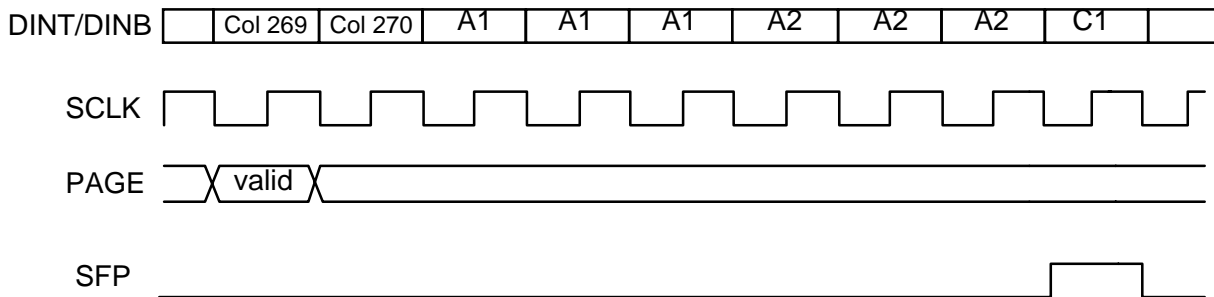
Figure 13 - Input/Output Bus Timing (systolic delay applied to SOUTT/SOUTB)



The input/output bus timing diagram (Figure 13) illustrates the frame alignment through the TUDX when the programmable systolic delay is applied to the SOUTT/SOUTB buses. It is assumed that a cross connection has not been made through the device (the DOUTL/DOUTR streams are delayed versions of the SINL/SINR streams). The SOUTT/SOUTB streams are delayed by N bytes ($N=0, 5, 10, \text{ or } 15$) depending on the value programmed in the Systolic Delay Control Register. This offset may be used in systolic array applications where the

SOUTT/SOUTB streams must be delayed as they exit the array through the last (or rightmost) column. This timing diagram differs from the previous three systolic delay timing diagrams in that the output frame pulse (OFP) is delayed identically to the SOUTT/SOUTB buses through the TUDX. OFP is delayed so that each outgoing frame pulse from the last (or rightmost) column marks the correct frame position in the SOUTT/SOUTB buses.

Figure 14 - Page Timing



The page timing diagram (Figure 14) illustrates the sampling of the PAGE input relative to the 270 byte row. The TUDX samples PAGE once per row during column 269 as illustrated (it is assumed that no systolic delay is applied to the DINT/DINB buses). PAGE is always sampled eight SCLK periods before SFP is sampled (note that SFP must be set high once every nine rows while PAGE is sampled once every row).

In systolic array applications, the individual TUDX frame alignments are offset. These frame alignment offsets must be taken into account when changing the PAGE input to ensure coherent connection memory page selection.

14 ABSOLUTE MAXIMUM RATINGS

Table 9 - TUDX Maximum Ratings

Ambient Temperature under Bias	-40°C to +85°C
Storage Temperature	-40°C to +125°C
Supply Voltage	-0.5V to +6.0V
Voltage on Any Pin	-0.5V to V _{DD} +0.5V
Static Discharge Voltage	±500 V
Latch-Up Current	±100 mA
DC Input Current	±20 mA
Lead Temperature	+230°C
Absolute Maximum Junction Temperature	+150°C
Power Dissipation	1.5 W

15 D.C. CHARACTERISTICS

($T_A = -40^{\circ}\text{C}$ to $+85^{\circ}\text{C}$, $V_{DD} = 5\text{ V} \pm 10\%$)

Table 10 - TUDX D.C. Characteristics

Symbol	Parameter	Min	Typ	Max	Units	Conditions
V_{IL}	Input Low Voltage	-0.5		0.8	Volts	Guaranteed Input LOW Voltage
V_{IH}	Input High Voltage	2.0		$V_{DD} + 0.5$	Volts	Guaranteed Input HIGH Voltage
V_{OL}	Output or Bidirectional Low Voltage			0.4	Volts	$V_{DD} = \text{min}$, $I_{OL} = 4\text{ mA}$ for D[7:0] and INTB, 8 mA for DOUTL[8:0], DOUTR[8:0], AOUTL[8:0], and AOUTR[8:0] and 2 mA for all others, Note 3
V_{OH}	Output or Bidirectional High Voltage	2.4			Volts	$V_{DD} = \text{min}$, $I_{OH} = 4\text{ mA}$ for D[7:0], 8 mA for DOUTL[8:0], DOUTR[8:0], AOUTL[8:0], and AOUTR[8:0] and 2 mA for all others, Note 3
V_{T+}	Reset Input High Voltage	4.0	3.2		Volts	
V_{T-}	Reset Input Low Voltage			0.8	Volts	
V_{TH}	Reset Input Hysteresis Voltage		0.5		Volts	
I_{ILPU}	Input Low Current	+20		+20 0	μA	$V_{IL} = \text{GND}$, Notes 1, 3
I_{IHPU}	Input High Current	-10		0	μA	$V_{IH} = V_{DD}$, Notes 1, 3

Symbol	Parameter	Min	Typ	Max	Units	Conditions
I _{ILPD}	Input Low Current	0		+10	μA	V _{IL} = GND, Notes 4, 3
I _{IHPD}	Input High Current	-200		-20	μA	V _{IH} = V _{DD} , Notes 4, 3
I _{IL}	Input Low Current	0		+10	μA	V _{IL} = GND, Notes 2, 3
I _{IH}	Input High Current	-10		0	μA	V _{IH} = V _{DD} , Notes 2, 3
C _{IN}	Input Capacitance			5	pF	Excluding Package, Package Typically 2 pF
C _{OUT}	Output Capacitance			5	pF	Excluding Package, Package Typically 2 pF
C _{IO}	Bidirectional Capacitance			5	pF	Excluding Package, Package Typically 2 pF
I _{DDOP1}	Operating Current All Connections			150	mA	V _{DD} = 5.5 V, Outputs Unloaded, SCLK = 19.44 MHz, Alternating Data, All Connections
I _{DDOP2}	Operating Current Switching Elements Not Enabled			50	mA	V _{DD} = 5.5 V, Outputs Unloaded, SCLK = 19.44 MHz, Alternating Data, Switching Elements Not Enabled

Notes on D.C. Characteristics:

1. Input pin or bidirectional pin with internal pull-up resistor.
2. Input pin or bidirectional pin without internal pull-up resistor
3. Negative currents flow into the device (sinking), positive currents flow out of the device (sourcing).
4. Input pin or bidirectional pin with internal pull-down resistor.

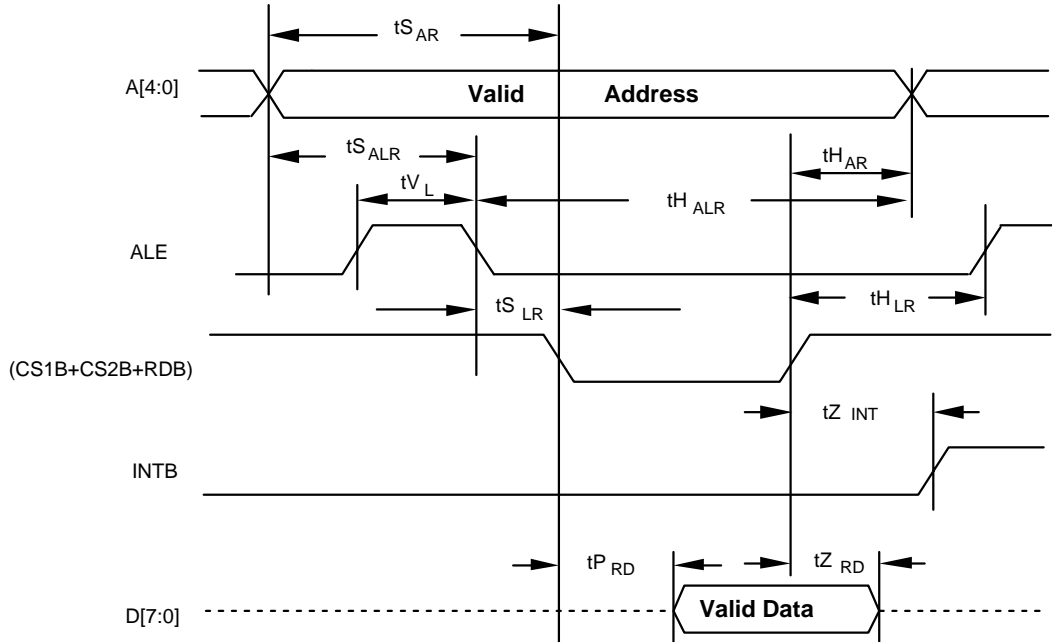
16 MICROPROCESSOR INTERFACE TIMING CHARACTERISTICS

($T_A = -40^{\circ}\text{C}$ to $+85^{\circ}\text{C}$, $V_{DD} = 5\text{ V} \pm 10\%$)

Table 11 - Microprocessor Interface Read Access (Figure 15, Figure 16)

Symbol	Parameter	Min	Max	Units
t _{SAR}	Address to Valid Read Set-up Time	25		ns
t _{HAR}	Address to Valid Read Hold Time	20		ns
t _{SALR}	Address to Latch Set-up Time	20		ns
t _{HALR}	Address to Latch Hold Time	20		ns
t _{VL}	Valid Latch Pulse Width	20		ns
t _{SRWB}	RWB to Valid Read Set-up Time	25		ns
t _{HRWB}	RWB to Valid Read Hold Time	20		ns
t _{SLR}	Latch to Read Set-up	0		ns
t _{HLR}	Latch to Read Hold	20		ns
t _{PRD}	Valid Read to Valid Data Propagation Delay		80	ns
t _{ZINT}	Valid INTB De-asserted to Output Hi-Z		50	ns
t _{ZRD}	Valid Read De-asserted to Output Hi-Z		20	ns

Figure 15 - Microprocessor Interface Read Access Timing For Intel Mode

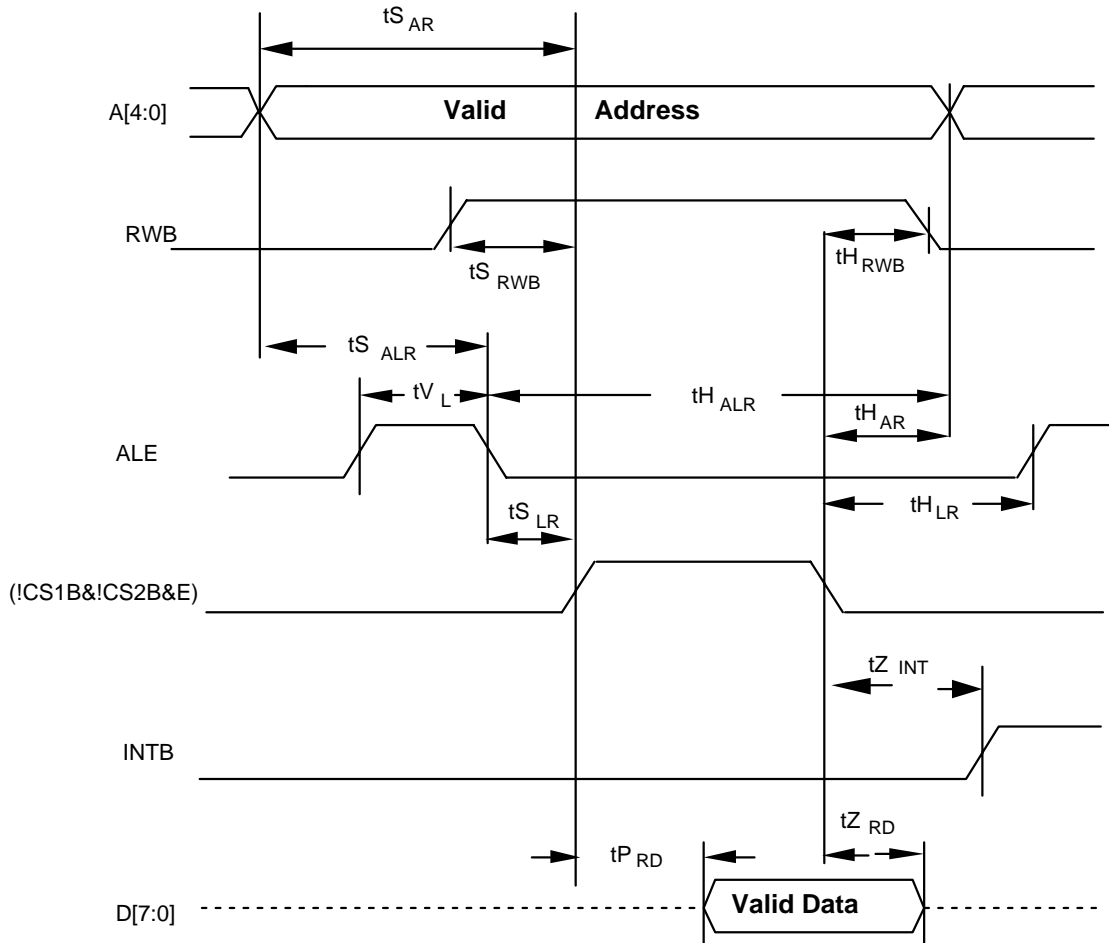


Notes on Microprocessor Interface Read Timing In Intel Mode:

1. Output propagation delay time is the time in nanoseconds from the 1.4 Volt point of the reference signal to the 1.4 Volt point of the output.
2. Maximum output propagation delays are measured with a 100 pF load on the Microprocessor Interface data bus, (D[7:0]).
3. A valid read cycle is defined as a logical OR of the CS1B, CS2B and the RDB signals.
4. Microprocessor Interface timing applies to normal mode register accesses only.
5. In non-multiplexed address/data bus architectures, ALE should be held high, parameters t_{S_ALR} , t_{H_ALR} , t_{V_L} , and t_{S_LR} are not applicable.
6. Parameter t_{H_AR} and t_{S_AR} are not applicable if address latching is used.
7. When a set-up time is specified between an input and a clock, the set-up time is the time in nanoseconds from the 1.4 Volt point of the input to the 1.4 Volt point of the clock.

- When a hold time is specified between an input and a clock, the hold time is the time in nanoseconds from the 1.4 Volt point of the clock to the 1.4 Volt point of the input.

Figure 16 - Microprocessor Interface Read Access Timing For Motorola Mode



Notes on Microprocessor Interface Read Timing in Motorola Mode:

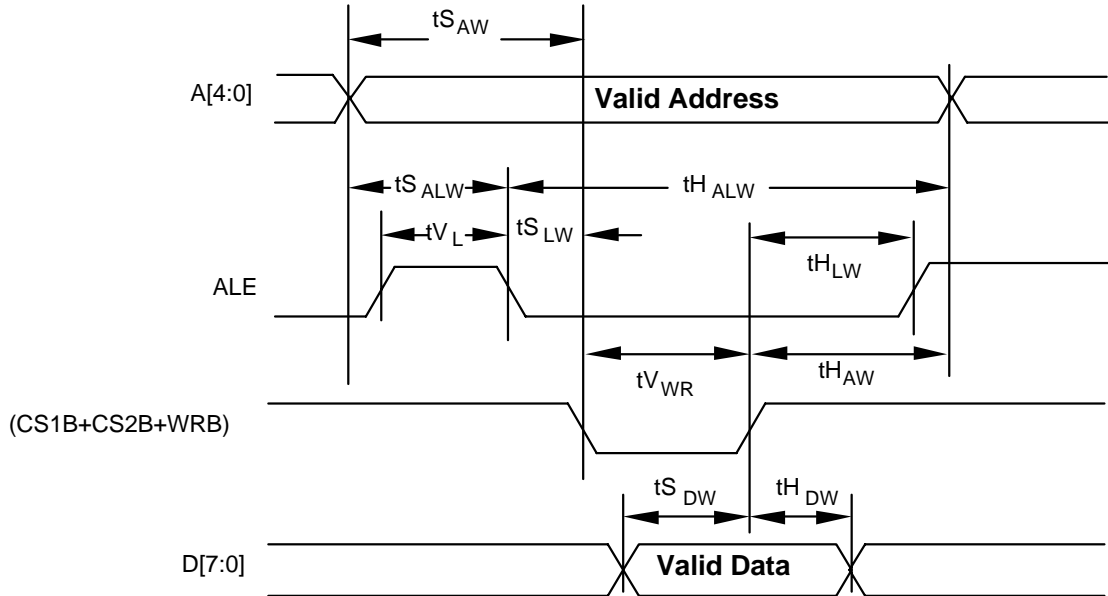
- Output propagation delay time is the time in nanoseconds from the 1.4 Volt point of the reference signal to the 1.4 Volt point of the output.
- Maximum output propagation delays are measured with a 100 pF load on the Microprocessor Interface data bus, (D[7:0]).

3. A valid read cycle is defined as a logical AND of the inverted CS1B, the inverted CS2B and the RDB signals.
4. Microprocessor Interface timing applies to normal mode register accesses only.
5. In non-multiplexed address/data bus architectures, ALE should be held high, parameters $t_{S_{ALR}}$, $t_{H_{ALR}}$, t_{V_L} , and $t_{S_{LR}}$ are not applicable.
6. Parameter $t_{H_{AR}}$ and $t_{S_{AR}}$ are not applicable if address latching is used.
7. When a set-up time is specified between an input and a clock, the set-up time is the time in nanoseconds from the 1.4 Volt point of the input to the 1.4 Volt point of the clock.
8. When a hold time is specified between an input and a clock, the hold time is the time in nanoseconds from the 1.4 Volt point of the clock to the 1.4 Volt point of the input.

Table 12 - Microprocessor Interface Write Access (Figure 17, Figure 18)

Symbol	Parameter	Min	Max	Units
t_{SAW}	Address to Valid Write Set-up Time	25		ns
t_{SDW}	Data to Valid Write Set-up Time	20		ns
$t_{S_{ALW}}$	Address to Latch Set-up Time	20		ns
$t_{H_{ALW}}$	Address to Latch Hold Time	20		ns
$t_{S_{RWB}}$	RWB to Valid Write Set-up Time	25		ns
$t_{H_{RWB}}$	RWB to Valid Write Hold Time	20		ns
t_{V_L}	Valid Latch Pulse Width	20		ns
$t_{S_{LW}}$	Latch to Write Set-up	0		ns
$t_{H_{LW}}$	Latch to Write Hold	20		ns
$t_{H_{DW}}$	Data to Valid Write Hold Time	20		ns
$t_{H_{AW}}$	Address to Valid Write Hold Time	20		ns
$t_{V_{WR}}$	Valid Write Pulse Width	40		ns

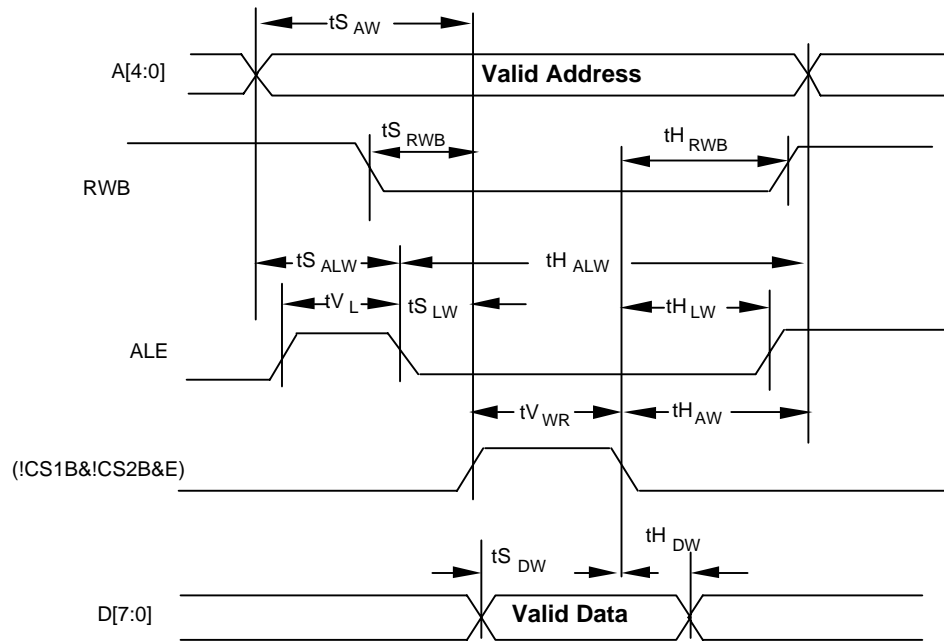
Figure 17 - Microprocessor Interface Write Access Timing For Intel Mode



Notes on Microprocessor Interface Write Timing In Intel Mode:

1. A valid write cycle is defined as a logical OR of the CS1B, CS2B and WRB.
2. Microprocessor Interface timing applies to normal mode register accesses only.
3. In non-multiplexed address/data bus architectures, ALE should be held high, parameters $t_{S_{ALW}}$, $t_{H_{ALW}}$, t_{V_L} , and $t_{S_{LW}}$ are not applicable.
4. Parameters $t_{H_{AW}}$ and $t_{S_{AW}}$ are not applicable if address latching is used.
5. Output propagation delay time is the time in nanoseconds from the 1.4 Volt point of the reference signal to the 1.4 Volt point of the output.
6. When a set-up time is specified between an input and a clock, the set-up time is the time in nanoseconds from the 1.4 Volt point of the input to the 1.4 Volt point of the clock.
7. When a hold time is specified between an input and a clock, the hold time is the time in nanoseconds from the 1.4 Volt point of the clock to the 1.4 Volt point of the input.

Figure 18 - Microprocessor Interface Write Access Timing For Motorola Mode



Notes on Microprocessor Interface Write Timing In Motorola Mode:

1. A valid write cycle is defined as a logical AND of the inverted CS1B, inverted CS2B and the E signal when RWB is low.
2. Microprocessor Interface timing applies to normal mode register accesses only.
3. In non-multiplexed address/data bus architectures, ALE should be held high, parameters t_{SALW} , t_{HALW} , t_{VL} , and t_{SLW} are not applicable.
4. Parameters t_{HAW} and t_{SAW} are not applicable if address latching is used.
5. Output propagation delay time is the time in nanoseconds from the 1.4 Volt point of the reference signal to the 1.4 Volt point of the output.
6. When a set-up time is specified between an input and a clock, the set-up time is the time in nanoseconds from the 1.4 Volt point of the input to the 1.4 Volt point of the clock.

7. When a hold time is specified between an input and a clock, the hold time is the time in nanoseconds from the 1.4 Volt point of the clock to the 1.4 Volt point of the input.

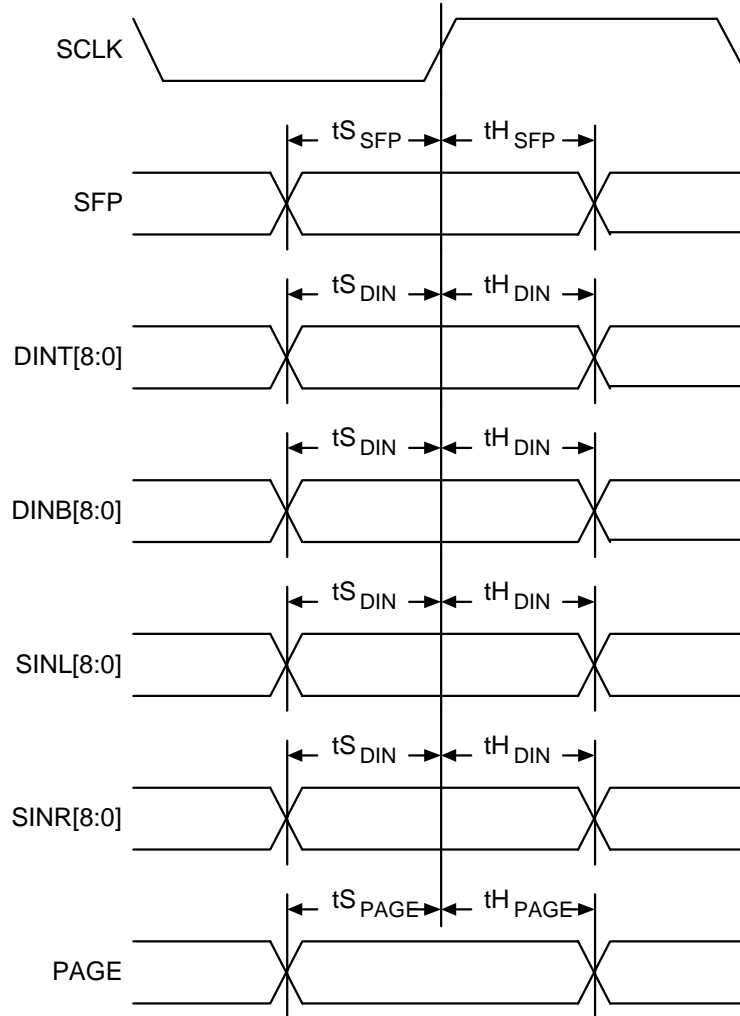
17 TUDX TIMING CHARACTERISTICS

($T_A = -40^{\circ}\text{C}$ to $+85^{\circ}\text{C}$, $V_{DD} = 5\text{ V} \pm 10\%$)

Table 13 - TUDX Input (Figure 19)

Symbol	Description	Min	Max	Units
	SCLK Frequency (nominally 19.44MHz)		20	MHz
	SCLK Duty Cycle	40	60	%
t _{SDIN}	DIN Set-up Time	4		ns
t _{HDIN}	DIN Hold Time	3		ns
t _{SSFP}	SFP Set-Up Time	4		ns
t _{HSFP}	SFP Hold Time	3		ns
t _{SPAGE}	PAGE Set-Up Time	4		ns
t _{HPAGE}	PAGE Hold Time	3		ns

Figure 19 - Input Timing



Notes on Input Timing:

1. When a set-up time is specified between an input and a clock, the set-up time is the time in nanoseconds from the 1.4 Volt point of the input to the 1.4 Volt point of the clock.
2. When a hold time is specified between an input and a clock, the hold time is the time in nanoseconds from the 1.4 Volt point of the clock to the 1.4 Volt point of the input.

Table 14 - TUDX Output (Figure 20)

Load = 60 pF, including 10 pF output capacitance.

Symbol	Description	Min	Max	Units
tPCOUT	SCLK High to COUT Valid Propagation Delay	5	25	ns
tPFP	SCLK High to FP Valid Propagation Delay	5	25	ns

Table 15 - Systolic Output Configuration

ODEB = 1, AOBEB = 1, load = 60 pF, including 10 pF output capacitance.

Symbol	Description	Min	Max	Units
TPDOUT	SCLK High to DOUT Valid Propagation Delay	5	40	ns

Table 16 - Bused Output Configuration

ODEB = 0, AOBEB = 1, load = 600 ohm pullup and 50 pF , including 10 pF output capacitance.

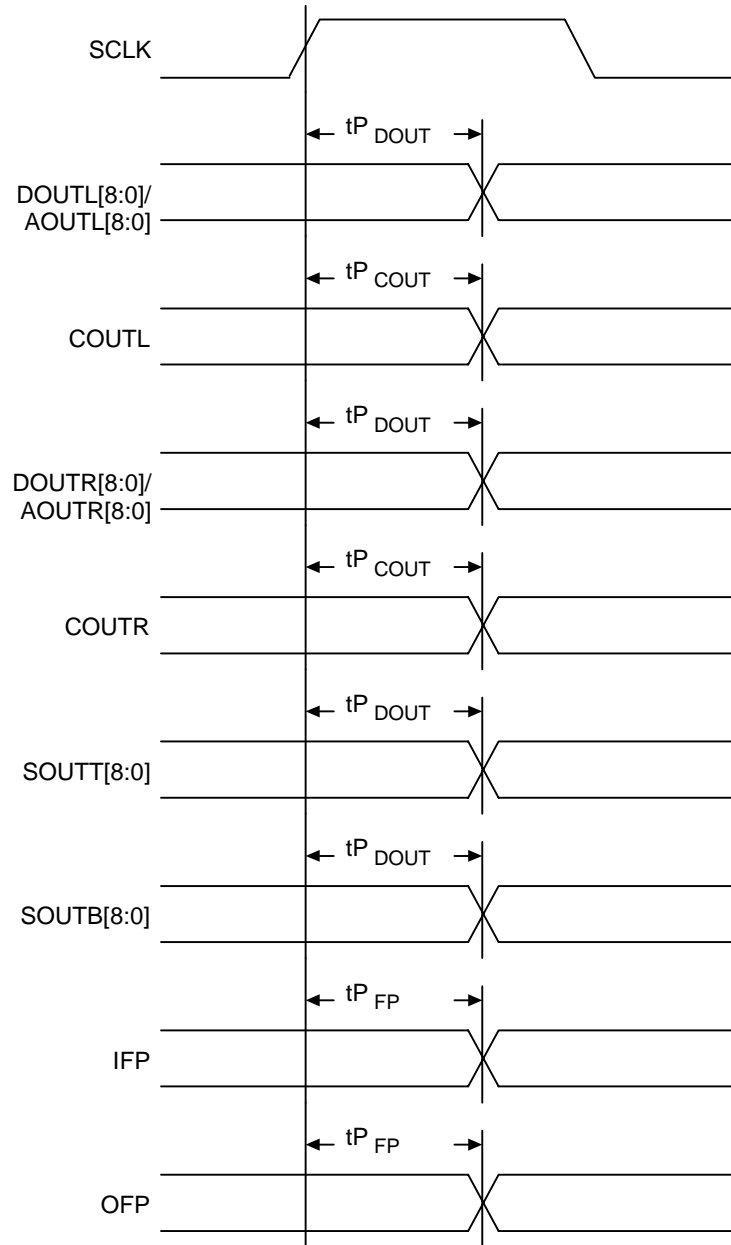
Symbol	Description	Min	Max	Units
TPDOUT	SCLK High to DOUT Valid Propagation Delay	5	40	ns

Table 17 - Parallel Bused Output Configuration

ODEB = 0, AOBEB = 0, load = 300 ohm pullup and 100 pF , including 20 pF output capacitance due to parallel DOUT/AOUT output connection.

Symbol	Description	Min	Max	Units
tPDOUT	SCLK High to DOUT Valid Propagation Delay	5	40	ns

Figure 20 - Output Timing



Notes on Output Timing:

1. Output propagation delay time is the time in nanoseconds from the 1.4 Volt point of the reference signal to the 1.4 Volt point of the output signal in the

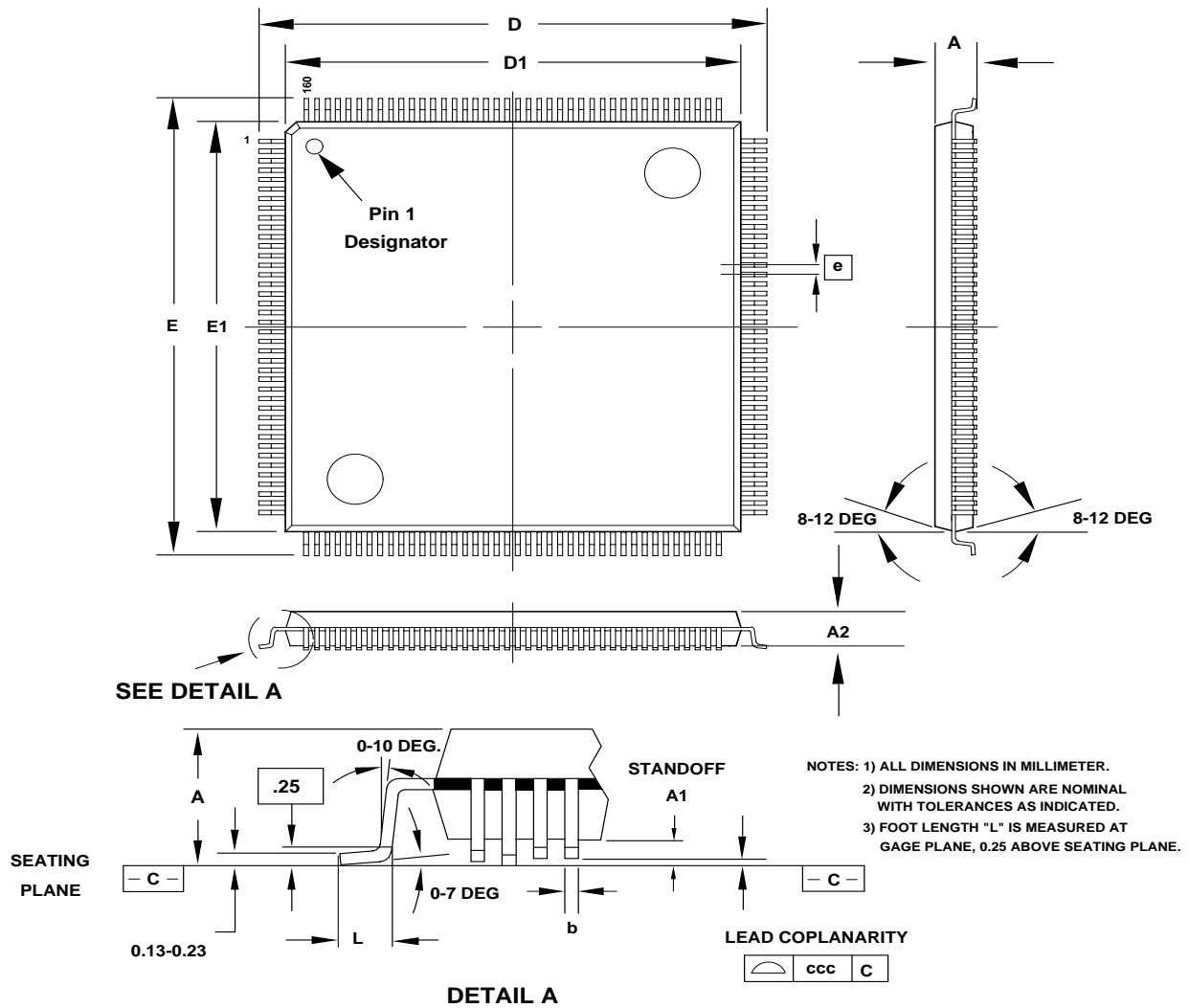
systemic application and to the 2.4 Volt point of the output signal in the bused (open drain) applications.

18 ORDERING AND THERMAL INFORMATION**Table 18 - Ordering PM5372-RI**

PART NO.		DESCRIPTION	
PM5371-RI		160 Pin Copper Leadframe Metric Quad Flat Pack (MQFP)	
PART NO.	AMBIENT TEMPERATURE	Theta Ja	Theta Jc
PM5371-RI	-40°C to 85°C	45 °C/W	13 °C/W

19 MECHANICAL INFORMATION

Figure 21 - Metric Quad Flat Pack – MQFP (Body 28x28x3.49mm)



PACKAGE TYPE: 160 PIN METRIC PLASTIC QUAD FLATPACK-MQFP											
BODY SIZE: 28 x 28 x 3.49 MM											
Dim.	A	A1	A2	D	D1	E	E1	L	e	b	ccc
Min.	3.42	0.25	3.17	30.95	27.85	30.95	27.85	0.73		0.22	
Nom.			3.42	31.20	28.00	31.20	28.00	0.88	0.65		
Max.	4.07	0.39	3.68	31.45	28.10	31.45	28.10	1.03		0.38	0.10

NOTES

CONTACTING PMC-SIERRA, INC.

PMC-Sierra, Inc.
105-8555 Baxter Place Burnaby, BC
Canada V5A 4V7

Tel: (604) 415-6000

Fax: (604) 415-6200

Document Information: document@pmc-sierra.com
Corporate Information: info@pmc-sierra.com
Application Information: apps@pmc-sierra.com
Web Site: <http://www.pmc-sierra.com>

None of the information contained in this document constitutes an express or implied warranty by PMC-Sierra, Inc. as to the sufficiency, fitness or suitability for a particular purpose of any such information or the fitness, or suitability for a particular purpose, merchantability, performance, compatibility with other parts or systems, of any of the products of PMC-Sierra, Inc., or any portion thereof, referred to in this document. PMC-Sierra, Inc. expressly disclaims all representations and warranties of any kind regarding the contents or use of the information, including, but not limited to, express and implied warranties of accuracy, completeness, merchantability, fitness for a particular use, or non-infringement.

In no event will PMC-Sierra, Inc. be liable for any direct, indirect, special, incidental or consequential damages, including, but not limited to, lost profits, lost business or lost data resulting from any use of or reliance upon the information, whether or not PMC-Sierra, Inc. has been advised of the possibility of such damage.

© 1998 PMC-Sierra, Inc.

PMC-920525 (R6) ref PMC-920103 (R12) Issue date: September 1998