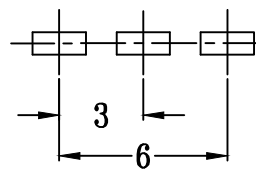
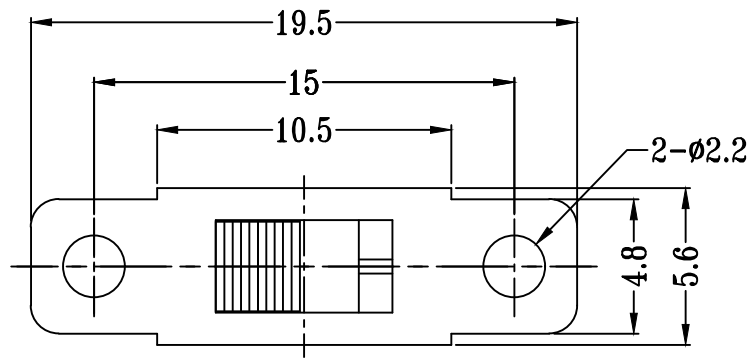


**SCHEMATIC (NON-SHORTING)**

**SS-12F30-GXXX**

直柄 G-Switch P/N

- G=020 (2.0) G=030 (3.0)
- G=040 (4.0) G=050 (5.0)
- G=055 (5.5) G=060 (6.0)
- G=065 (6.5) G=070 (7.0)
- G=075 (7.5) G=080 (8.0)
- G=085 (8.5) G=090 (9.0)
- G=095 (9.5) G=100 (10.0)



**P.C.B LAYOUT  
BOTTOM VIEW**

G-Switch Specification:  
 RATING (额定值) : DC250V 0.5A  
 CONTACT RESISTANCE 接触电阻:  $\leq 70m\Omega$   
 INSULATION RESISTANCE 绝缘电阻:  $\geq 100m\Omega$   
 DIELECTRIC STRENGTH 耐电压: AC 500V for 1 minute  
 TIMING (时间特性) : SHORTING



		<b>G-Switch Electronic Technology CO.,Ltd.</b>				
					DESIGN 陈锋枫	DATE 2016.05.29
Unless otherwise specified, Tolerance: X. $\pm 0.30$ X.x $\pm 0.20$ X.xx $\pm 0.15$ X.xxx $\pm 0.10$ Angles $\pm 3'$		CHECKED	DATE	<b>SS-12F30-GXXX</b>		
		APPROVED	DATE			
		<a href="http://www.dg-switch.com">http://www.dg-switch.com</a>		REV.: X1	SCALE: 4:1	UNIT: mm
		TEL: 0769-82388879		SIZE: A4	SHEET: 1/1	