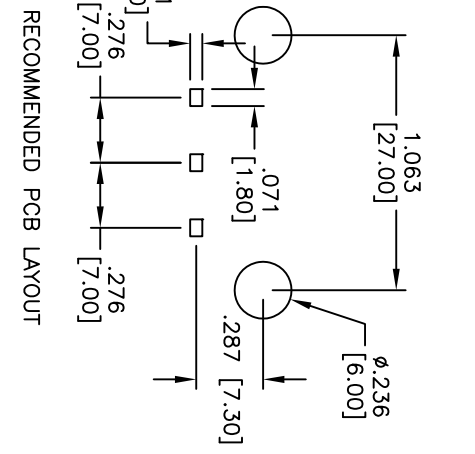
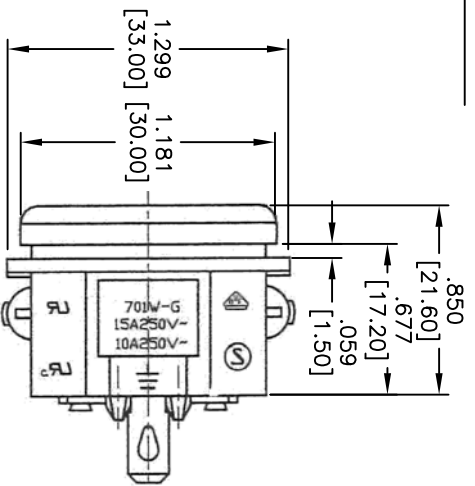
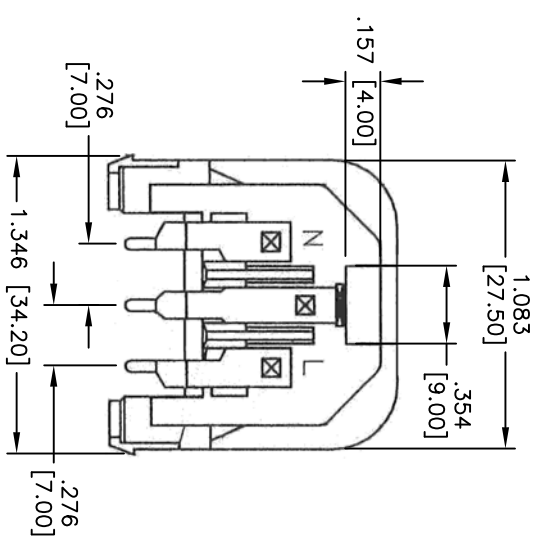
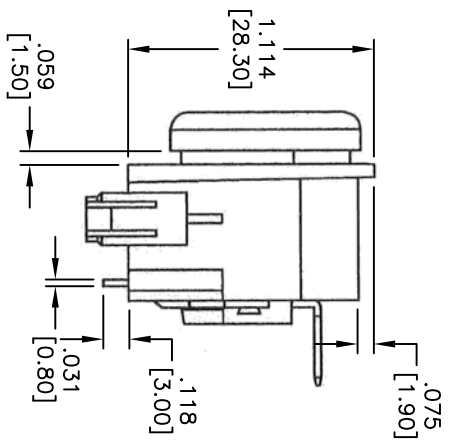
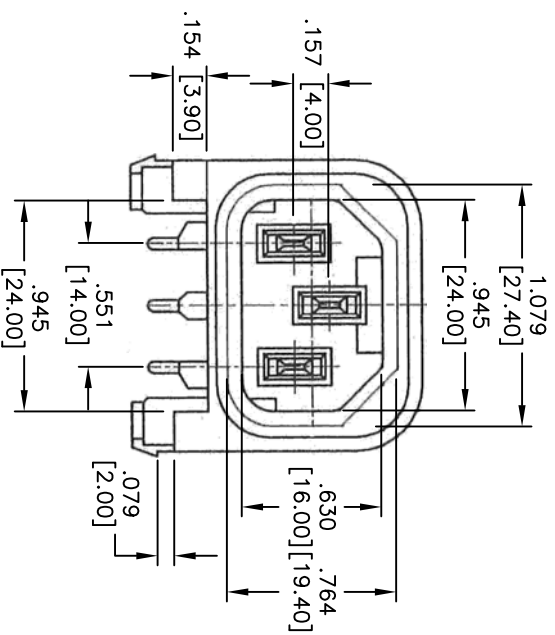


Rev	AWO #	Description	Date	Appr
-		RELEASED	10/26/09	

APPROVED: _____
 DATE: _____ TITLE: _____



RECOMMENDED PCB LAYOUT



SPECIFICATIONS:

Material: Insulator: Thermoplastic, rated UL 94V-0
 Insulator color: Black
 Soldering Pin: Brass, Tin plated
 Contact: Brass, Nickel plated
 Electrical:
 Rating: 15A/10A 250 VAC
 Temperature Rating: Operating temperature: -25°C to +70°C
 Environmental: Lead free, RoHS compliant



ADAM TECH

909 Rahway Avenue, Union, NJ 07083
 Phone: 908-687-5000 Fax: 908-687-5710

IEC INLET, SNAP IN MOUNTING, R/A, 250V

UNLESS OTHERWISE SPECIFIED ALL DIMENSIONS ARE INCHES [MM]	
TOLERANCES: EXCEPT AS NOTED	
INCHES	HOLDS
.X ± .10	ØX ± .10
.XX ± .020	ØXX ± .015
.XXX ± .015	ØXXX ± .010
APPROVALS	DATE
DRAWN DY	10/26/09
CHECKED	
APPROVED	

SIZE	PART NO.	REV.
X	IEC-S-4-150	-
REF:	S00061T	SCALE: NTS
		SHEET 1 OF 1