

RJ-45

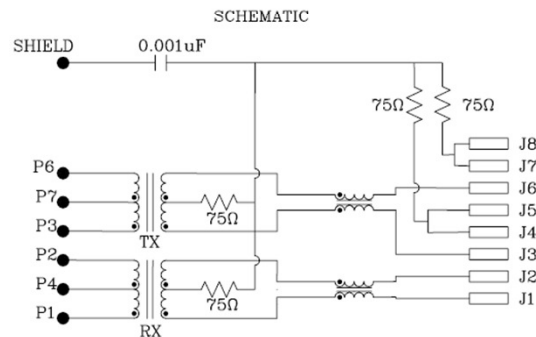
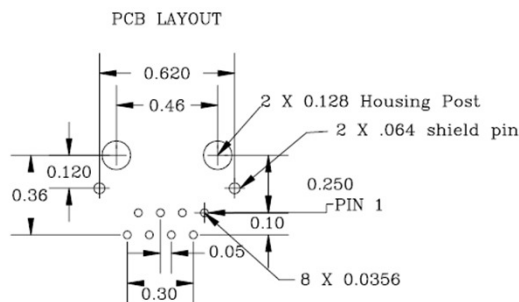
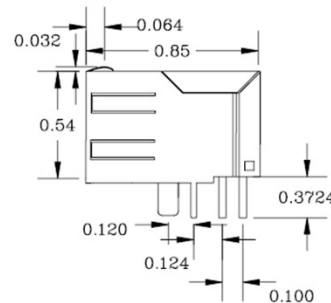
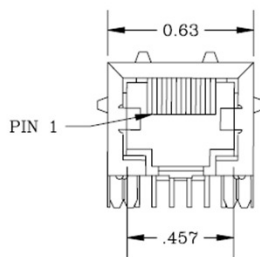
Connector Modules with Intergrated LAN Magnetics

8305-8312

- Unique layout conserves precious circuit board space
- Designed for HUB applications
- IEEE 802.3u
- Compliant with a wide assortment of ICs
- Primary center taps available for additional EMI reduction



MECHANICAL AND SCHEMATIC (All dimensions in inches)



UNLESS OTHERWISE SPECIFIED, ALL TOLERANCES ARE ±0.010

ELECTRICAL SPECIFICATION @ 25°C

Part Number	Inductance μH min 8mADC 0 - 70°C (J1-J2) & (J3-J6)	Return Loss dB min			CMRR (TX/RX)		Crosstalk dB min		Voltage Isolation 10 mA, 1 min. (Vrms)	Turns Ratio	
		1 - 30 MHz	30 - 60 MHz (f/30 MHz)	60 - 80 MHz	1 - 60 MHz	60 - 100 MHz	1 - 60 MHz	60 - 100 MHz		TX	RX
8305	350	16	16 - 20 log (f/30 MHz)	10	45 / 40	40 / 35	40	38	1500	1CT:1CT	1CT:1CT
8306	350	16	16 - 20 log (f/30 MHz)	10	45 / 40	40 / 35	40	38	1500	1.414CT:1CT	1CT:1CT
8307	350	16	16 - 20 log (f/30 MHz)	10	45 / 40	40 / 35	40	38	1500	2CT:1CT	1CT:1CT
8308	350	16	16 - 20 log (f/30 MHz)	10	45 / 40	40 / 35	40	38	1500	1.25CT:1CT	1CT:1CT
8309	350	16	16 - 20 log (f/30 MHz)	10	45 / 40	40 / 35	40	38	1500	1CT:1.414CT	1CT:1CT
8310	350	16	16 - 20 log (f/30 MHz)	10	45 / 40	40 / 35	40	38	1500	1CT:1.25CT	1CT:1CT
8311	350	16	16 - 20 log (f/30 MHz)	10	45 / 40	40 / 35	40	38	1500	1CT:2CT	1CT:1CT
8312	350	16	16 - 20 log (f/30 MHz)	10	45 / 40	40 / 35	40	38	1500	1CT:2.5CT	1CT:1CT