

PLEASE CHECK WWW.MOLEX.COM FOR LATEST PART INFORMATION

Part Number: **0751171018**
Status: **Active**
Overview: vhdm
Description: 2.00mm (.079") Pitch VHDM® Board-to-Board Stacker Receptacle, Vertical, 8-Row, 400 Circuits, 1.27µm (50µ") Gold (Au)

Documents:

[Packaging Specification \(PDF\)](#)
[Drawing \(PDF\)](#)

[Product Specification PS-74031-999 \(PDF\)](#)
[RoHS Certificate of Compliance \(PDF\)](#)

General

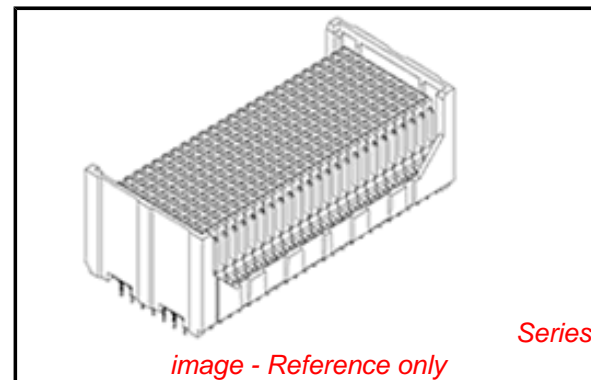
| | |
|-------------------------------|---|
| Product Family | Backplane Connectors |
| Series | 75117 |
| Application | Daughtercard |
| Application Tooling Documents | Tooling Manual |
| Comments | Stack Height 18mm (.708"), Lead Free |
| Component Type | PCB Receptacle |
| Overview | vhdm |
| Product Name | VHDM® |
| Style | N/A |

Physical

| | |
|--------------------------------|---|
| Circuits (Loaded) | 400 |
| Circuits (maximum) | 400 |
| Color - Resin | Black |
| Durability (mating cycles max) | 200 |
| First Mate / Last Break | No |
| Guide to Mating Part | No |
| Keying to Mating Part | None |
| Material - Metal | Copper-Nickel-Silicon, High Performance Alloy (HPA) |
| Material - Plating Mating | Gold |
| Material - Plating Termination | Tin-Lead |
| Material - Resin | High Temperature Thermoplastic |
| Number of Columns | N/A |
| Number of Pairs | Open Pin Field |
| Number of Rows | 8 |
| Orientation | Vertical |
| PCB Retention | None |
| PCB Thickness Recommended (in) | 0.070 In |
| PCB Thickness Recommended (mm) | 1.80 mm |
| Packaging Type | Tube |
| Pitch - Mating Interface (in) | 0.079 In |
| Pitch - Mating Interface (mm) | 2.00 mm |
| Plating min: Mating (µin) | 50 |
| Plating min: Mating (µm) | 1.25 |
| Plating min: Termination (µin) | 30 |
| Plating min: Termination (µm) | 0.75 |
| Polarized to PCB | No |
| Surface Mount Compatible (SMC) | Yes |
| Temperature Range - Operating | -55°C to +105°C |
| Termination Interface: Style | Through Hole - Compliant Pin |

Electrical

| | |
|-------------------------------|------------|
| Current - Maximum per Contact | 1A |
| Data Rate | 3.125 Gbps |



EU RoHS

RoHS Compliant by Exemption

REACH SVHC

Not Reviewed

Halogen-Free

Status

Not Reviewed

Need more information on product environmental compliance?

Email productcompliance@molex.com
 For a multiple part number RoHS Certificate of Compliance, [click here](#)

Please visit the [Contact Us](#) section for any non-product compliance questions.

China RoHS



Search Parts in this Series

75117Series

Mates With

[74060](#) VHDM® Board-to-Board Backplane Header

Application Tooling | FAQ

Tooling specifications and manuals are found by selecting the products below. Crimp Height Specifications are then contained in the Application Tooling Specification document.

Global

| Description | Product # |
|--|----------------------------|
| VHDM® Single Wafer Removal Tool, 8 Row | 0622021450 |

| | |
|-------------------------|------------------|
| Real Signals (per 25mm) | 100 |
| Voltage - Maximum | 120V AC (RMS)/DC |

Material Info

Reference - Drawing Numbers

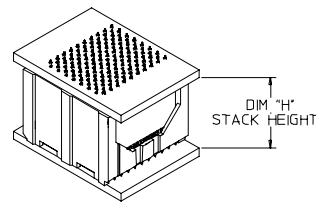
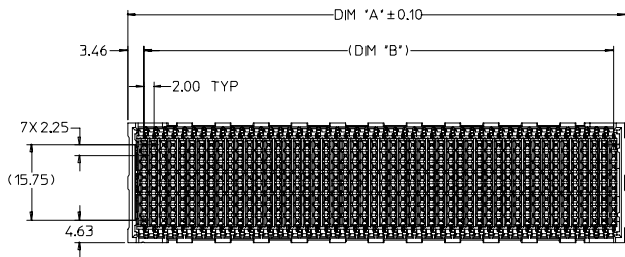
| | |
|-----------------------|--------------|
| Product Specification | PS-74031-999 |
| Sales Drawing | SD-75117-001 |

VHDM and Very High Density Metric are trademarks of Amphenol Corporation

This document was generated on 05/17/2010

PLEASE CHECK WWW.MOLEX.COM FOR LATEST PART INFORMATION

20 19 18 17 16 15 14 13 12 11 75117 9 8 7 6 5 4 3 2 1

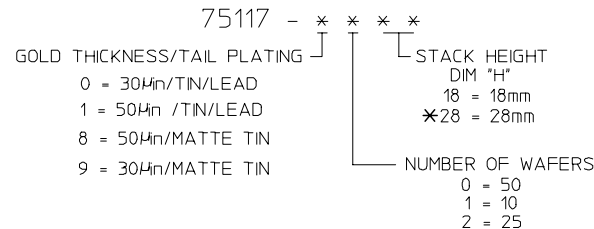


MATED VIEW
10-WAFER CONNECTOR SHOWN

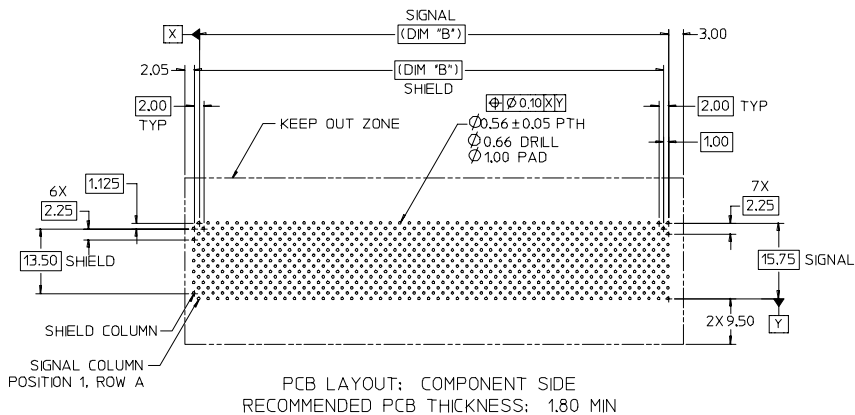
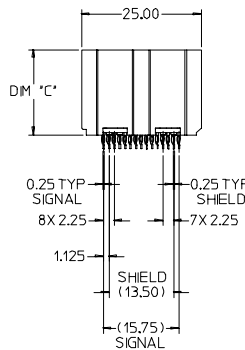
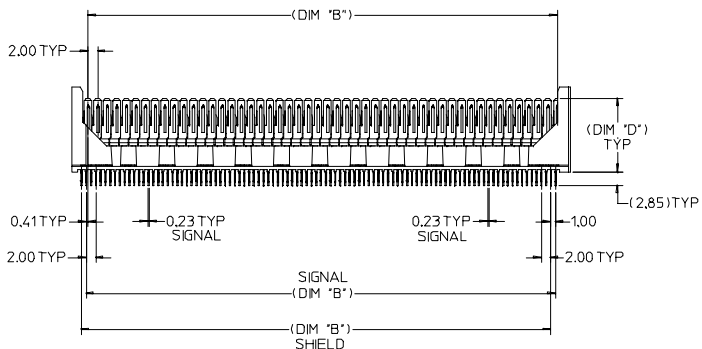
NOTES:

- MATERIALS:
RETAINER HOUSING/WAFER PLASTIC - LIQUID CRYSTAL POLYMER (LCP),
GLASS FILLED, UL94 V-0, COLOR: BLACK (30µin Au) OR GRAY (50µin Au)
TERMINALS - HIGH PERFORMANCE COPPER ALLOY
- FINISHES:
TERMINAL - SELECTIVE GOLD (Au) IN CONTACT AREA, 0.00076mm OR
0.00127mm MIN THICKNESS, SELECTIVE TIN/LEAD (Sn/Pb) OR MATTE TIN (Sn)
ON PCB TAILS,
NICKEL (Ni) UNDERPLATE OVERALL
- PRODUCT SPECIFICATION: PS-74031-999
- PACKAGING SPECIFICATION: PK-70873-0750
- MATES WITH VHDM 8-ROW BACKPLANE HEADER SERIES NO. 74060
- THESE PARTS CONFORM TO MOLEX COSMETIC SPECIFICATION PS-45499-002
CLASS B.

MATERIAL NUMBER ASSIGNMENT



* CONSULT FACTORY FOR AVAILABILITY



PCB LAYOUT: COMPONENT SIDE
RECOMMENDED PCB THICKNESS: 1.80 MM

* CONSULT FACTORY FOR AVAILABILITY

| MATERIAL NUMBER | NUMBER OF WAFERS | DIM 'A' | DIM 'B' | DIM 'C' | DIM 'D' | DIM 'H' STACK HEIGHT |
|-----------------|------------------|---------|---------|---------|---------|----------------------|
| *75117-228 | 25 | 54.05 | 48.00 | 27.74 | 25.36 | 28 |
| *75117-x128 | 10 | 24.05 | 18.00 | | | |
| *75117-x028 | 50 | 104.05 | 98.00 | | | |
| 75117-x218 | 25 | 54.05 | 48.00 | 17.74 | 15.36 | 18 |
| 75117-x118 | 10 | 24.05 | 18.00 | | | |
| 75117-x018 | 50 | 104.05 | 98.00 | | | |

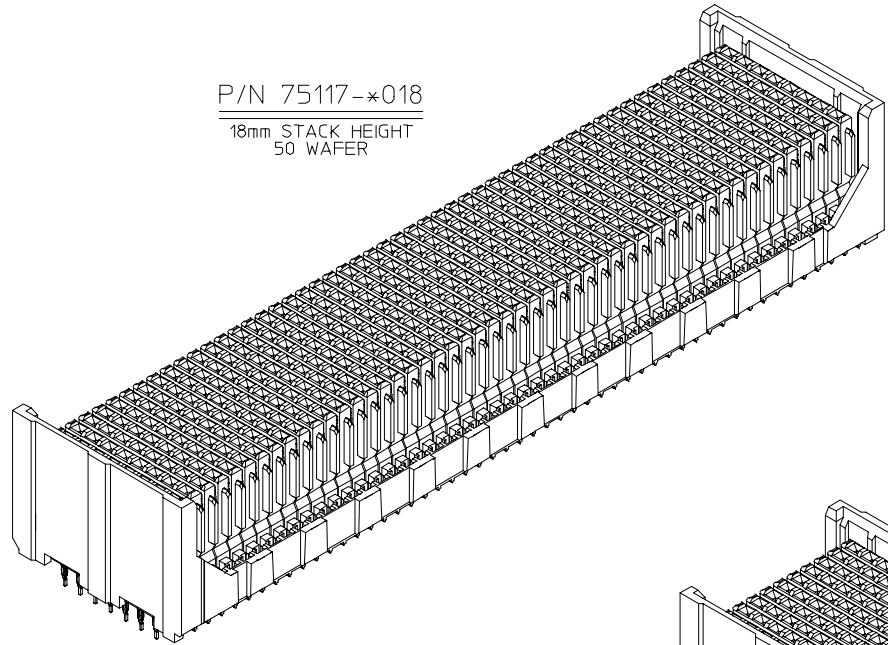
| QUALITY SYMBOLS | GENERAL TOLERANCES (UNLESS SPECIFIED) | SCALE | | DESIGN UNITS | | THIRD ANGLE PROJECTION | REVISE ON CAD ONLY | |
|-----------------|--|-------|--------|--------------------------------------|--|---|---------------------------|--|
| | | 2:1 | METRIC | TITLE | | | | |
| 0 | 4 PLACES ± --- ± --- | mm | INCH | DIMENSION STYLE | | VHDM 8-ROW DAUGHTERCARD STACKER CONNECTOR SALES DRAWING | MOLEX INCORPORATED | |
| 0 | 3 PLACES ± --- ± --- | | | MM ONLY | | | MATERIAL NO. SD-75117-001 | |
| | 2 PLACES ± 0.05 ± --- | | | DRAWN BY SREED DATE 2003/02/27 | | DOCUMENT NO. 1 OF 2 | | |
| | 1 PLACE ± 0.10 ± --- | | | CHECKED BY JTBINGHAM DATE 2003/02/27 | | SHEET NO. 1 OF 2 | | |
| | ANGULAR ± 2 ° | | | APPROVED BY CBIXLER DATE 2003/02/27 | | THIS DRAWING CONTAINS INFORMATION THAT IS PROPRIETARY TO MOLEX INCORPORATED AND SHOULD NOT BE USED WITHOUT WRITTEN PERMISSION | | |
| | DRAFT WHERE APPLICABLE MUST REMAIN WITHIN DIMENSIONS | | | | | | | |

19 18 17 16 15 14 13 12 11 10 9 8 7 6 5 4 3 2 1

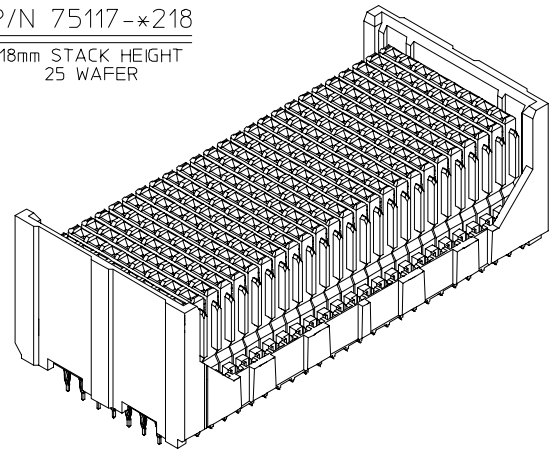
20 19 18 17 16 15 14 13 12 11 10 9 8 7 6 5 4 3 2 1

L
K
J
I
H
G
F
E
D
C
B
A

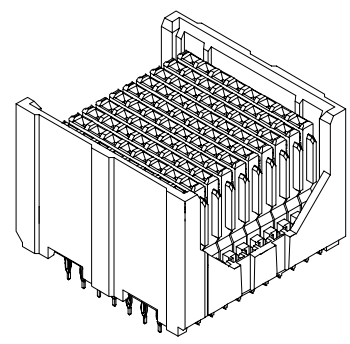
L
K
J
I
H
G
F
E
D
C
B
A



P/N 75117-*018
18mm STACK HEIGHT
50 WAFER



P/N 75117-*218
18mm STACK HEIGHT
25 WAFER



P/N 75117-*118
18mm STACK HEIGHT
10 WAFER

| | | | | | | |
|---|-----------------|--|---|-------------------------------------|---|--------------------|
| SEE SHEET 1 EC NO: UCP2008-067 DRW:MSANDER007/07/25 CHKD:JBINGHAM 2007/07/25 APPR:JBINGHAM 2007/07/25 | QUALITY SYMBOLS | GENERAL TOLERANCES (UNLESS SPECIFIED) | SCALE 4:1 | DESIGN UNITS METRIC | THIRD ANGLE PROJECTION | REVISE ON CAD ONLY |
| | ▽.0 | mm INCH | 4 PLACES ±.000 ±.000 | DIMENSION STYLE MM ONLY | TITLE VHDM 8-ROW DAUGHTERCARD STACKER CONNECTOR SALES DRAWING | |
| | ▽.05 | 3 PLACES ±.005 ±.005 | 2 PLACES ±0.05 ±.005 | DRAWN BY SREED DATE 2003/02/27 | MATERIAL NO. SEE CHART | |
| | ▽.10 | 2 PLACES ±0.10 ±.010 | 1 PLACE ±0.10 ±.010 | CHECKED BY JBINGHAM DATE 2003/02/27 | DOCUMENT NO. SD-75117-001 | |
| | | ANGULAR ± 2 ° | APPROVED BY CBIXLER DATE 2003/02/27 | SHEET NO. 2 OF 2 | | |
| | | DRAFT WHERE APPLICABLE MUST REMAIN WITHIN DIMENSIONS | THIS DRAWING CONTAINS INFORMATION THAT IS PROPRIETARY TO MOLEX INCORPORATED AND SHOULD NOT BE USED WITHOUT WRITTEN PERMISSION | | | |

19 18 17 16 15 14 13 12 11 10 9 8 7 6 5 4 3 2 1