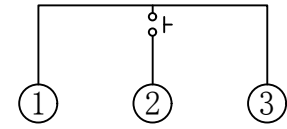
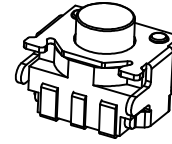
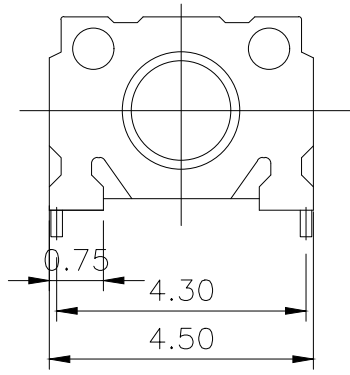
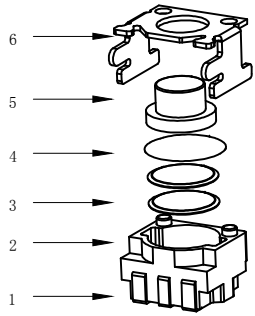


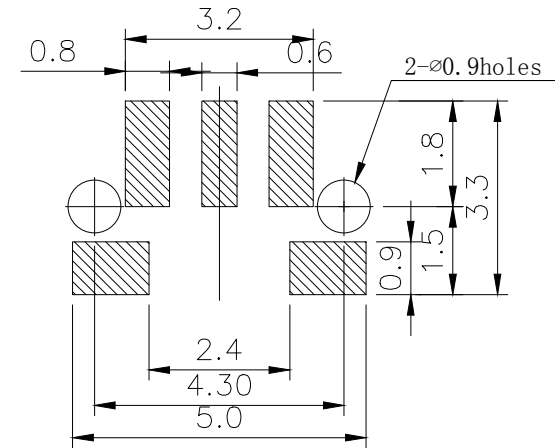
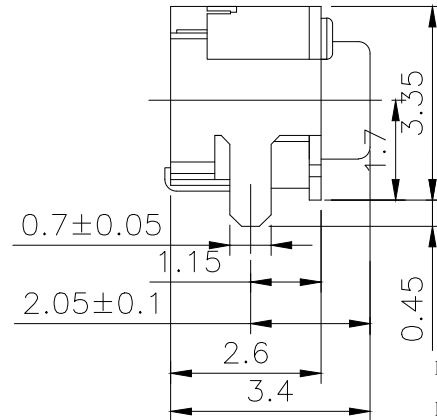
RoHS

CAD GENERATED DRAWING. DON'T CHANGE BY HAND.

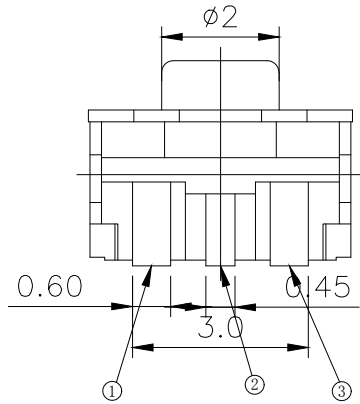
REV.	ECN. NO.	APPD.



CIRCUIT DIAGRAM



PCB. WELDING DRAWING



Specification

Rate voltage,current	50mA DC12V
Contact resistance	≤100mΩ
Operating force	160±50gf
Travel	0.20±0.10mm
Insulated resistance	≥100MΩ
Dielectric strength	≥250VAC/1min
Life cycle	≥100000次

ITEM	PART NAME	Q' TY	MATERIAL	FINSH/COLOR
6	Cover	1	Phosphor copper	Silver
5	Dust film	1	Polyimide	Orange
4	Button	1	LCP	Maize
3	Shrapnel	2	Stainless steel	Silver
2	Housing	1	PPA	Black
1	Cards	1	Phosphor copper	Silver

X.	±0.50	X.°	±2°
.X	±0.30	.X°	±1°
.XX	±0.10	.XX°	±0.5°
.XXX	±0.05		

UNITS	mm
MAT'L	/
FINISH	/
Q' TY	/

yi YUAN	深圳市怡远科技有限公司 SHENZHEN YIYUAN TECHNOLOGY CO.,LTD
PART NO.	YTS-A020-1
APPD:	ROGER
CHKD:	ROC
DR:	BILLY WANG 2020/08/21

TITLE:		TACTILE SWITCH		
DWG NO.:		YTS-A020-1		
SCALE	SHEET	REV.		
1/1	1/1	A1		