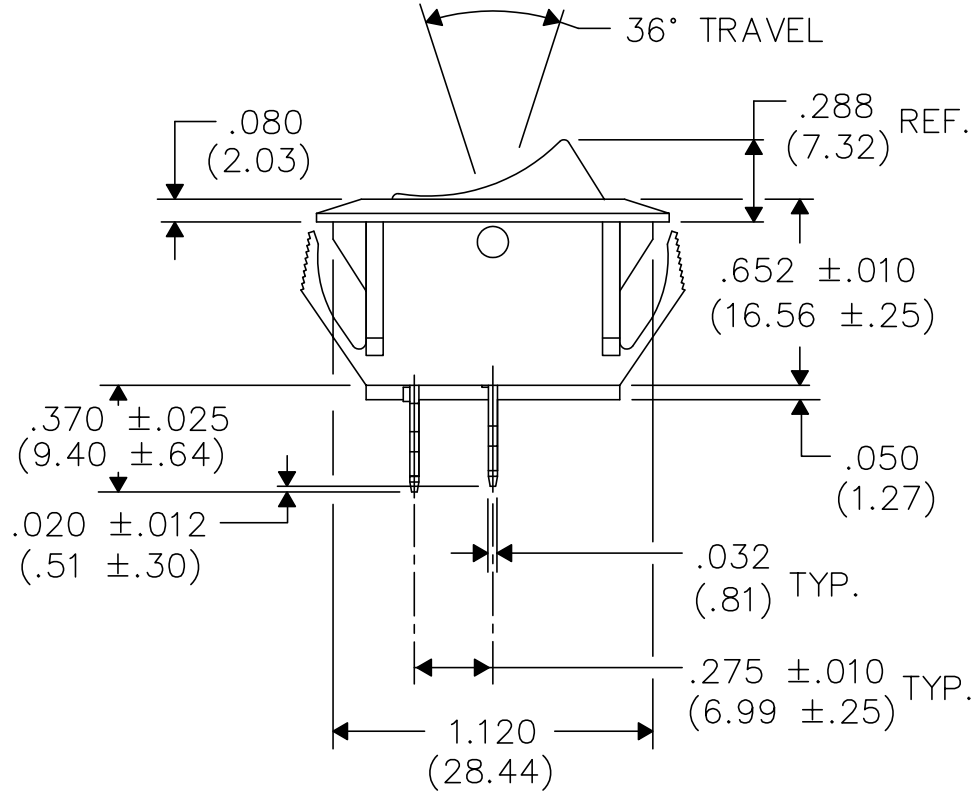
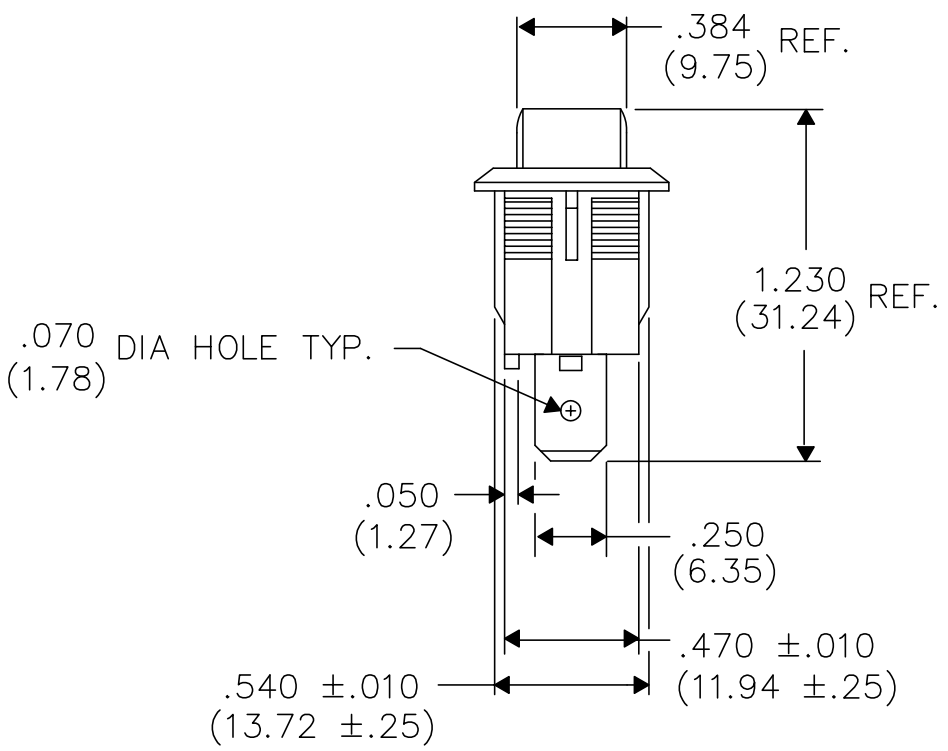
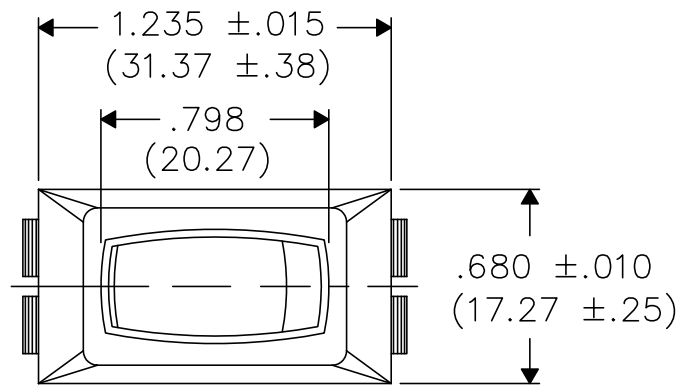
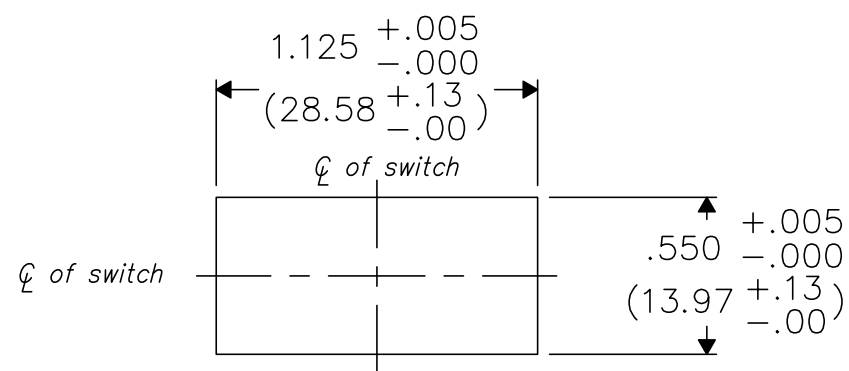


PANEL PIERCING



FORM-B4

REVISIONS

0

RELEASED.
DGW 3-21-2002

CW INDUSTRIES
Southampton, Pa. 18966

TOLERANCES UNLESS OTHERWISE SPECIFIED

2 Place Decimal \pm .010	METRIC
3 Place Decimal \pm .005	1 Place Dec. \pm .25mm
Angles \pm 1°	2 Place Dec. \pm .13mm

Made for: CW IND.
Drawn by: DGW 3-21-2002
Checked by: GG 3-27-02
Approval: bf 4-01-02

Title: ASSEMBLY DRAWING
S.P.S.T. ROCKER SWITCH
NON-POLARIZED
1.125"X .550" PANEL

Division: SWITCH
Dwg. No. GRS-2011-2600

PDF File Made