

CMSH1-40HE CMSH1-100HE
 CMSH1-60HE CMSH1-150HE
 CMSH1-80HE CMSH1-200HE

**SURFACE MOUNT
 SILICON SCHOTTKY RECTIFIER
 1 AMP, 40 THRU 200 VOLTS**



www.centrasemi.com

DESCRIPTION:

The CENTRAL SEMICONDUCTOR CMSH1-40HE Series 1.0 Amp Surface Mount Silicon Schottky Rectifier is a high quality, high efficiency component designed for use in all types of commercial, industrial, entertainment, computer, and automotive applications.

MARKING CODE: SEE MARKING CODE TABLE ON FOLLOWING PAGE



SMA CASE

FEATURES:

- High reliability
- High efficiency Schottky rectifier
- 40V to 200V range
- Low leakage current
- Low V_F
- "C" bend construction provides strain relief when mounted on pc board

MAXIMUM RATINGS: ($T_A=25^\circ\text{C}$ unless otherwise noted)

	SYMBOL	CMSH1						UNITS
		-40HE	-60HE	-80HE	-100HE	-150HE	-200HE	
Peak Repetitive Reverse Voltage	V_{RRM}	40	60	80	100	150	200	V
DC Blocking Voltage	V_R	40	60	80	100	150	200	V
RMS Reverse Voltage	$V_R(\text{RMS})$	28	42	56	70	105	140	V
Average Forward Current	I_O	1.0						A
Peak Forward Surge Current, $t_p=8.3\text{ms}$	I_{FSM}	30						A
Operating and Storage Junction Temperature	T_J, T_{stg}	-65 to +150						$^\circ\text{C}$
Thermal Resistance	θ_{JL}	30						$^\circ\text{C/W}$

ELECTRICAL CHARACTERISTICS: ($T_A=25^\circ\text{C}$ unless otherwise noted)

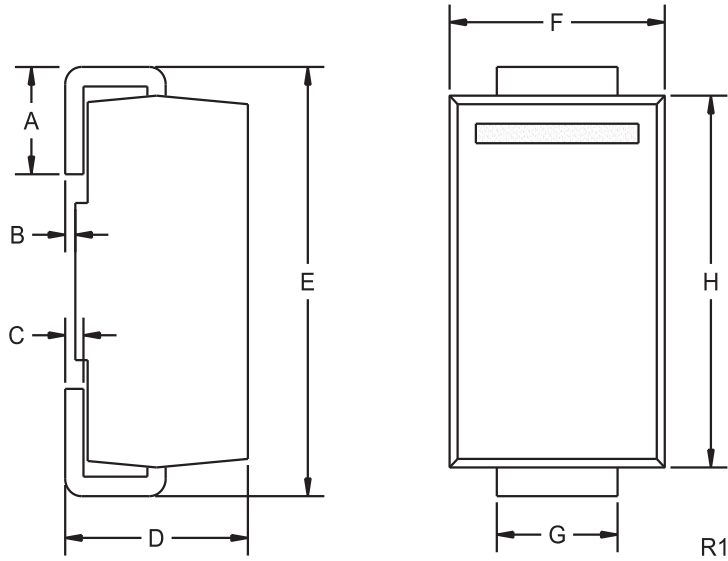
SYMBOL	TEST CONDITIONS	MAX	UNITS
I_R	$V_R=\text{Rated } V_{RRM}$	50	μA
I_R	$V_R=\text{Rated } V_{RRM}, T_A=100^\circ\text{C}$	20	mA
V_F	$I_F=1.0\text{A (CMSH1-40HE)}$	0.70	V
V_F	$I_F=1.0\text{A (CMSH1-60HE)}$	0.74	V
V_F	$I_F=1.0\text{A (CMSH1-80HE, -100HE)}$	0.80	V
V_F	$I_F=1.0\text{A (CMSH1-150HE, -200HE)}$	0.90	V

CMSH1-40HE CMSH1-100HE
 CMSH1-60HE CMSH1-150HE
 CMSH1-80HE CMSH1-200HE



**SURFACE MOUNT
 SILICON SCHOTTKY RECTIFIER
 1 AMP, 40 THRU 200 VOLTS**

SMA CASE - MECHANICAL OUTLINE



DEVICE	MARKING CODE
CMSH1-40HE	CS40HE
CMSH1-60HE	CS60HE
CMSH1-80HE	CS80HE
CMSH1-100HE	CS100HE
CMSH1-150HE	CS150HE
CMSH1-200HE	CS200HE

SYMBOL	DIMENSIONS			
	INCHES		MILLIMETERS	
	MIN	MAX	MIN	MAX
A	0.030	0.060	0.76	1.52
B	0.004	0.008	0.10	0.20
C	0.006	0.012	0.15	0.30
D	0.078	0.103	1.98	2.62
E	0.188	0.220	4.78	5.59
F	0.090	0.115	2.29	2.92
G	0.050	0.070	1.27	1.78
H	0.157	0.181	3.99	4.60

SMA (REV: R1)

R1 (10-June 2011)