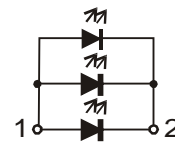
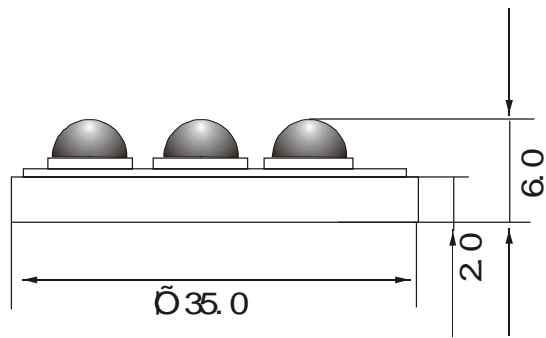
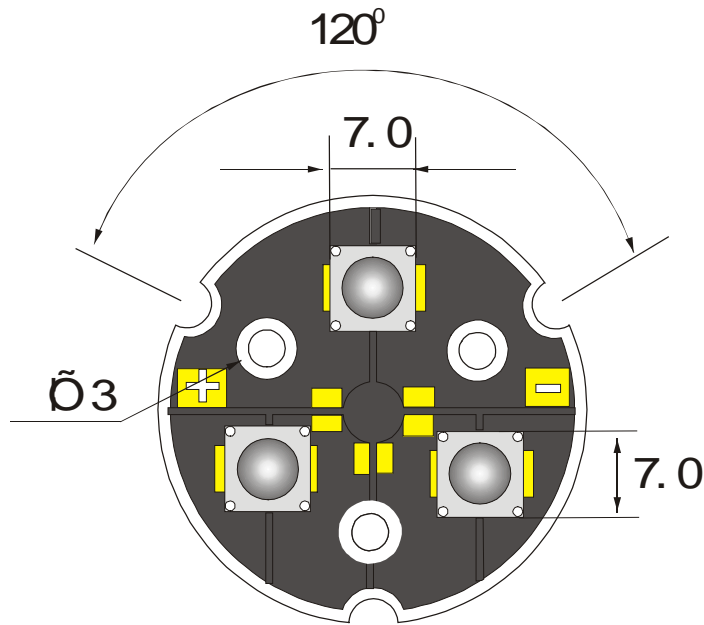
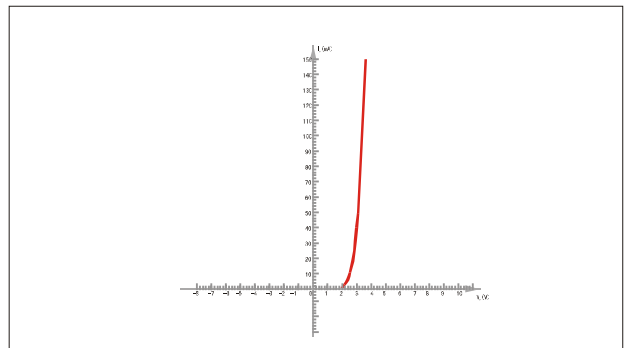
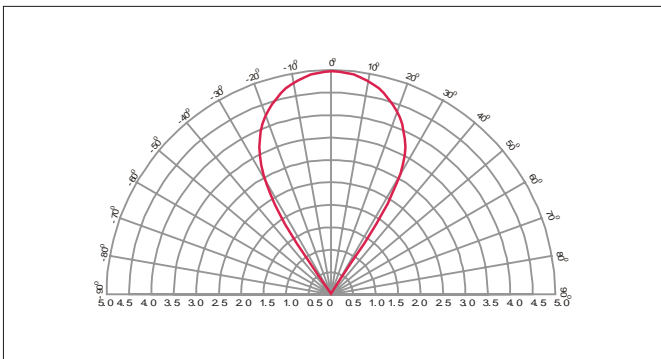


SERIES 35L3HX-60

HIGH POWER LED



PACKAGE DIMENSIONS (UNIT: mm)

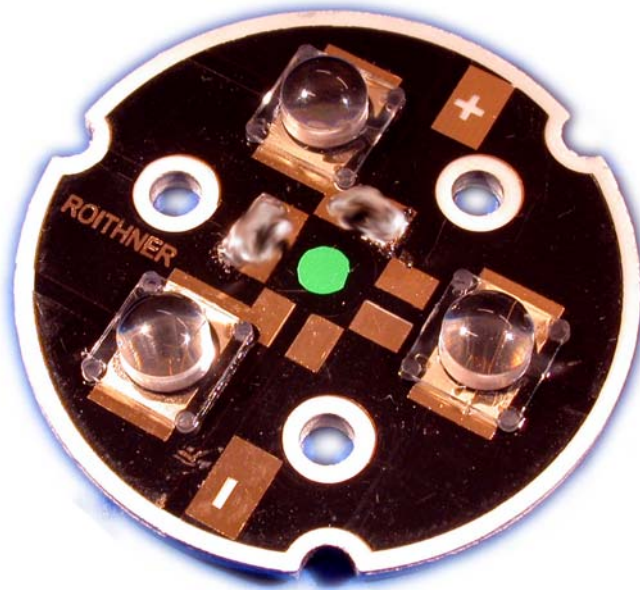


Electro-Optical Characteristics (Ta=25°C)

Specifications	Chip size	Emitting Color	Wave length	Forward Current	Forward Voltage	Luminous Intensity	Viewing angle
	(mil)		λ_D (nm)	I_F (mA)	V_F (V)	I_V (mcd)	2 θ 1/2
35L3-HB-60	40X40	Blue	460—470	1050	≤ 4.0	28000	60°
35L3-HW-60	40X40	White	—	1050	≤ 4.0	20000	60°
35L3-HG-60	40X40	Green	520—530	1050	≤ 3.8	28000	60°
35L3-HR-60	40X40	Red	620—630	1050	≤ 2.8	20000	60°
35L3-HY-60	40X40	Yellow	585—595	1050	≤ 2.8	24000	60°
35L3-HRGB-60	40X40	RGB	—	3 x 350	—	24000	60°

Absolute maximum ratings (Ta=25°C)

Parameter	Symbol	Value	Unit
Reverse Voltage	V_{RM}	6.0	V
Reverse Current	I_R	≤ 150	μA
Power Dissipation	P_D	3000	mW
Working Temperature	T_{OPR}	-20 ... +50	°C
Soldering Temperature	T_{STG}	-40 ... +80	°C
Soldering Temperature	T_{SLD}	260°C (5s)	°C



ROITHNER LASERTECHNIK

A-1040 Vienna, Austria
 Schoenbrunner Strasse 7
 Tel.: +43-1-586 52 43 - 0
 Fax.: +43-1-586 52 43 44
 office@roithner-laser.com
 www.roithner-laser.com