

# Vatronics Technologies Limited

## 3323 6mm Square Single-Turn Trimmer Potentiometers

**Vatronics makes 3323P,3323S,3323U,3323W,3323S,3323V**

Electrical•Characteristics

Range•of•resistance  $10\Omega—2M\Omega$

Resistance•tolerance  $\pm 10\%$

Terminal•resistance  $1\%R$ •or• $\leq 2\Omega$

Contact•resistance•variation  $CRV \leq 3\%R$ •or• $3\Omega$

Insulation•resistance  $R_e \geq 1G\Omega$

Withstand voltage 500Vdc

Limit current of moving contact 30mA

Effective electrical travel 70% of total mechanical travel



**3323**

Vatronics Environmental•Characteristics

Rated•power (250Vmax) 0.5W•70••

Temperature•range  $-55—+125$ •

TCR  $\pm 100\text{ppm}/\text{°C}$ • $\pm 250\text{ppm}/\text{°C}$

Temperature•variation

$-55, 30\text{min}, +125, 30\text{min}$  5•cycles  $\Delta R \leq 3\%R$ • $\Delta(U_{ab}/U_{ac}) \leq 2\%$

Collision  $390\text{m/s}^2$ •4000•cycles  $\Delta R \leq 2\%R$

Vibration 10—500HZ•0.75mm, 6h  $\Delta R \leq 2\%R$ • $\Delta(U_{ab}/U_{ac}) \leq 3\%$

Climate•category

$\Delta R \leq 3\%R$ • $R_e \geq 100M\Omega$  Endurance•at•70•

0.5W•1000h  $\Delta R \leq 3\%R$ • $CRV \leq 3\%R$

Mechanical•endurance 200•cycles  $\Delta R \leq 3\%R$ • $CRV \leq 3\%R$

Vatronics

Steady•damp—heat  $\Delta R \leq 3\%R$ • $R_e \geq 100M\Omega$

Physical•Characteristics

Total•mechanical•travel  $250 \pm 10^\circ$

Starting•torque  $\leq 35\text{mN}\cdot\text{m}$

Mark

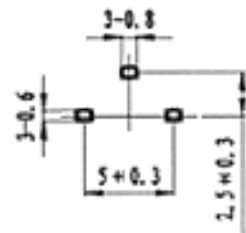
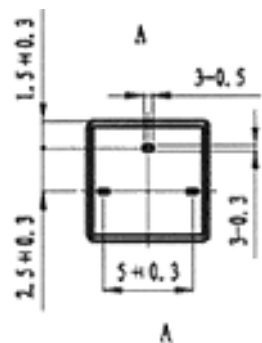
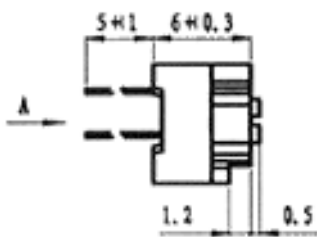
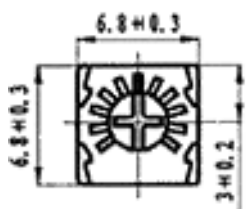
Resistance•code,•resistance•tolerance

( $\pm 10\%$ • no•indication),•lot•No

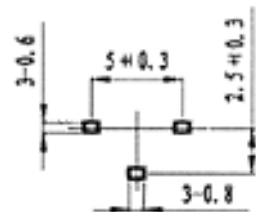
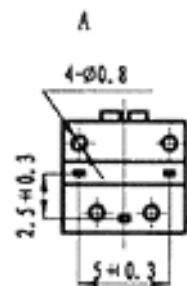
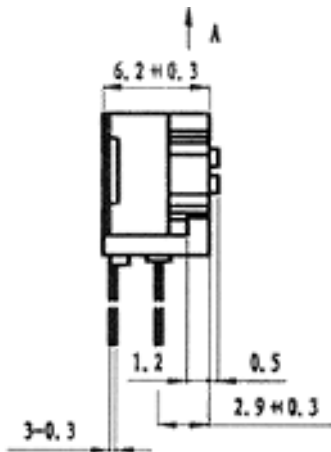
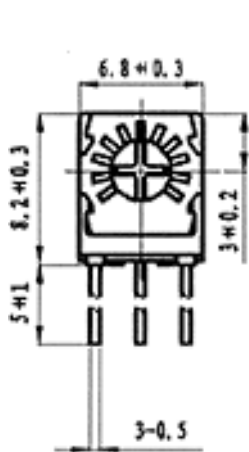
Standard•package 50pcs/tube

**Vatronics Technologies Limited**

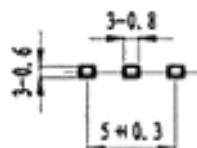
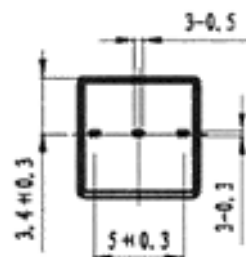
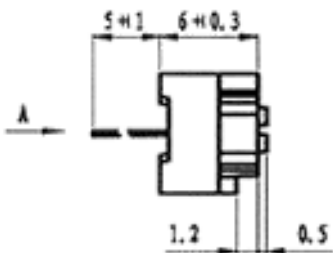
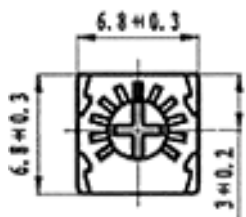
<http://www.vatronics.com> [sales@vatronics.com](mailto:sales@vatronics.com)



**Vatronics 3323P DRAWING**

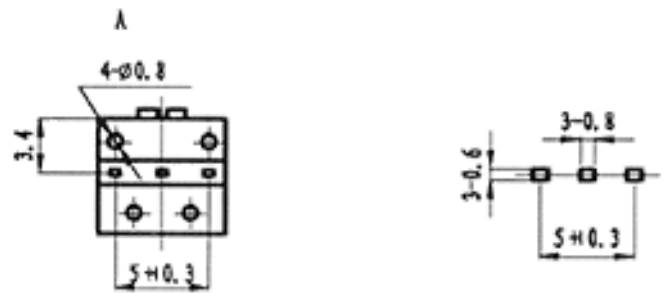
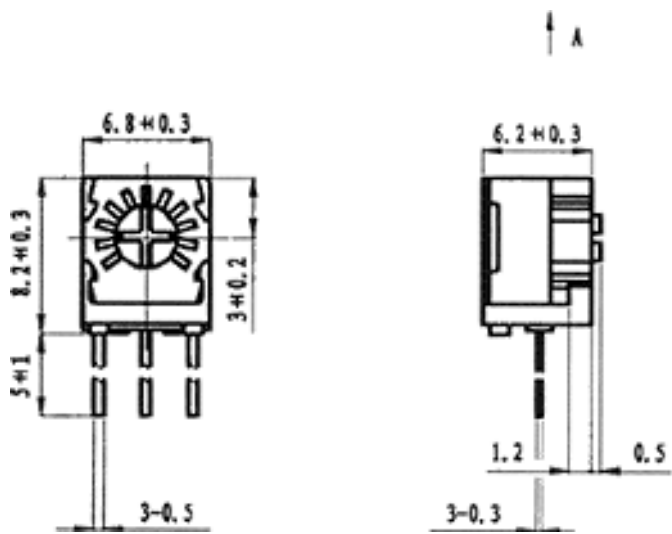


**Vatronics 3323S DRAWING**

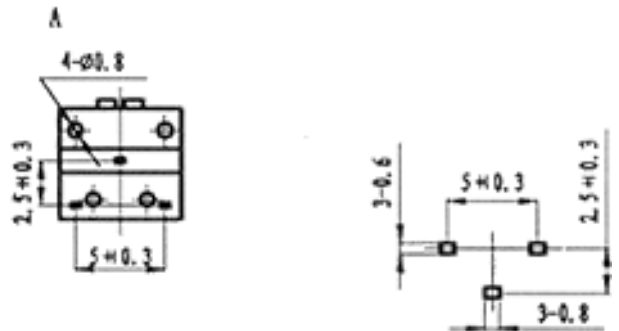
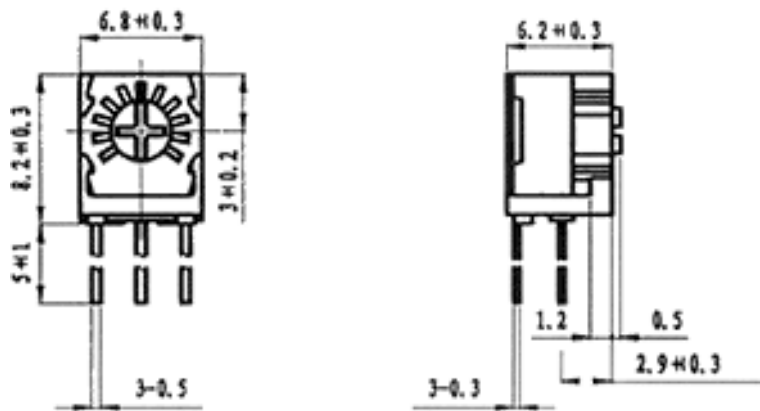


**Vatronics 3323U DRAWING**

*Vatronics Technologies Limited*  
<http://www.vatronics.com> [sales@vatronics.com](mailto:sales@vatronics.com)



**Vatronics 3323V DRAWING**



**Vatronics 3323W DRAWING**

**Vatronics Technologies Limited**  
<http://www.vatronics.com> [sales@vatronics.com](mailto:sales@vatronics.com)