

**PLEASE CHECK WWW.MOLEX.COM FOR LATEST PART INFORMATION**

**Part Number:** [0191180021](#)  
**Status:** **Active**  
**Description:** Krimptite™ Flanged Spade Tongue Terminal for 18-22 AWG Wire, Stud Size 6, Length 14.12mm (.556")

**Documents:**

[Drawing \(PDF\)](#) [RoHS Certificate of Compliance \(PDF\)](#)

**Agency Certification**

CSA LR18689  
 UL E32244

**General**

Product Family Ring and Spade Terminals  
 Series [19118](#)  
 Crimp Quality Equipment Yes  
 Mil-Spec N/A  
 MolexKits Yes  
 Product Name Krimptite™  
 Type Spade

**Physical**

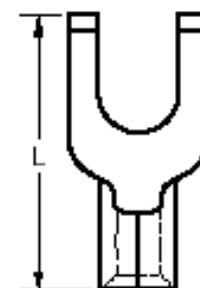
Barrel Type Closed  
 Insulation None  
 Material - Plating Mating Tin  
 Packaging Type Bag  
 Stud Size 6 (M3.5)  
 Wire Size AWG 18, 20, 22  
 Wire Size mm² 0.25 - 1.50

**Material Info**

Old Part Number AA-115-06

**Reference - Drawing Numbers**

Sales Drawing SD-19118-003



*Series  
image - Reference only*

**EU RoHS**

**ELV and RoHS  
Compliant**  
**REACH SVHC  
Contains SVHC: No**  
**Halogen-Free  
Status**

**China RoHS**



**Need more information on product  
environmental compliance?**

Email [productcompliance@molex.com](mailto:productcompliance@molex.com)  
 For a multiple part number RoHS Certificate of Compliance, [click here](#)

Please visit the [Contact Us](#) section for any non-product compliance questions.

**Search Parts in this Series**

[19118Series](#)

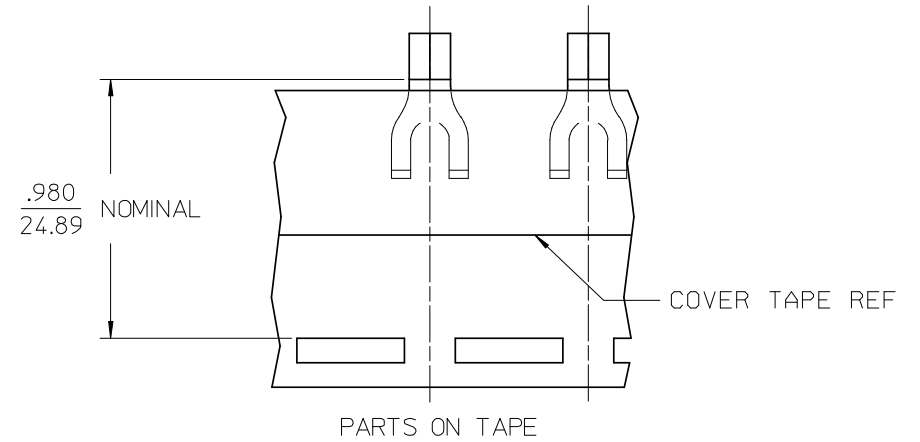
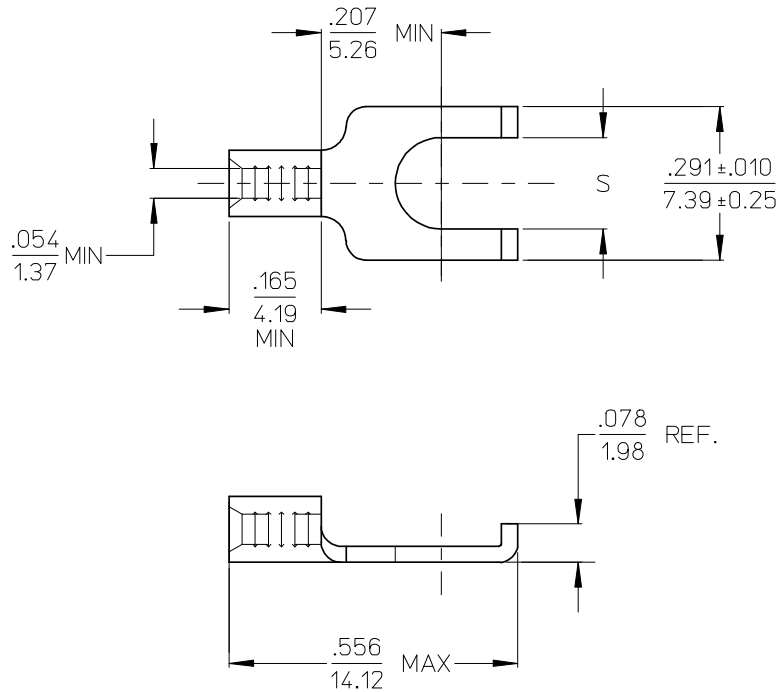
**Application Tooling | [FAQ](#)**

*Tooling specifications and manuals are found by selecting the products below. Crimp Height Specifications are then contained in the Application Tooling Specification document.*

**Global**

Description	Product #
Hand Crimp Tool	<a href="#">0640030100</a>
Crimp Head for the AT-200™ Pneumatic Hand Tool	<a href="#">0640070100</a>

LOOSE PIECE		TAPE MOUNTED			
MATERIAL NUMBER	ENGINEERING NUMBER	MATERIAL NUMBER	ENGINEERING NUMBER	STUD SIZE	S ±.005
191180021	AA-115-06	191180022	AA-115-06T	6	.146/3.71
191180023	AA-115-08	191180024	AA-115-08T	8	.173/4.39
191180025	AA-115-10	191180099	AA-115-10T	10	.198/5.03



SALES DRAWING

- NOTES:  
 1. MATERIAL: COPPER .031/0.78 THICK, REF.  
 2. PLATING: ELECTRO-TIN  
 3. PART IS RoHS COMPLIANT

ADD NOTE 3, REV DIMS EC NO: ETC2008-0012 DRWN: RSTONE 2007/11/26 CHKD: JMACNEIL 2007/11/26 APPR: JMACNEIL 2007/12/05	QUALITY SYMBOLS ▽=0 ▽=0	GENERAL TOLERANCES (UNLESS SPECIFIED)		DIMENSION STYLE	SCALE	DESIGN UNITS	THIRD ANGLE PROJECTION	
			mm	INCH	IN/MM	4:1	INCH	
		4 PLACES	±---	±---	DRAWN BY	DATE	TITLE	
		3 PLACES	±---	±.005	JJ	1984/10/17	FLANGED SPADE TONGUE TERMINAL KRIMPTITE 100-SERIES	
2 PLACES	±0.13	±.01	CHECKED BY	DATE	MATERIAL NO.			
1 PLACE	±0.25	±---	GZ	1984/10/18	DOCUMENT NO.			
ANGULAR ±---°		APPROVED BY		DATE	SHEET NO.			
		GZ		1984/10/18	1 OF 1			
DRAFT WHERE APPLICABLE MUST REMAIN WITHIN DIMENSIONS		SEE CHART		MOLEX INCORPORATED				
		SIZE B		THIS DRAWING CONTAINS INFORMATION THAT IS PROPRIETARY TO MOLEX INCORPORATED AND SHOULD NOT BE USED WITHOUT WRITTEN PERMISSION				