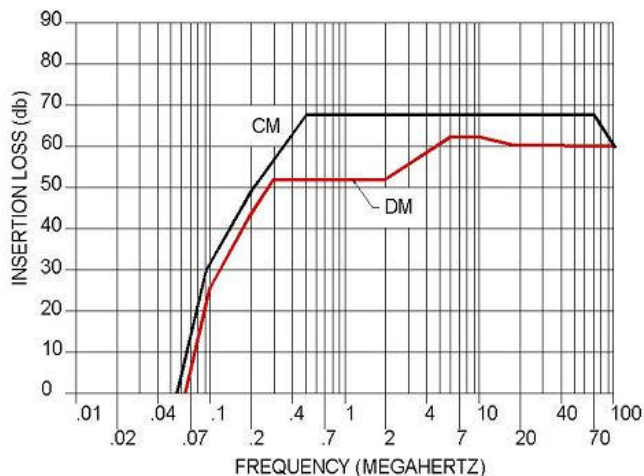
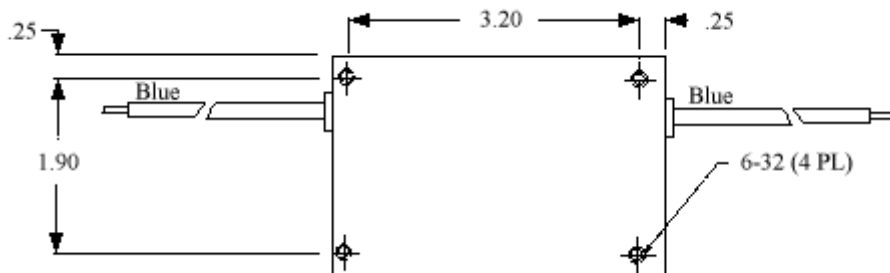
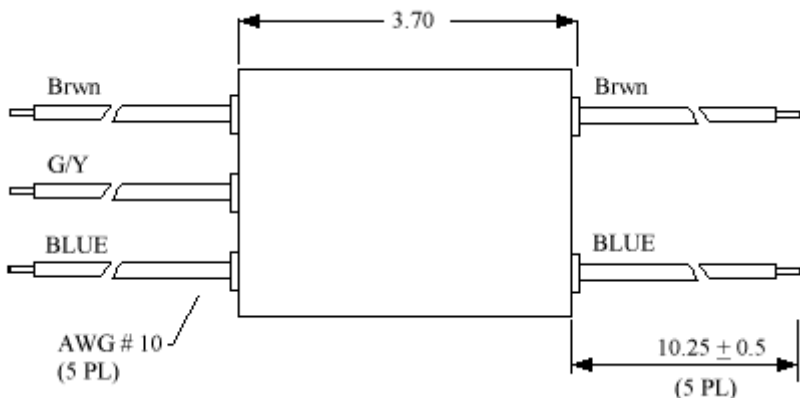
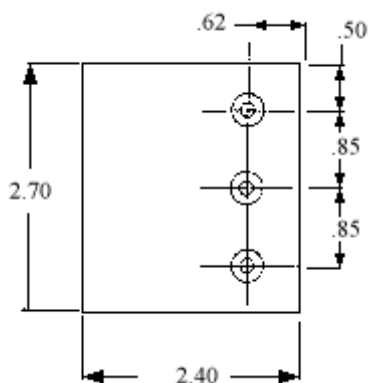
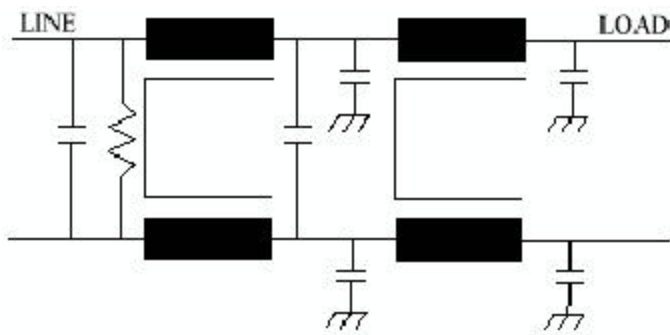




1182 SERIES

Operating Voltage= 115/250 Vac
 Operating Current Max= 20, 30amp
 Operating Frequency= 50-60Hz
 Temperature Range= -10 to 50 deg. C
 Die Withstand (Ph to Case)= 1500V~ for 1 Min
 Die Withstand (Ph to Ph)= 1500Vdc for 1 min
 Leakage Current = 2.1 mA @ 250 VAC, 50Hz
 Discharge after 1.0 sec.= 34V Max
 Agency Approvals = UL, CSA
 P/N 20 amps FF-1182-20
 P/N 30 amps FF-1182-30



The 1182 series is a compact, economical filter with a lot of performance packed into a small package.

This filter is ideal for use with power distribution units, systems using switching power supplies