

TACT SWITCH

Operation: SMT/中大型立式 防水 轻触开关 [柄长/操作力可定制]



LTEM NO.: TS-1180S-□□ (Series)

(L8.0mm×W8.0mm TACT-SWITCH)

表面貼裝 SMT

正向操作

精密部品 NICETY

可靠 STABILIZE

適合環保 RoHS

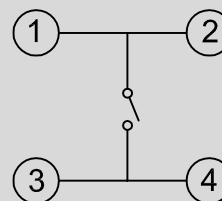


Technical parameter

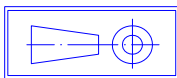
LEVEL		A[better product]	B[average product]
PROJECT			
	Contact Rating	25mA, 24V DC	
Electrical	Initial Contact Resistance	50mΩ max.	
Properties	Insulation Resistance	100MΩ min.500V DC	Skey/PD: 100MΩ min.300V DC
	Withstand Voltage	300V AC for 1 minute	250 V AC for 1 minut
Durable Performance	There No Load	100,000 Cycles	75,000 Cycles
	Rated Load	80,000 Cycles	50,000 Cycles
	Storage temp.	-35℃~+75℃(Operating Temp:)	
	Operating Force	2.6N. (1N.=100gram-force)	
	Heat Rrsistance	IR Reflow:255℃, 5sec. Manual :350℃, 3sec.	

Material declaration		
No.	NAME	Description
① A	按柄	PBT/ABS 塑料
② B	盖板	PA6T (Black)热塑性尼龙
③ C	缓层	硅胶片
④ D	贴纸	PI 聚酰亚胺
⑤ E	内柄	PA6T (Black)热塑性尼龙
⑥ F	簧片	镀银&不锈钢/SUS304
⑦ G	基座	PA6T (Black)热塑性尼龙
⑧ H	嵌件	镀银&H62 黄铜

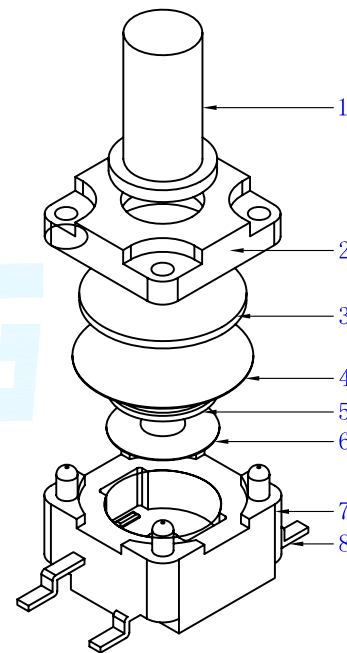
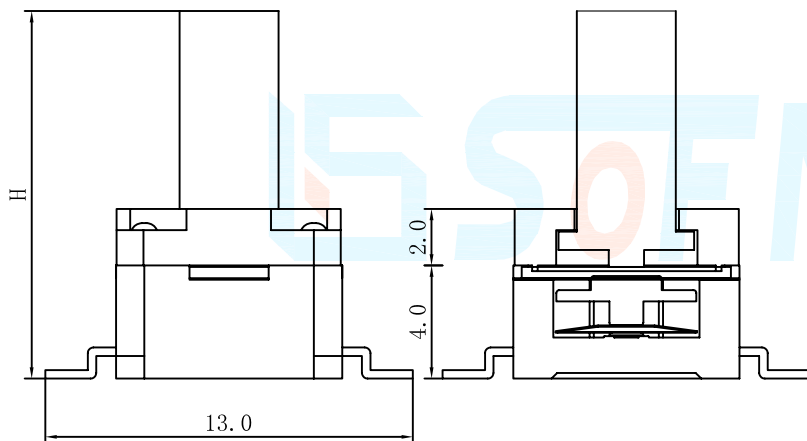
CIRCUIT DIAGRAM



Unit:mm



H
7.0
7.5
8.0
~
21.0



P.C.B LAYOUT

