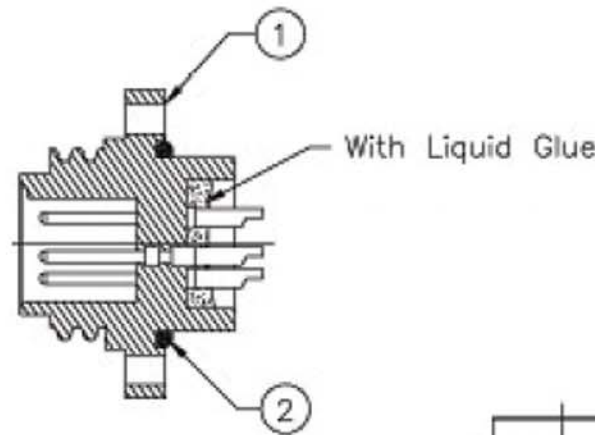
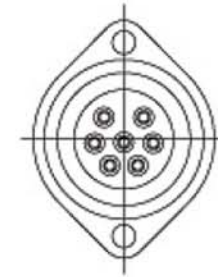
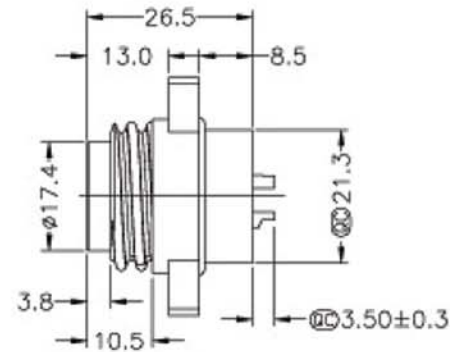
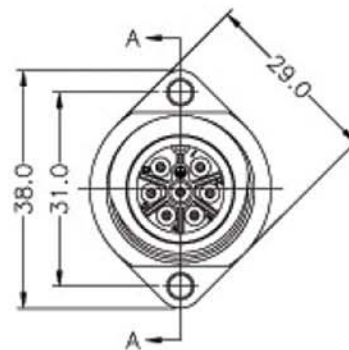
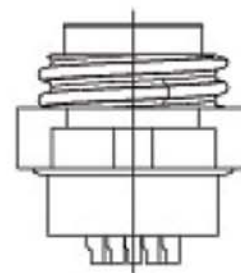


Recommended Panel Cut-Out



Section A-A



Pin Assignments  
Front View

**Notes:**

- Waterproof Rate: IP67
- Housing: Black ABS Plastic
- Connector: Black, Nylon+GF
- Pin: Copper Alloy, Gold Plated
- Contacts: Gold Plating
- Operating temperature: -40°C to +105°C



ITEM NO  
**A-P07PMMS-SC-WP-R**

TITLE  
Waterproof Power Connector 7 Pin (8A), Male, Panel Mount

**ASSMANN**  
Electronics, Inc.

1840 W. Drake Drive, Suite 101 - Tempe, AZ 85283  
Toll Free: 1-877-277-6266 Email: info@usa-assmann.com

THIS DRAWING IS UNPUBLISHED  
© Copyright 2008 by Assmann Electronic Components  
All International Rights Reserved