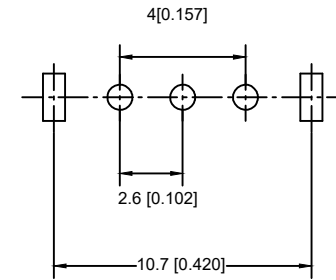
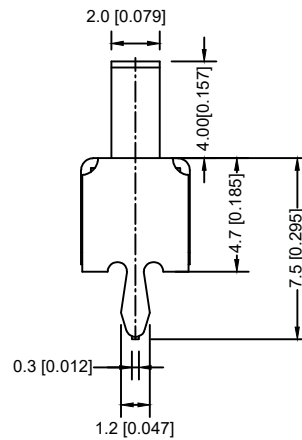
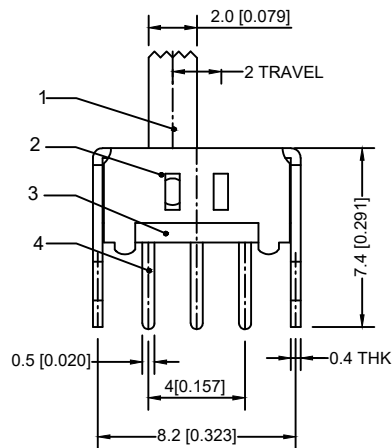


SCHEMATIC (NON-SHORTING)


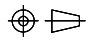


P.C.B LAYOUT  
BOTTOM VIEW



④	Terminal	—	3	Brass (0.30t)	ag Plated	—
③	Base	—	1	Phenolic Resin		—
②	Cover	—	1	Sus	Natural	—
①	Keystake	—	1	Pa66	Black	—
<b>ITEM</b>	<b>PAPT NAME</b>	<b>TER,NO</b>	<b>QTY</b>	<b>MATERIAL</b>	<b>FINISHING</b>	<b>REMARK</b>

RATING	0.3A 50V DC
CIRCUIT	1P2T
CONTACT RESISTANCE	100mΩ MAX
TRAVEL	2mm
OPERATING FORCE	250±100gf
OPERATING LIFE(CYCLES)	10,000

A4					COMMON TOLERANCE X.XX ± 0.10 X.X ± 0.15 X ± 0.25 ANGULAR —	UNIT	MM	PROJECTED		PRODUCT NAME:	
A3						DRAWN BY	FUYUAN	CHECKED BY	COCO	MODEL NO: SS-12D07-4	
A2						DATE	2019	APPROVAL B	ALEN	Https: www.rocpcu.tw	
A1						<b>ROCPCU TECHNOLOGY CO.,LTD</b>					
REV	DATE	REVISION DESCRIPTION	ISSUE			Copies are issued in strict confidence and shall not be reproduced or copied, or used as the basic of manufacture or sale of apparatus without permission					