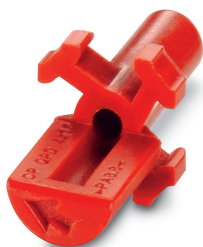


Coding profile - CP-QPD 3/4X1,5 - 1414729


Please be informed that the data shown in this PDF Document is generated from our Online Catalog. Please find the complete data in the user's documentation. Our General Terms of Use for Downloads are valid (<http://phoenixcontact.com/download>)



Coding profile red, for pushing into the QUICKON dome and connector, can be positioned in 90° steps.



Key Commercial Data

| | |
|------------------------|---|
| Packing unit | 10 pc |
| Minimum order quantity | 10 pc |
| GTIN |  4 055626 033198 |
| GTIN | 4055626033198 |

Technical data

General

| | |
|-------|-----|
| Color | red |
|-------|-----|

Ambient conditions

| | |
|---|-------------------|
| Ambient temperature (operation) | -40 °C ... 100 °C |
| Ambient temperature (storage/transport) | -40 °C ... 100 °C |

Material data

| | |
|--|----|
| Flammability rating according to UL 94 | V0 |
|--|----|

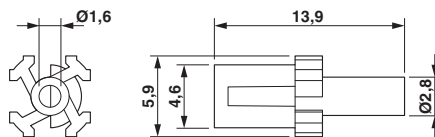
Environmental Product Compliance

| | |
|------------|---|
| China RoHS | Environmentally friendly use period: unlimited = EFUP-e |
| | No hazardous substances above threshold values |

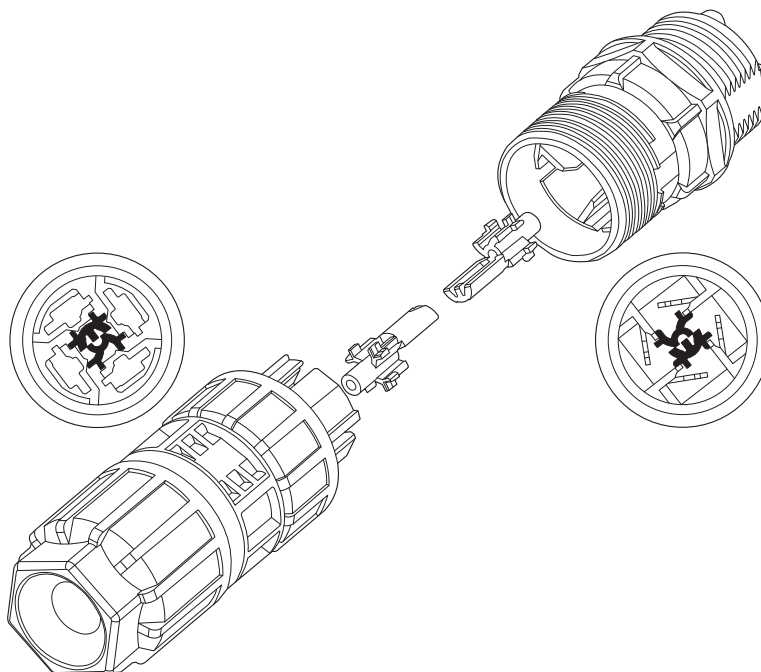
Drawings

Coding profile - CP-QPD 3/4X1,5 - 1414729

Dimensional drawing



Schematic diagram



Coding of the QUICKON plug-in connection

Classifications

eCl@ss

| | |
|---------------|----------|
| eCl@ss 10.0.1 | 27440203 |
| eCl@ss 11.0 | 27440203 |
| eCl@ss 4.0 | 27140800 |
| eCl@ss 4.1 | 27140800 |
| eCl@ss 5.0 | 27143400 |
| eCl@ss 5.1 | 27143400 |
| eCl@ss 6.0 | 27269200 |
| eCl@ss 7.0 | 27440203 |
| eCl@ss 9.0 | 27440203 |

ETIM

| | |
|----------|----------|
| ETIM 6.0 | EC002311 |
| ETIM 7.0 | EC002311 |

Coding profile - CP-QPD 3/4X1,5 - 1414729

Classifications

UNSPSC

| | |
|-------------|----------|
| UNSPSC 13.2 | 27112301 |
| UNSPSC 18.0 | 27112301 |
| UNSPSC 19.0 | 27112301 |
| UNSPSC 20.0 | 27112301 |
| UNSPSC 21.0 | 27112301 |

Phoenix Contact 2021 © - all rights reserved
<http://www.phoenixcontact.com>

PHOENIX CONTACT GmbH & Co. KG
Flachsmarktstr. 8
32825 Blomberg
Germany
Tel. +49 5235 300
Fax +49 5235 3 41200
<http://www.phoenixcontact.com>