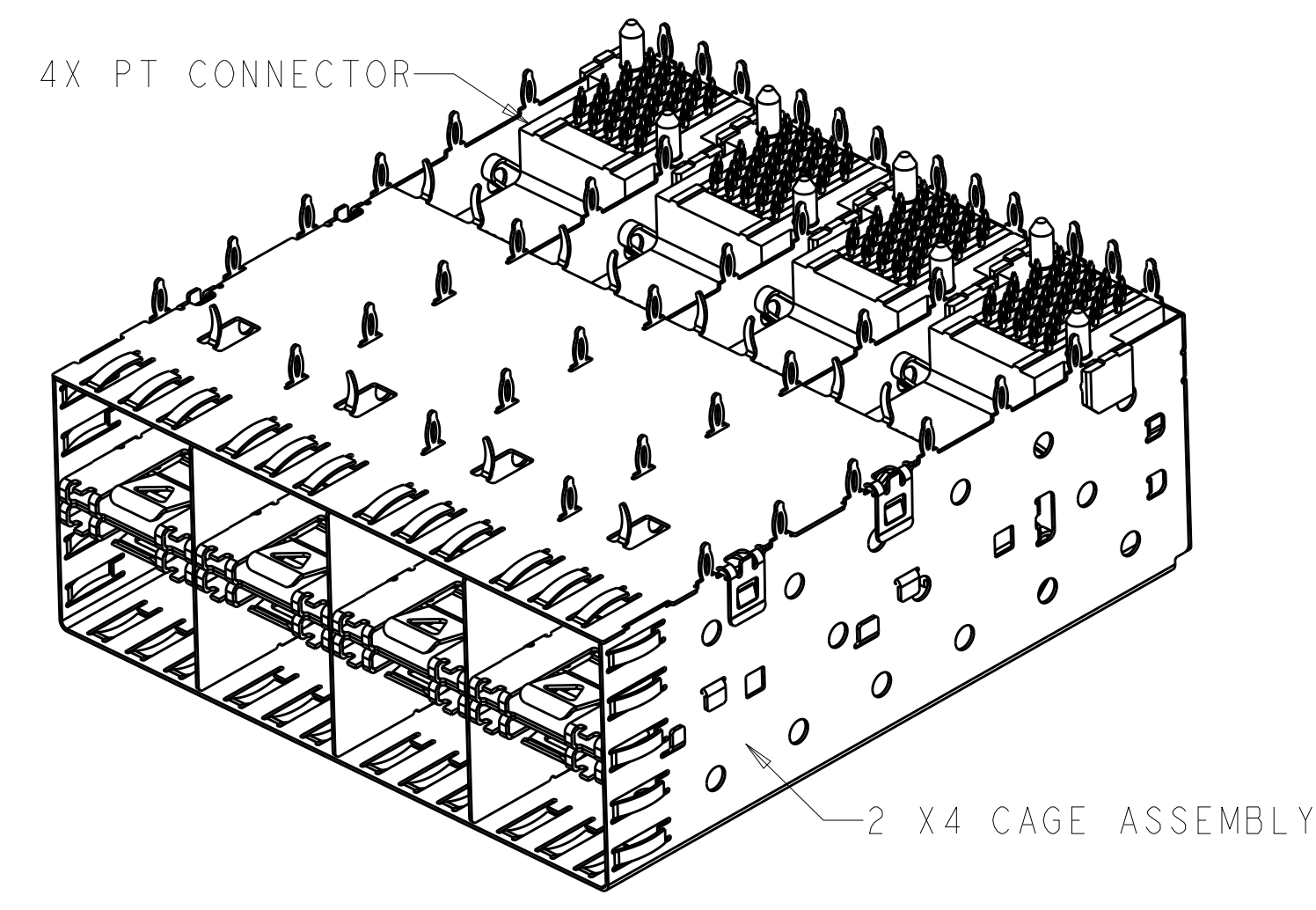
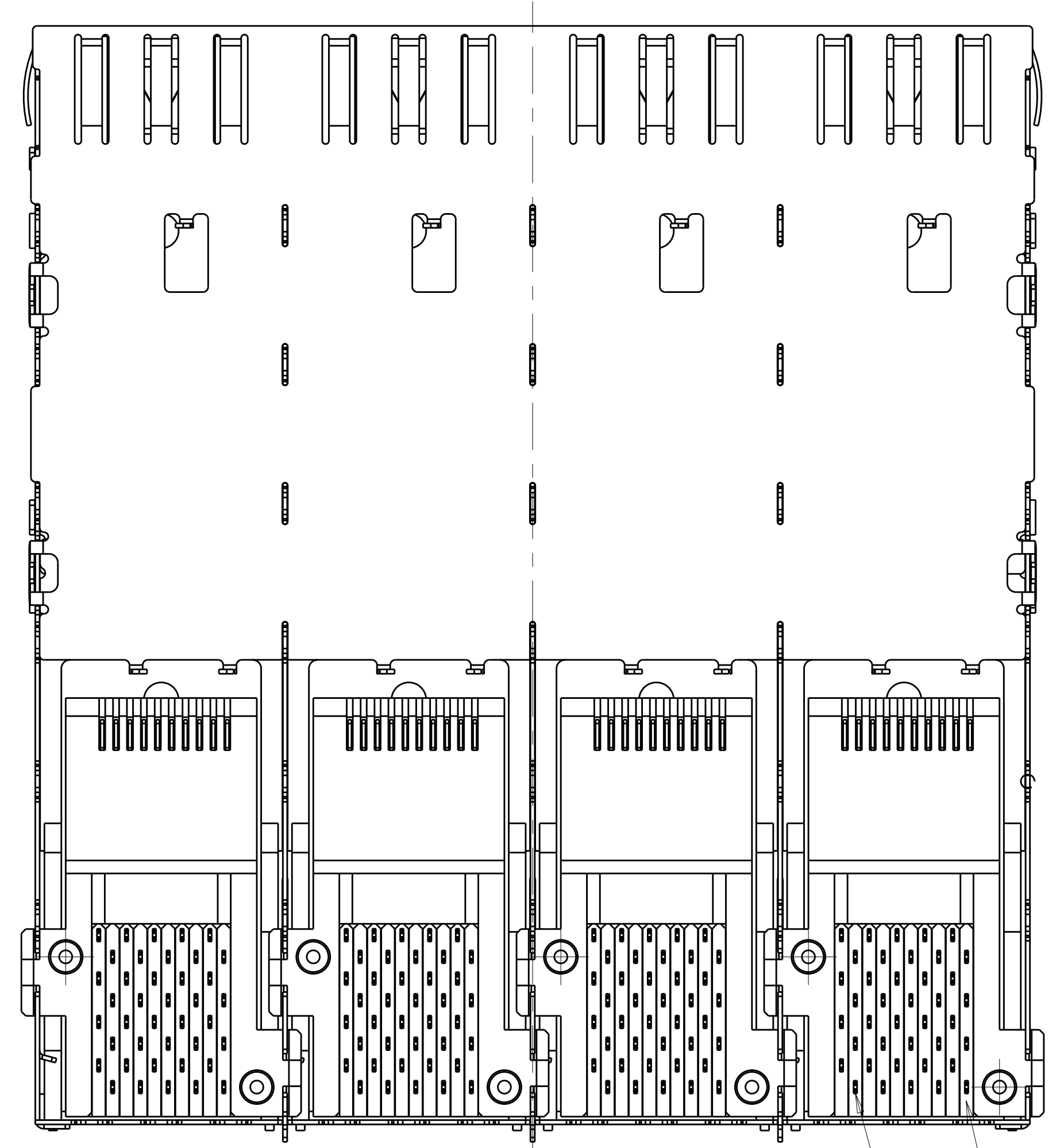
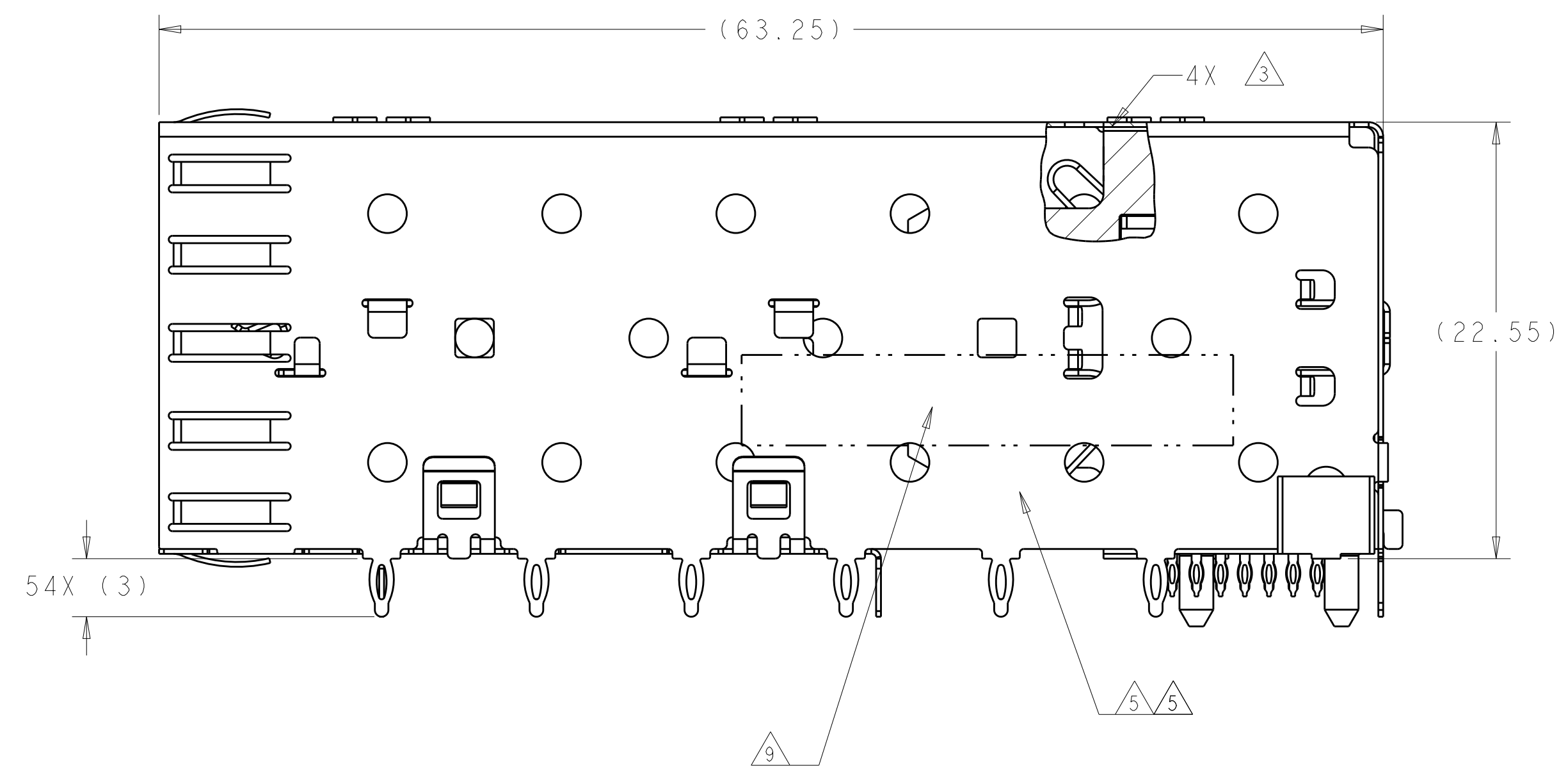
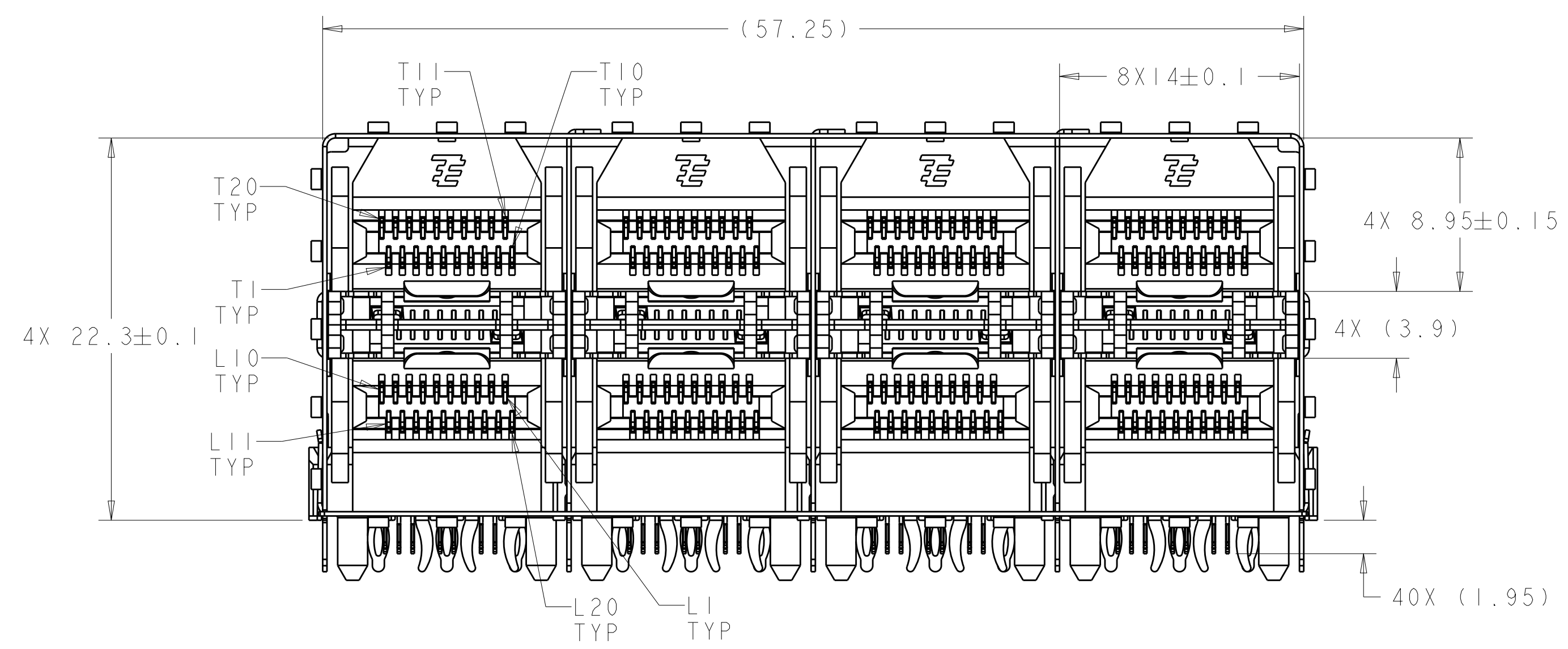


LOC	DIST	REVISIONS			
P	LTN	DESCRIPTION	DATE	DWN	APVD
A		RELEASE	06NOV2012	JY	AC
B		REVISED PER ECO-14-000886	20FEB2014	JW	SH



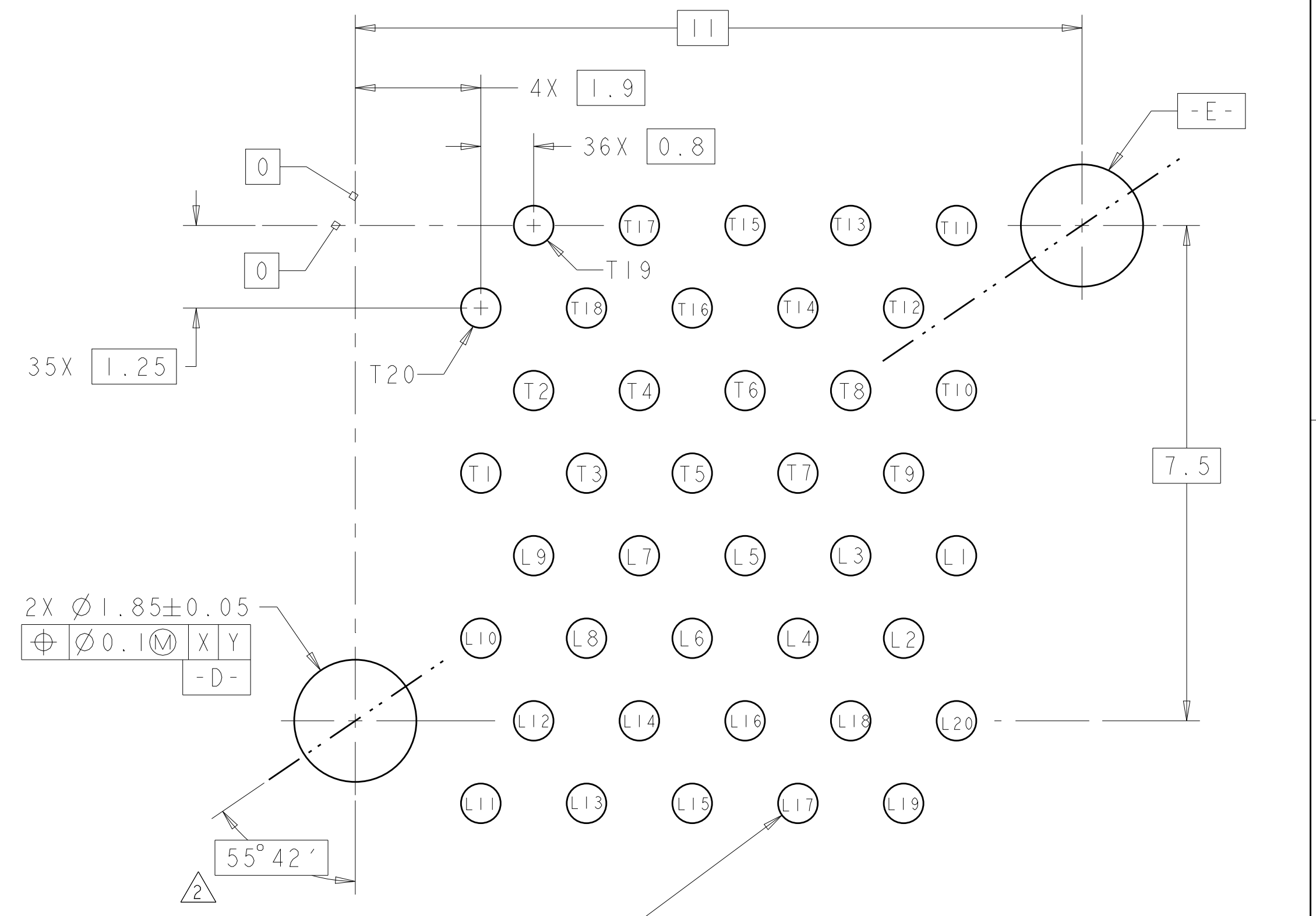
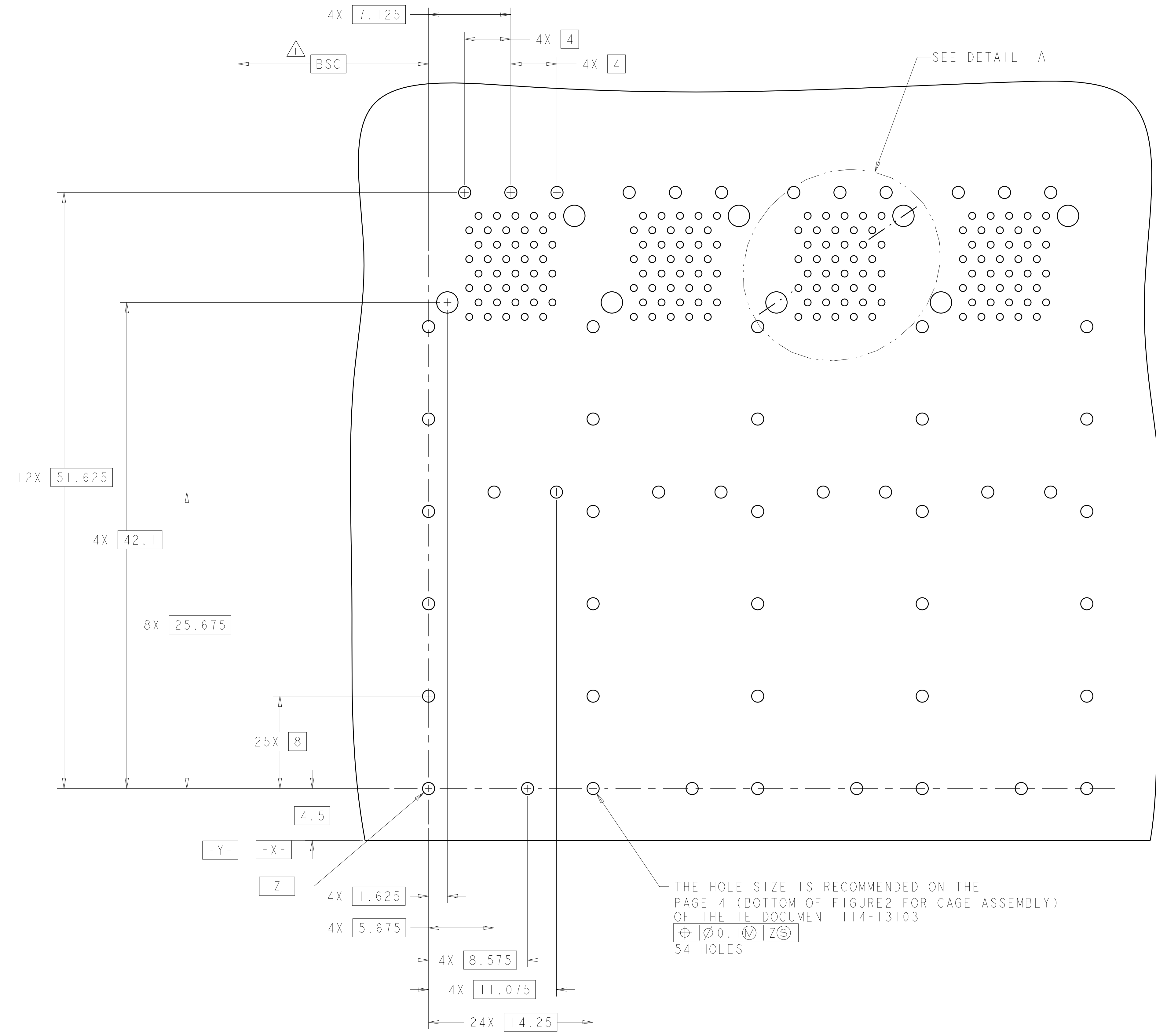
2170286-1
SCALE 2:1

- 1 DATUM AND BASIC DIMENSION TO BE DETERMINED BY CUSTOMER.
- 2 INTERPRETATION OF DATUM REFERENCE FRAME IN ACCORDANCE WITH SECT 4.4.1.1 OF ASME Y14.5M-1994.
- 3 TOP OF PT CONNECTOR TO BE 0-0.15 FROM INSIDE SURFACE OF CAGE.
- 4 COPPER ALLOY.
- 5 NICKEL SILVER ALLOY (NO PLATING).
- 6 LCP, HIGH TEMPERATURE, UL 94V-0 RATED, BLACK.
- 7 POLYESTER, UL 94V-0 RATED, BLACK.
- 8 CONTACT MATING AREA: SURFACE TREATMENT OVER 0.76um MIN GOLD PER ASTM B 488 OVER 1.27um MIN NICKEL PER QQ-N-290. NEEDLE EYE: 1.25um MIN TIN PER ASTM B 545 OVER 1.27um MIN NICKEL PER QQ-N-290. REMAINDER OF CONTACT: 0.76um MIN NICKEL PER QQ-N-290.
- 9 DATE CODE AND PART NUMBER IN APPROXIMATE LOCATION SHOWN

2170286-1
PART NUMBER

THIS DRAWING IS A CONTROLLED DOCUMENT.		DWN: JASON YANG ZOMAR2012	TE Connectivity
DIMENSIONS: mm		CHK: ALEX CAI ZOMAR2012	
TOLERANCES UNLESS OTHERWISE SPECIFIED:		APVD: ALEX CAI ZOMAR2012	NAME: CAGE AND PT CONNECTOR ASSEMBLY, 2x4, PRESS FIT, LOW PROFILE, SFP
0 PLC ±	1 PLC ±0.1	PRODUCT SPEC: 108-2161	SIZE: CAGE CODE DRAWING NO: A100779C=2170286
2 PLC ±	3 PLC ±	APPLICATION SPEC: 114-13103	RESTRICTED TO: -
4 PLC ±	ANGLES ±	WEIGHT: -	SCALE: 4:1 SHEET 1 OF 3 REV B
MATERIAL: -	FINISH: -	Customer Drawing	

LOC	DIST	REV	DATE	BY	APPV
ES	00				
SEE SHEET 1					



THE HOLE SIZE IS RECOMMENDED ON THE PAGE 4 (TOP OF FIGURE2 FOR CONNECTOR) OF THE TE DOCUMENT 114-13103
 $\text{Ø} \ 0.08 \text{M} \ | \ \text{D} \ \text{S} \ | \ \text{E} \ \text{S}$
 40X4 HOLES

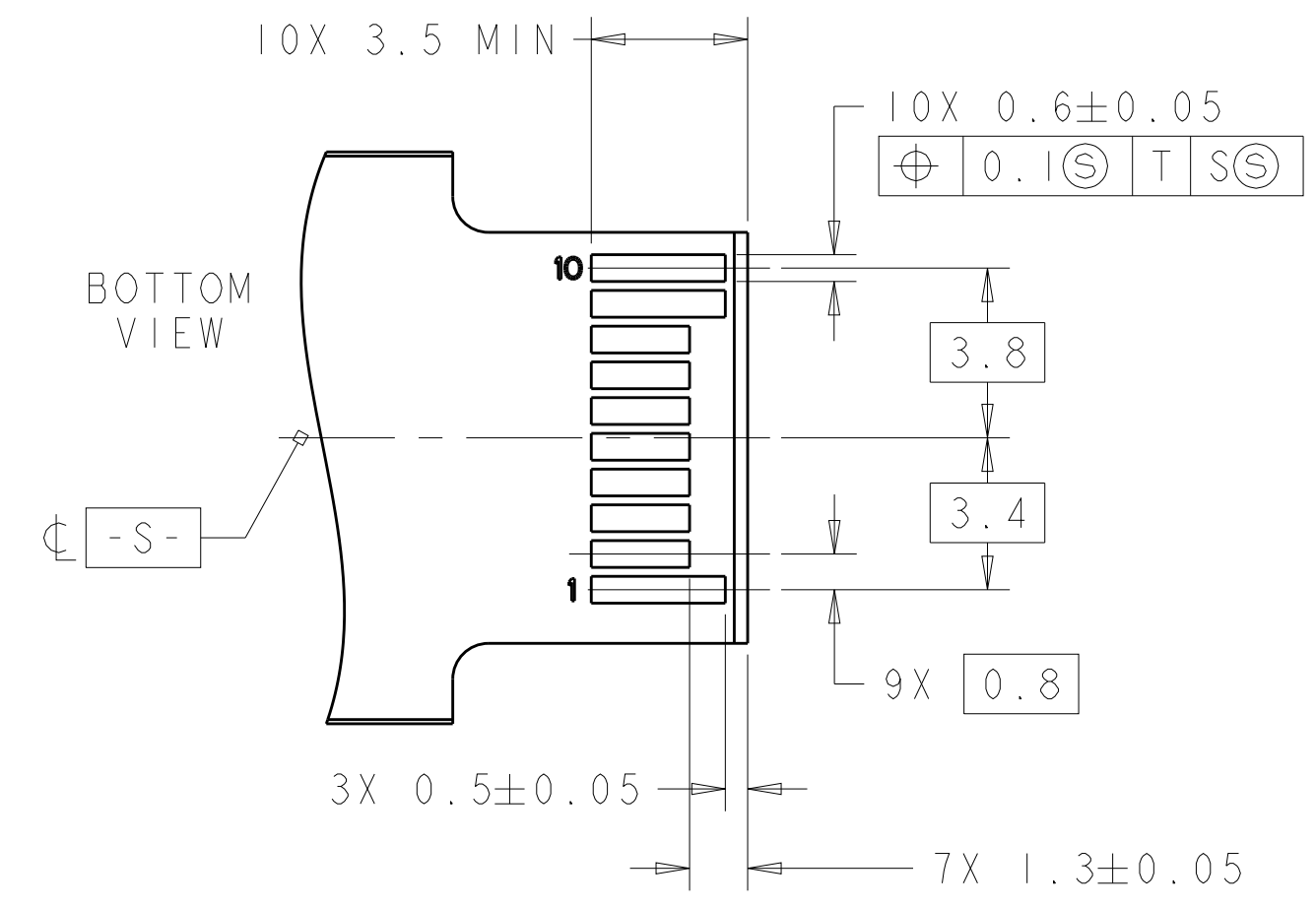
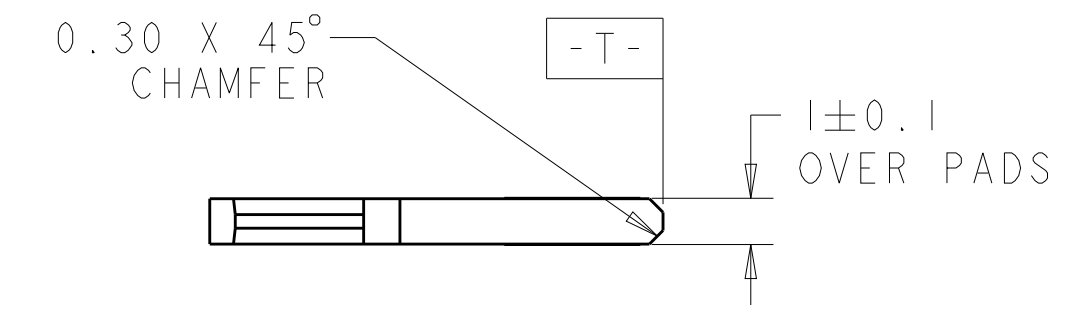
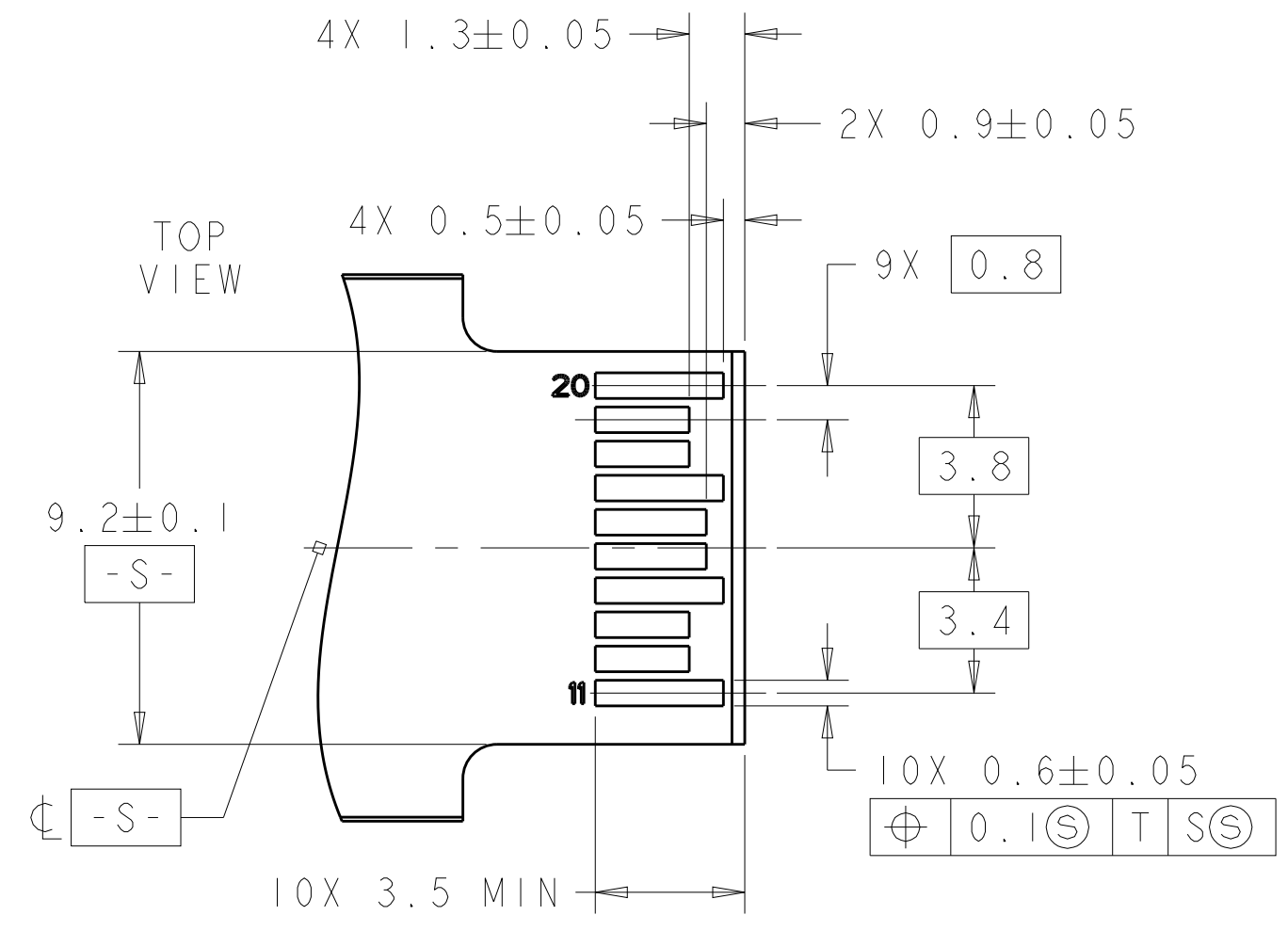
DETAIL A
 SCALE 15:1

THE HOLE SIZE IS RECOMMENDED ON THE PAGE 4 (BOTTOM OF FIGURE2 FOR CAGE ASSEMBLY) OF THE TE DOCUMENT 114-13103
 $\text{Ø} \ 0.1 \text{M} \ | \ \text{Z} \ \text{S}$
 54 HOLES

RECOMMENDED PCB CONFIGURATION
 SCALE 5:1

THIS DRAWING IS A CONTROLLED DOCUMENT.		DWN: JASON YANG ZOMAR2012	TE Connectivity
DIMENSIONS: mm		CHK: ALEX CAI ZOMAR2012	
TOLERANCES UNLESS OTHERWISE SPECIFIED:		APPV: ALEX CAI ZOMAR2012	NAME: CAGE AND PT CONNECTOR ASSEMBLY, 2x4, PRESS FIT, LOW PROFILE, SFP
0 PLC ±	1 PLC ±0.1	PRODUCT SPEC	108-2161
2 PLC ±	3 PLC ±	APPLICATION SPEC	114-13103
4 PLC ±	ANGLES ±	SIZE: CAGE CODE DRAWING NO	RESTRICTED TO
MATERIAL	FINISH	WEIGHT	A100779C=2170286
Customer Drawing		SCALE: 4:1	SHEET 2 OF 3 REV B

LOC	DIST	REVISIONS					
ES	00	P	LTN	DESCRIPTION	DATE	DWN	APVD
		-		SEE SHEET 1			



RECOMMENDED LAYOUT FOR
 MATING TRANSCEIVER PCB
 SCALE 6:1

THIS DRAWING IS A CONTROLLED DOCUMENT.		DWN: JASON YANG ZOMAR2012	TE Connectivity
DIMENSIONS: mm		CHK: ALEX CAI ZOMAR2012	
TOLERANCES UNLESS OTHERWISE SPECIFIED:		APVD: ALEX CAI ZOMAR2012	NAME: CAGE AND PT CONNECTOR ASSEMBLY, 2x4, PRESS FIT, LOW PROFILE, SFP
0 PLC ±	1 PLC ±0.1	PRODUCT SPEC	108-2161
2 PLC ±	3 PLC ±	APPLICATION SPEC	114-13103
4 PLC ±	ANGLES ±	FINISH	WEIGHT
MATERIAL		Customer Drawing	SCALE 1:1 SHEET 3 OF 3 REV B