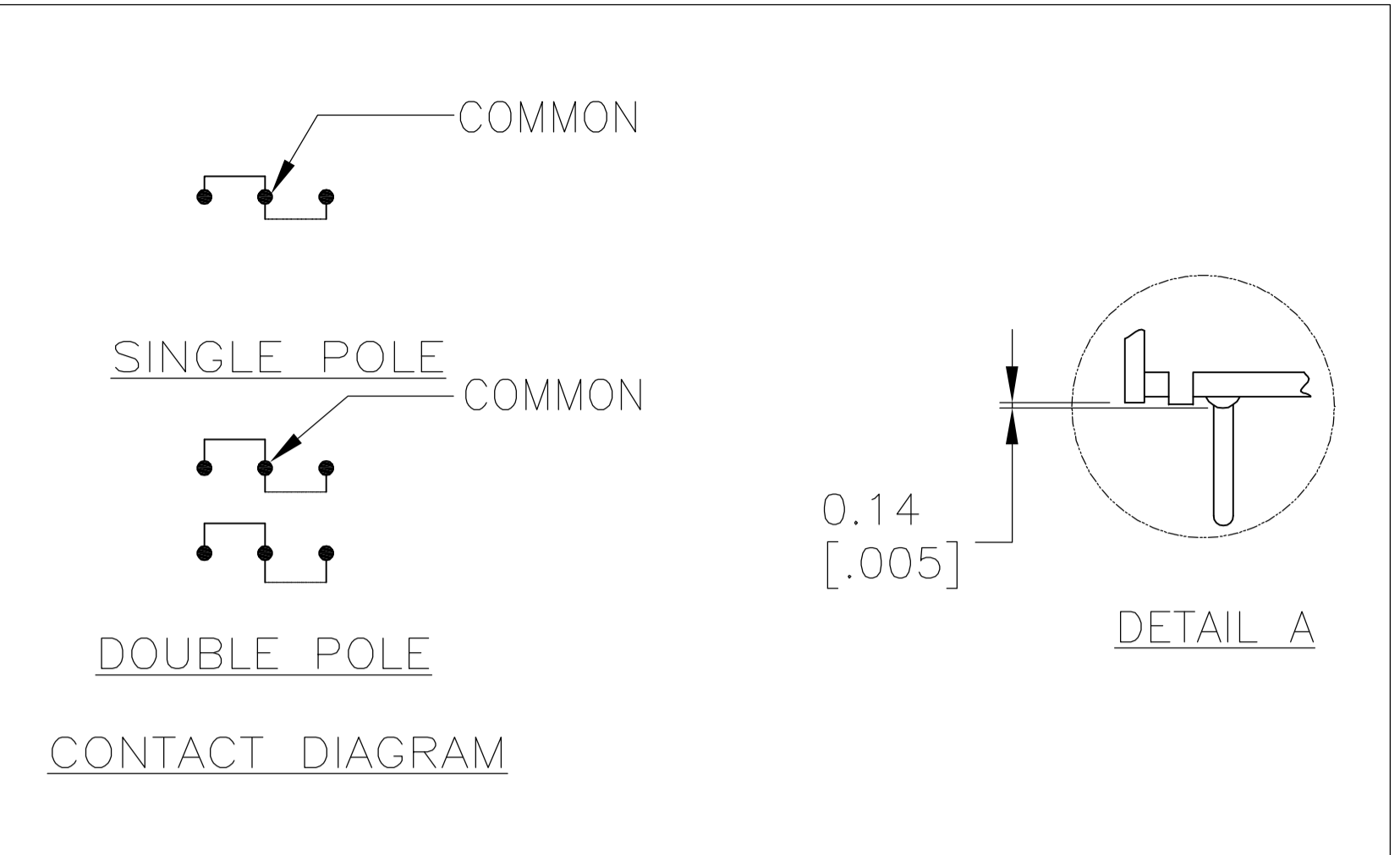


RECOMMENDED HOLE LAYOUT
 TOLERANCE ± 0.002 UNLESS OTHERWISE NOTED

SSB 22



- NOTES:
- ALL MATERIALS AND FINISHES SHALL COMPLY WITH EU DIRECTIVE 2002/95/EC OF 27JAN2003 (ROHS).
 - SEE SHEET 2 OF 2 FOR SSB42 AND SSB**R PART NUMBERS.

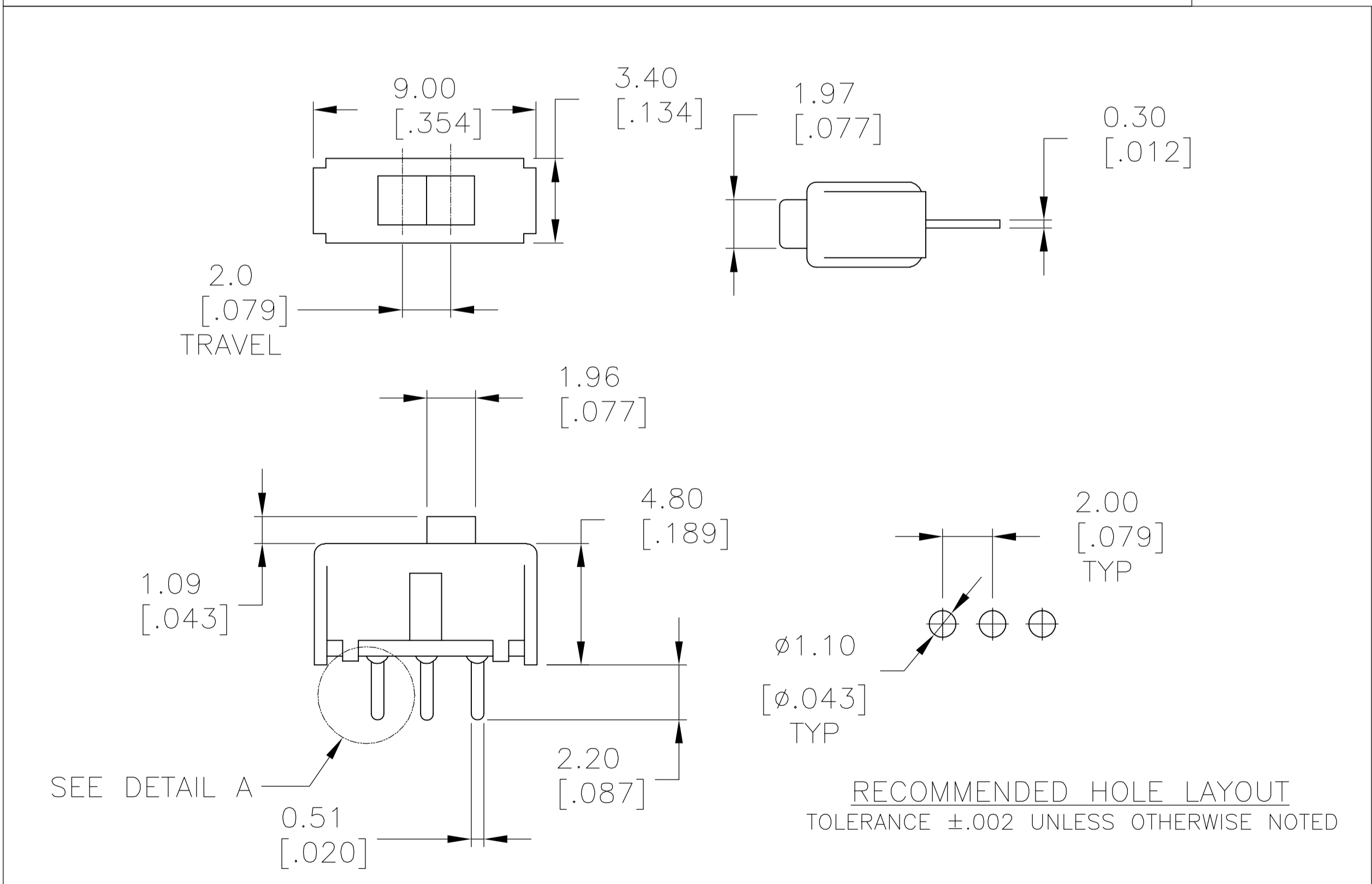
SPECIFICATIONS:
 MAKE BEFORE BREAK

MATERIALS:
 FRAME, STEEL-PLATE TIN OVER NICKEL
 TERMINAL BOARD, PHENOLIC, NATURAL
 ACTUATOR, POM, UL94-HB, BLACK
 MOVING CONTACT, COPPER ALLOY-PLATE SILVER OR GOLD OVER NICKEL
 FIXED CONTACT/TERMINAL, COPPER ALLOY-PLATE SILVER OR GOLD OVER NICKEL

ELECTRICAL:
 CONTACT RATING, (SILVER) 100mA@30VDC, (GOLD) .4VA @ 20V DC
 INITIAL CONTACT RESISTANCE, 30 MILLIOHMS MAX
 FINAL CONTACT RESISTANCE, 100 MILLIOHMS MAX
 INSULATION RESISTANCE, 100 MEGOHMS MIN.
 DIELECTRIC STRENGTH, 500 V AC for 1 MINUTE

MECHANICAL:
 ACTUATION FORCE, 250 +/-150 GRAMS
 ACTUATION TRAVEL, .079
 LIFE EXPECTANCY, 10,000 CYCLES

ENVIRONMENTAL:
 OPERATING TEMPERATURE, -20 to +85 DEGREES C
 STORAGE TEMPERATURE, -40 to +100 DEGREES C
 HUMIDITY AND TEMPERATURE CYCLING PER EIA-364-31B, METHOD III (SILVER)
 MIXED FLOWING GAS PER EIA-364-65A, CLASS IIIA, 20 DAYS (GOLD)
 THERMAL SHOCK, PER EIA-364-32C, -40 to +100 DEGREES C
 SOLDERABILITY, PER EIA-364-52, CLASS 2, CATEGORY 1, 95% MINIMUM COVERAGE
 RESISTANCE TO SOLDER HEAT,
 PER 109-202, CONDITION B (240 +/-5 C FOR 10 +2/-0 SECONDS)



RECOMMENDED HOLE LAYOUT
 TOLERANCE ± 0.002 UNLESS OTHERWISE NOTED

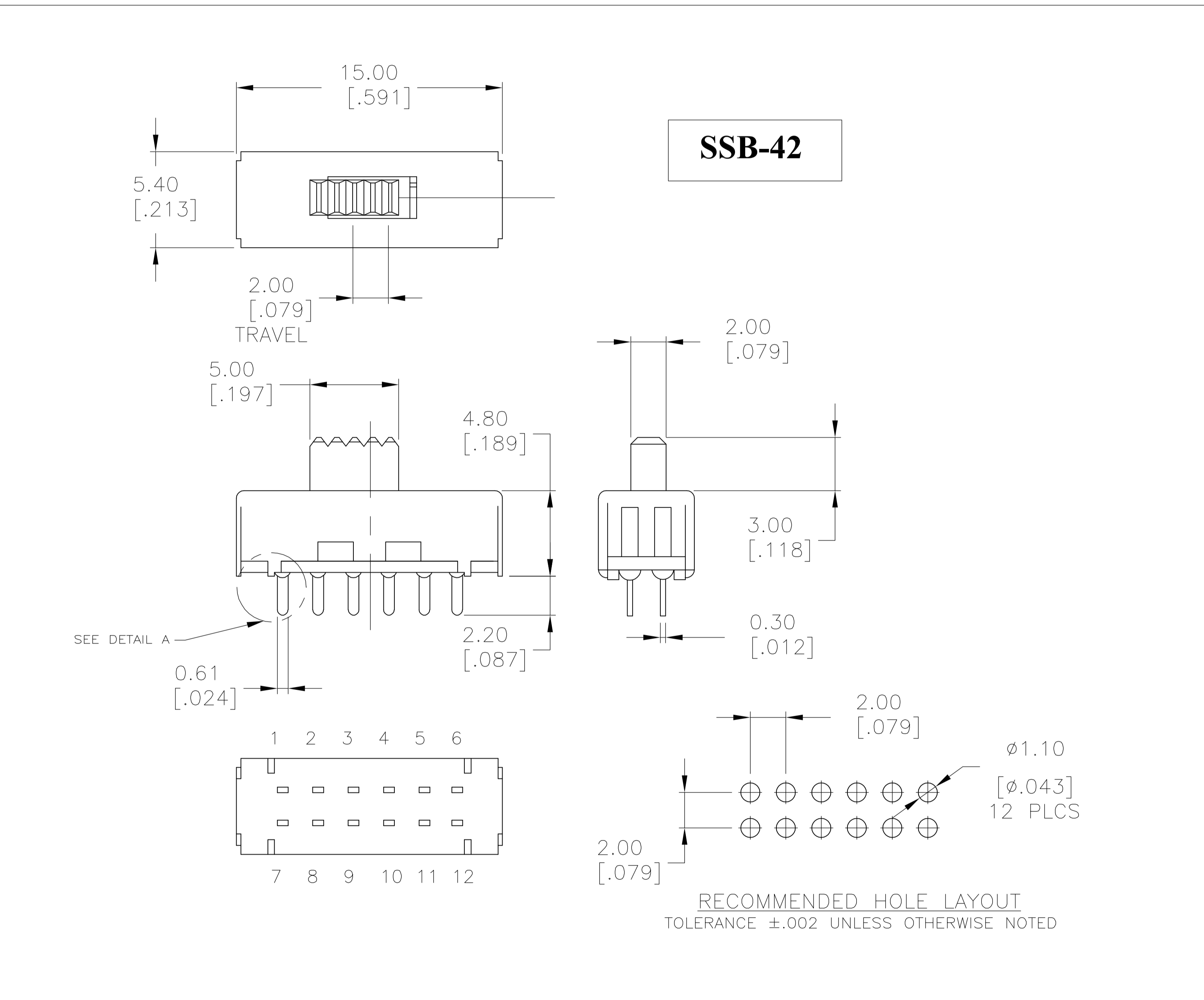
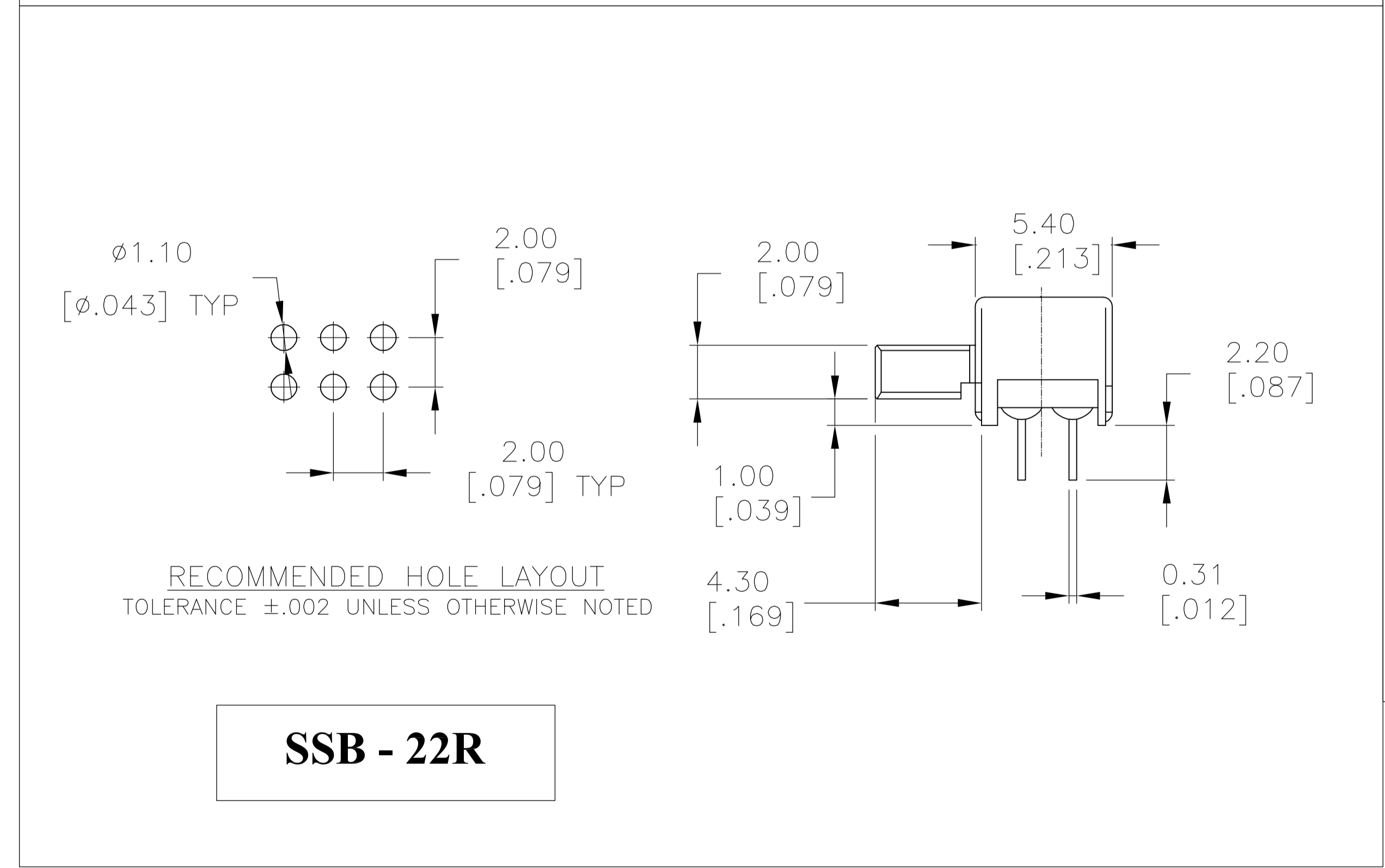
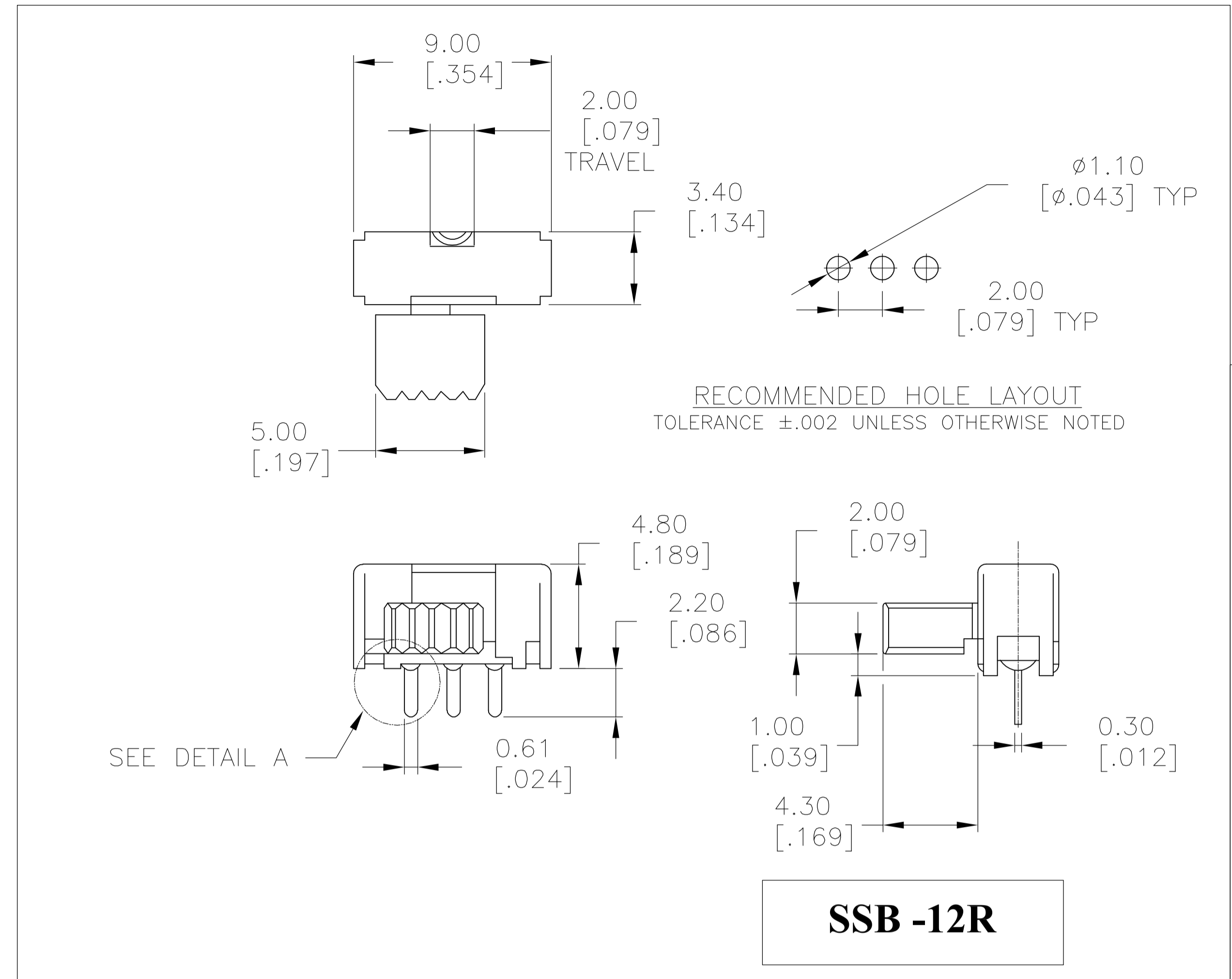
SSB - 12

1-2, 4-5 7-8, 10-11	2-3, 5-6 8-9, 11-12	GOLD	4PDT	SSB42G	2-1437575-9
1-2, 4-5 7-8, 10-11	2-3, 5-6 8-9, 11-12	SILVER	4PDT	SSB42	2-1437575-8
1-2, 4-5 1-2, 4-5	2-3, 5-6 2-3, 5-6	GOLD	DPDT	SSB22RG	2-1437575-5
		SILVER	DPDT	SSB22R	2-1437575-4
1-2, 4-5 1-2, 4-5	2-3, 5-6 2-3, 5-6	GOLD	DPDT	SSB22G	2-1437575-3
		SILVER	DPDT	SSB22	2-1437575-2
1-2 1-2	2-3 2-3	GOLD	SPDT	SSB12RG	2-1437575-1
		SILVER	SPDT	SSB12R	2-1437575-0
1-2 1-2	2-3 2-3	GOLD	SPDT	SSB12G	1-1437575-9
		SILVER	SPDT	SSB12	1-1437575-8
LEFT	RIGHT	PLATING	TYPE	ALCO P/N	TYCO P/N

THIS DRAWING IS A CONTROLLED DOCUMENT. **tyco Electronics** Tyco Electronics Corporation, Harrisburg, Pa 17105-3608

DIMENSIONS: mm [INCHES]	TOLERANCES UNLESS OTHERWISE SPECIFIED:	0 PLC ± -	1 PLC ± -	2 PLC ± 0.25[.010]	3 PLC ± -	4 PLC ± -	ANGLES ± 1'
MATERIAL: SEE ABOVE	FINISH: -	WEIGHT: -	SIZE: A1	CAGE CODE: 00779	DRAWING NO: 2-1437575-3	RESTRICTED TO: -	CUSTOMER DRAWING

SCALE: 6:1 SHEET 1 OF 2 REV B



THIS DRAWING IS A CONTROLLED DOCUMENT.		DIN	B.S.VISWESWARA	25SEP05	tyco Electronics	Tyco Electronics Corporation Harrisburg, Pa 17105-3608	
DIMENSIONS: mm [INCHES]		CHK				NAME	SLIDE SWITCH, LOW PROFILE SSB SERIES
TOLERANCES UNLESS OTHERWISE SPECIFIED:		APVD			PRODUCT SPEC	SIZE	CAGE CODE
0 PLC	\pm				APPLICATION SPEC	DRAWING NO	RESTRICTED TO
1 PLC	\pm					A1	
2 PLC	\pm					00779	
3 PLC	$\pm 0.25[.010]$					2-1437575-3	
4 PLC	\pm						
ANGLES	$\pm 1'$						
MATERIAL SEE ABOVE	FINISH	WEIGHT			CUSTOMER DRAWING	SCALE	SHEET
						6:1	2 OF 2