

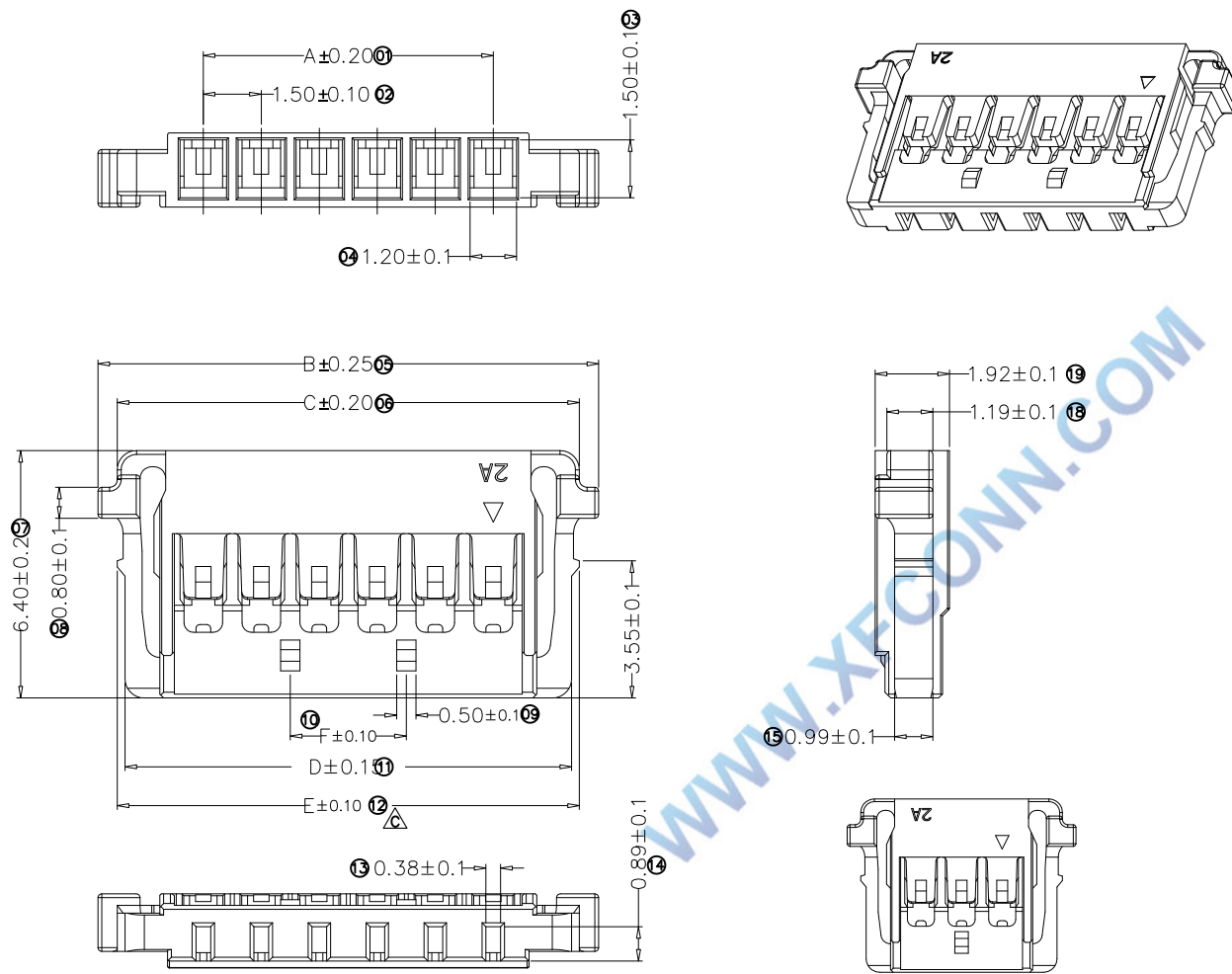
SPECIFICATIONS

- 1.Voltage rating: 150V AC, DC
- 2.Current rating: 3A, AC, DC
- 3.Withstanding Voltage: 500V AC/minute
- 4.Insulation resistance:1000M min
- 5.Temperature range: -25 ° C-+85 ° C
- 6.Contact resistance: 20m max

HOUSING

Housing Material:Nylon66 UL94V-0(2)
 Accepts :T1503 terminal
 Mates with: M1503 series header
 Poles : 02-12P
 Part No.: P1503-xx-BK

Pin位数



Poles	Dimensions(mm)					
	A	B	C	D	E	F
02	1.50	6.95	5.95	5.55	5.85	
03	3.00	8.45	7.45	7.05	7.35	
04	4.50	9.95	8.95	8.55	8.85	
05	6.00	11.45	10.45	10.05	10.35	3.00
06	7.50	12.95	11.95	11.55	11.85	3.00
07	9.00	14.45	13.45	13.05	13.35	4.50
08	10.50	15.95	14.95	14.55	14.85	6.00
09	12.00	17.45	16.45	16.05	16.35	7.50
10	13.50	18.95	17.95	17.55	17.85	9.00
11	15.00	20.45	19.45	19.05	19.35	10.50
12	16.50	21.95	20.95	20.55	20.85	12.00

				TOLERANCE UNLESS OTHERWISE		DRAWN	CK tan	XFCN兴飞连接器有限公司 CONNECTORS XFCN CONNECTORS CO., LTD.		SHEET	1/1
				X.	±0.30	X°	±5°			CHKD	DATE
				.X	±0.20	.X°	±2°	APPD	PRODUCT NAME	1.50mm Crimp Style Connectors	
				.XX	±0.08	.XX°	±1°	VIEW	PART. NO.	P1503-xx-BK	
				.XXX	±0.03	.XXX°	±0.5°			DWG NO.	009
A0	MODIFICATION		DRAW	DATE							