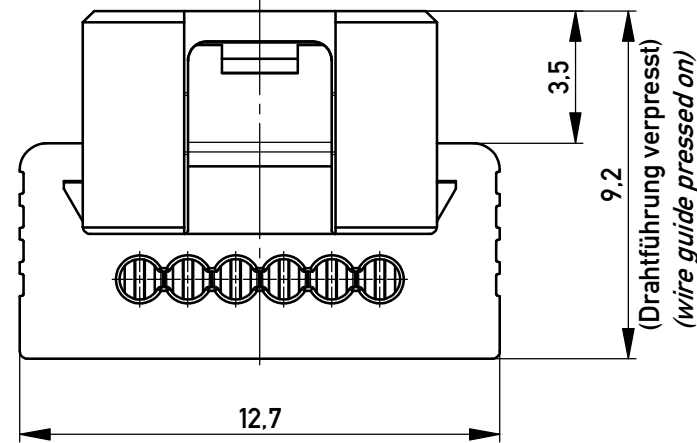
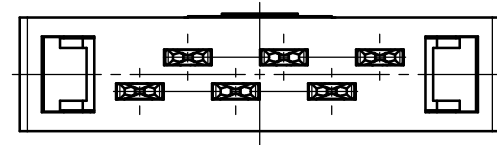


Flachbandkabelführung: rot
wire guide: red

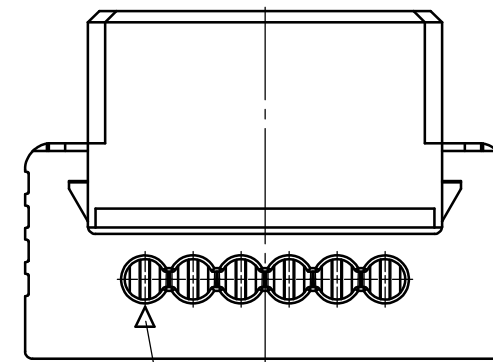
11.4
mit aufgesetzter Drahtführung
(Anlieferungszustand)
with wire guide mounted
(state at time of supply)



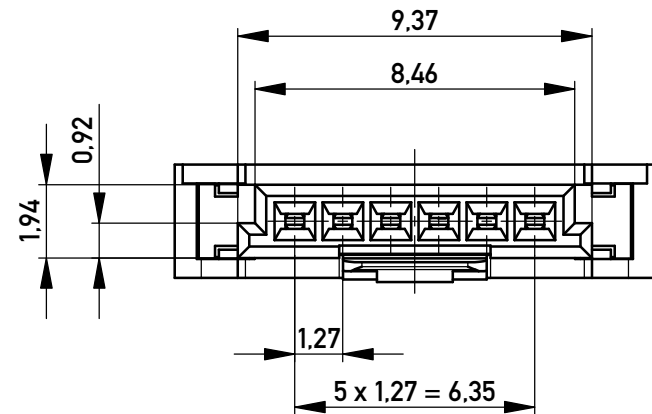
3.5
9.2
(Drahtführung verpresst)
(wire guide pressed on)



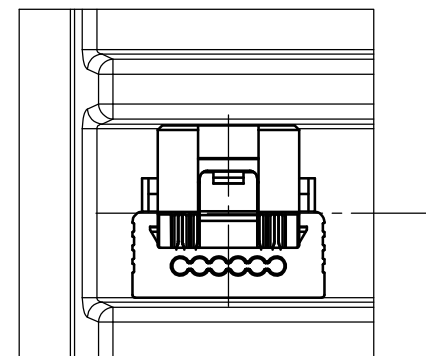
3



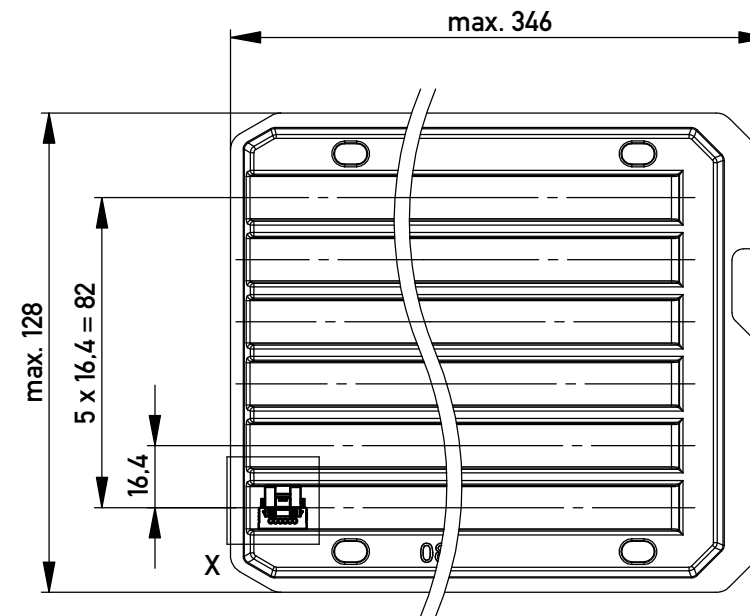
Kontaktbezeichnung
contact marking



Einzelheit X - detail X
M 2:1



Verpackt in Tray - tray packaging
Verpackungseinheit 144 Stück - packaging unit 144 pcs



max. 128

5 x 16.4 = 82

16.4

max. 346

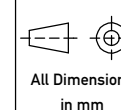
X

Copyright by ERNI GmbH
Proprietary notice pursuant to ISO 16016 to be observed.

Information:
nur mit Hilfsmittel lösbar
only with tool unlockable

All rights reserved.
Only for Information.
To ensure that this is the latest
version of this drawing, please
contact one of the ERNI companies
before using.

Tolerances



All Dimensions
in mm

Scale 5:1

Subject to modification without
prior notice.
Drawing will not be updated.

Designation

1,27 SRC P SKV, 6-polig
1,27 SRC P IDC, 6-pin

www.ERNI.com

100300870001

K

A3

c 10.09.2010
Index Date

Class SRCP