

PLEASE CHECK WWW.MOLEX.COM FOR LATEST PART INFORMATION

Part Number: [0855425001](#)
Status: **Active**
Overview: [modular_plugs_jacks](#)
Description: Modular Jack, Right Angle, Low Profile, Shielded, SMT, 8/8

Documents:

[3D Model](#) [Product Specification PS-95622-001 \(PDF\)](#)
[Drawing \(PDF\)](#) [RoHS Certificate of Compliance \(PDF\)](#)
[Application Specification \(PDF\)](#)

General

Product Family	Modular Jacks/Plugs
Series	85542
Comments	Enhanced panel grounding tabs
Component Type	PCB Jack
Magnetic	No
Overview	modular_plugs_jacks
Performance Category	3
Power over Ethernet (PoE)	N/A
Product Name	RJ45

Physical

Boot Color	N/A
Color - Resin	Black
Durability (mating cycles max)	500
Inverted / Top Latch	No
Lightpipes/LEDs	None
Material - Metal	Brass, Phosphor Bronze
Material - Plating Mating	Gold
Material - Plating Termination	Tin
Material - Resin	High Temperature Thermoplastic
Orientation	Right Angle (Side Entry)
PCB Locator	Yes
PCB Retention	Yes
Packaging Type	Embossed Tape on Reel
Pitch - Mating Interface (in)	0.040 In
Pitch - Mating Interface (mm)	1.02 mm
Pitch - Term. Interface (in)	0.050 In
Pitch - Term. Interface (mm)	1.27 mm
Plating min: Mating (µin)	50.8
Plating min: Mating (µm)	1.27
Plating min: Termination (µin)	76
Plating min: Termination (µm)	1.9
Ports	1
Positions / Loaded Contacts	8/8
Surface Mount Compatible (SMC)	Yes
Temperature Range - Operating	-40°C to +80°C
Termination Interface: Style	Surface Mount
Waterproof / Dustproof	No
Wire/Cable Type	N/A

Electrical

Current - Maximum per Contact	1.5A
Grounding to Panel	Additional Grounding Springs
Shielded	Yes
Voltage - Maximum	125V AC (RMS)

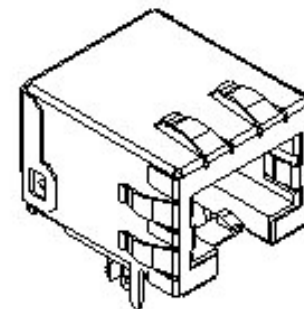


image - Reference only

Series

EU RoHS

**ELV and RoHS
Compliant**

REACH SVHC

Contains SVHC: No

Halogen-Free

Status

Halogen-Free

China RoHS



**Need more information on product
environmental compliance?**

Email productcompliance@molex.com
For a multiple part number RoHS Certificate of
Compliance, [click here](#)

Please visit the [Contact Us](#) section for any
non-product compliance questions.

Search Parts in this Series

[85542Series](#)

Mates With

FCC 68 Jacks

Solder Process Data

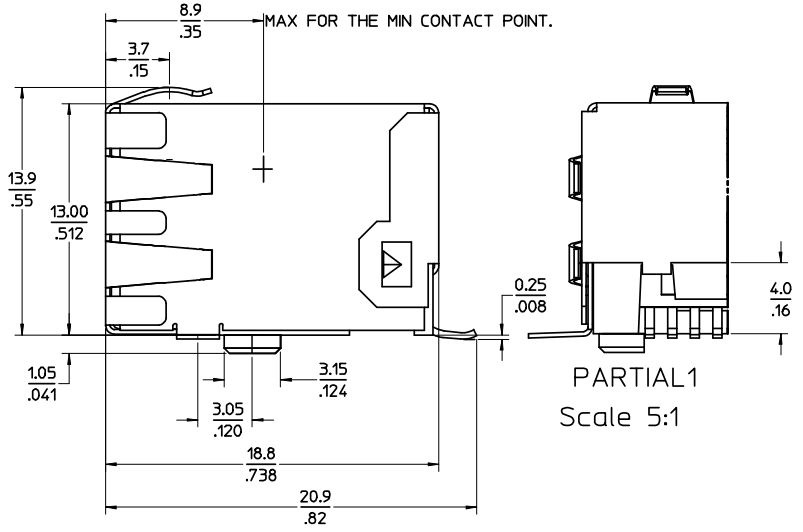
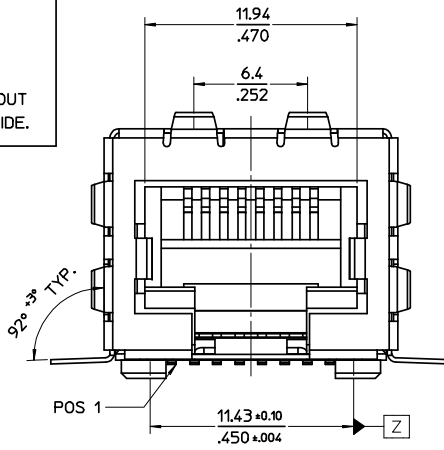
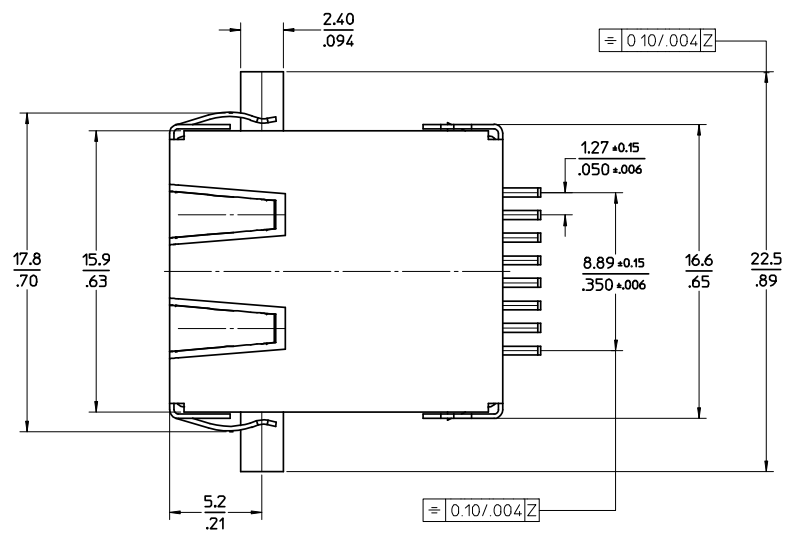
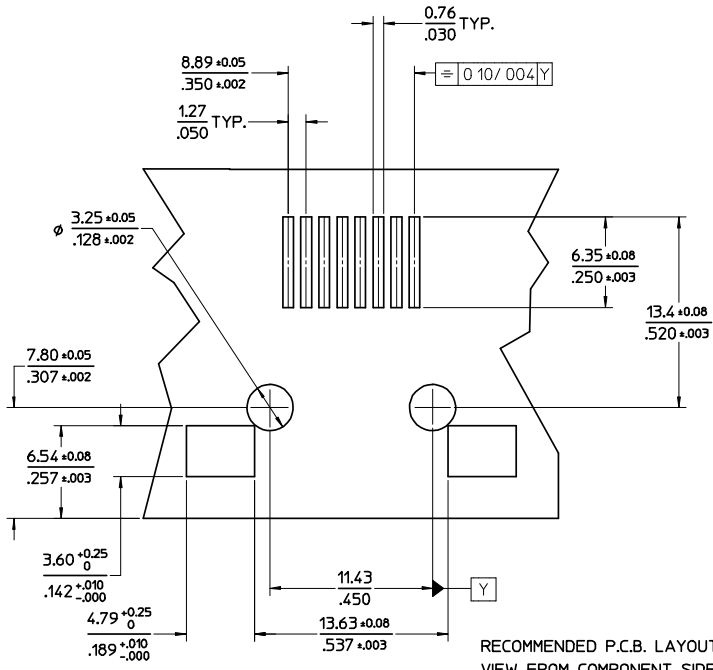
Duration at Max. Process Temperature (seconds)	45
Lead-free Process Capability	Reflow Capable (SMT only)
Max. Cycles at Max. Process Temperature	3
Process Temperature max. C	260

Material Info**Reference - Drawing Numbers**

Packaging Specification	PK-85542-002
Product Specification	PS-95622-001
Sales Drawing	SD-85542-501

This document was generated on 06/08/2010

PLEASE CHECK WWW.MOLEX.COM FOR LATEST PART INFORMATION



- NOTES:
- 1- JACK FOR MATING WITH SHIELDED PLUG (MOLEX 95043 SERIES)
 - 2- PRODUCT SPECIFICATION: PS-95622-001
 - 3- PACKAGING SPECIFICATION: PK-85542-002 (BLISTER ON REEL)
 - 4- COPLANARITY OF SIGNAL LEADS: 0.10 MAX

TECHNICAL SPECIFICATIONS:

MATERIAL:

HOUSING: LCP GLASS FILLED UL 94V0,
COLOR BLACK.

TERMINAL: PHOSPHOR BRONZE PLATED WITH:
0.00127/.000050 MIN GOLD IN CONTACT AREA,
0.00190/.000075 MIN PURE TIN IN TAIL AREA,
BOTH OVER 0.00127/.000050 MIN NICKEL OVERALL.

SHIELD: BRASS PLATED WITH 0.0020/.000078 MIN TIN.

CORRECT PRODUCT SPEC EC NO: E2008-0405 DRAWN: D.BYRNES 2008/01/30 CHKD: 2008/01/30 APPR: EOMAHONY 2008/01/31	QUALITY SYMBOLS ▽=0 ▽=0	GENERAL TOLERANCES (UNLESS SPECIFIED)		DIMENSION STYLE MM/IN		SCALE 5:1	DESIGN UNITS METRIC	THIRD ANGLE PROJECTION
		4 PLACES ± --- ± ---	3 PLACES ± --- ± .10	2 PLACES ± 0.25 ± .14	1 PLACE ± 0.35 ± ---	ANGULAR ± .5 °	DRAWN BY D. BYRNES	DATE 2006/09/21
REV	DESCRIPTION	DRAFT WHERE APPLICABLE MUST REMAIN WITHIN DIMENSIONS		APPROVED BY EOMAHONY		DATE 2006/09/06	MOLEX INCORPORATED	
		MATERIAL NO. 85542-5001		DATE 2006/09/06		DOCUMENT NO. SD-85542-501		SHEET NO. 1 OF 1